



PLUMBING DIAGRAMS



Common Plumbing Diagrams

				Pressure Control Method	None	Pressure Reducing			Pressure Sustaining			Pressure Sust. and Reducing		
Valve Body Type	<div style="display: flex; align-items: center; justify-content: center;"> </div>			Brand	.	Bermad			Bermad			Bermad		
				Material	.	Plastic	Brass		Plastic	Brass		Plastic	Brass	
				Control	.	3 Way	3 Way	2 Way	3 Way	3 Way	2 Way	3 Way	3 Way	2 Way
				Model/s	.									
	Type	Brand	Normal Valve State	.	PC-X-A	#X-16-G-R	PC20	PC-X-A	#X-16-G-R	PC30	PC-X-A	#X-16-G-R	#2-16-S-R & #3-16-O-R	
Threaded	Manual	SY3	-	1	11	21	31	41	51	61	71	-	-	
	Electric	Baccara (Gem-Sol)	Closed	2	12	22	-	-	-	-	-	-	-	
			Open	3	-	-	-	-	-	-	-	-	-	
		Bermad	Closed	4	14	-	-	44	-	-	-	74	-	-
			Open	5	15	-	-	-	-	-	-	-	-	-
	Hydraulic	Baccara (Geva)	Closed	6	16	-	-	46	-	-	76	-	-	
			Open	7	17	-	-	-	-	-	-	-	-	
	Hydraulic	SY3+"T"	Open	-	18	28	-	48	58	-	78	-	-	
			Galit	Closed	9	19	29	39	49	59	69	79	-	-
				Open	10	20	-	-	-	-	-	-	-	-
Flanged	Manual	SY3	-	101	111	121	131	141	151	161	171	181	-	
	Electric	Baccara (Gem-Sol)	Closed	102	112	122	132	142	152	162	172	182	-	
			Open	103	113	123	-	-	-	-	-	-	-	
		Bermad	Closed	104	114	124	134	144	154	164	174	184	-	
			Open	105	115	125	-	-	-	-	-	-	-	
	Hydraulic	Baccara (Geva)	Closed	106	116	126	136	146	156	166	176	186	-	
			Open	107	117	-	-	-	-	-	-	-	-	
	Hydraulic	SY3+"T"	Open	-	118	128	-	148	158	-	178	188	-	
			Galit	Closed	109	119	129	139	149	159	169	179	189	-
				Open	110	120	130	-	150	160	-	180	190	-
150mm	Manual	SY6	-	201	-	213	-	-	231	-	-	249	255	
	Electric	Baccara (Gem-Sol)	Closed	202	-	214	-	-	232	-	-	250	256	
			Open	203	-	215	-	-	233	-	-	251	257	
	Hydraulic	SY6+"T"	Open	-	-	216	-	-	234	-	-	252	258	
			Galit	Closed	205	-	217	-	-	235	-	-	253	259
	Open	206		-	218	-	-	236	-	-	254	260		
"Y"	Manual	SY3	-	261	264	-	-	-	-	-	-	-	-	
	Hydraulic	Shuttle T	Open	-	265	-	-	-	-	-	-	-	-	
			SY3+"T"	Open	-	266	-	-	-	-	-	-	-	

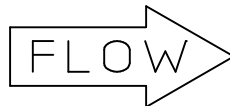
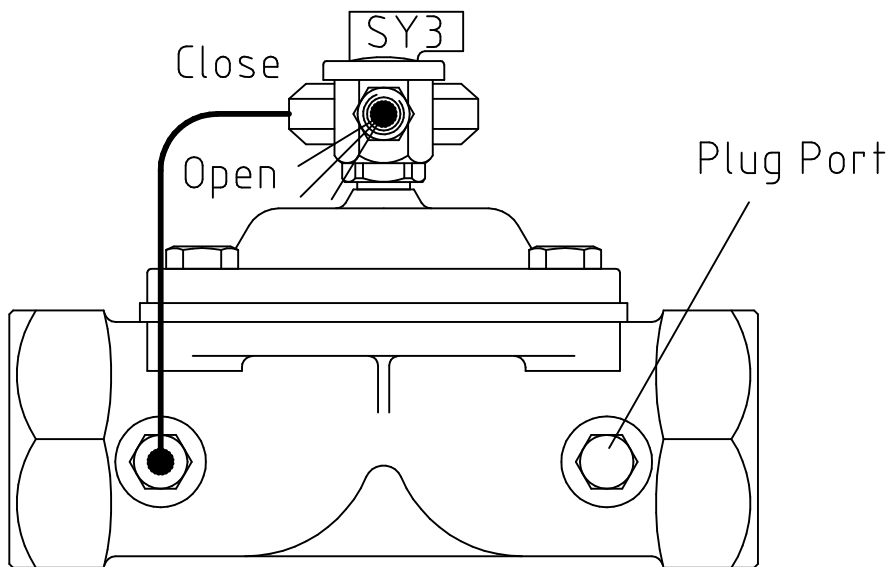
This is a select range of plumbing diagrams that represent the most popular configurations requested from Emflow Valves. It is not an exhaustive list and additional diagrams can be obtained upon request.



#001

PMB 51 Mannum
South Australia 5238
ph. (08) 8570 4251
fax. (08) 8570 4180

Manual Valve
Tap ~ SY3

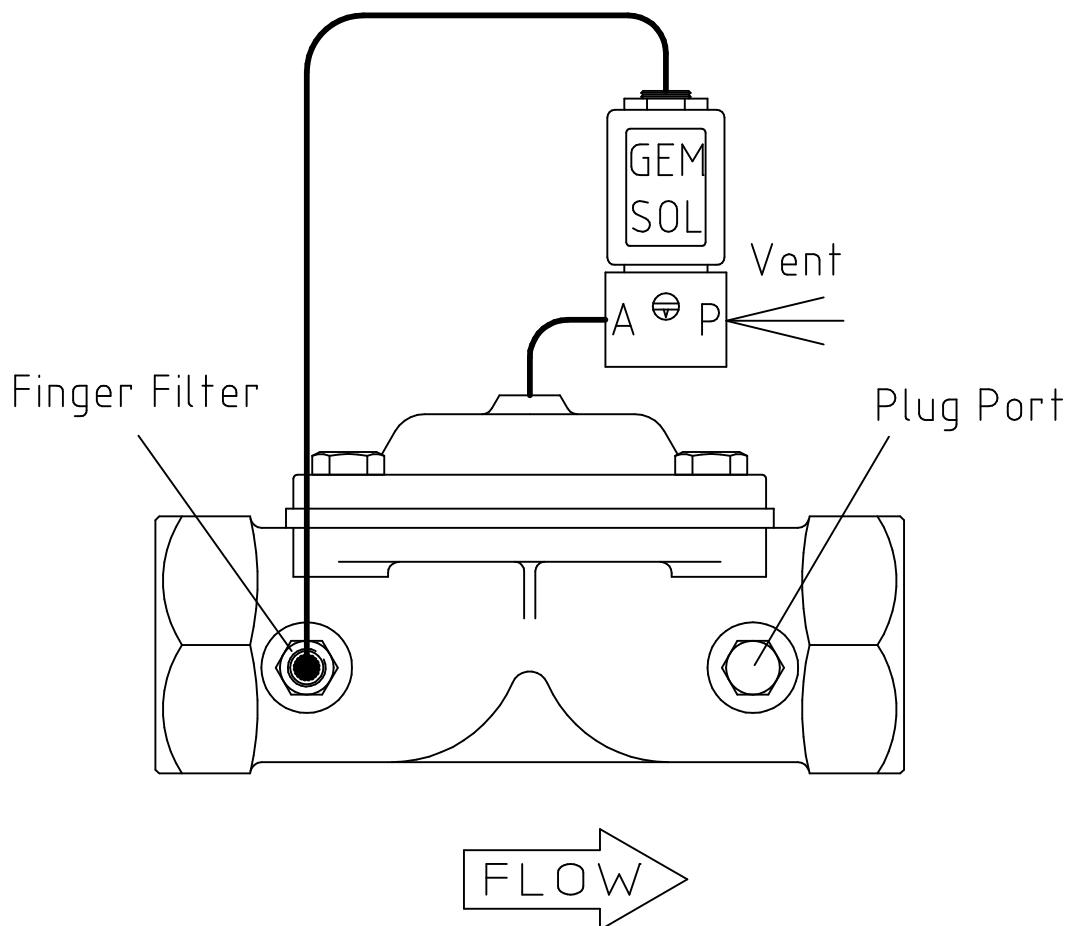




#002

PMB 51 Mannum
South Australia 5238
ph. (08) 8570 4251
fax. (08) 8570 4180

Electric, Normally Closed Valve
Solenoid ~ Baccara, Gem-Sol, 3-N/0 Base
Pilot ~ None

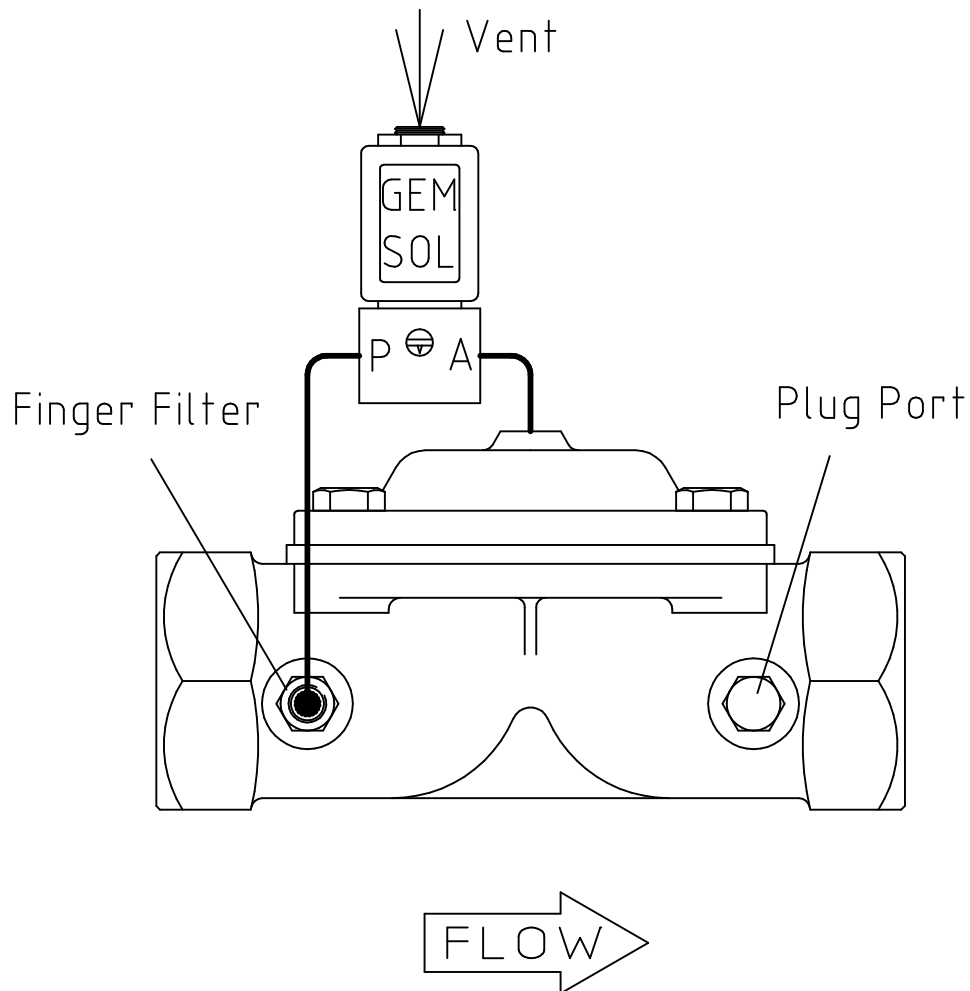




#003

PMB 51 Mannum
South Australia 5238
ph. (08) 8570 4251
fax. (08) 8570 4180

Electric, Normally Open Valve
Solenoid ~ Baccara, Gem-Sol, 3-N/O Base
Pilot ~ None

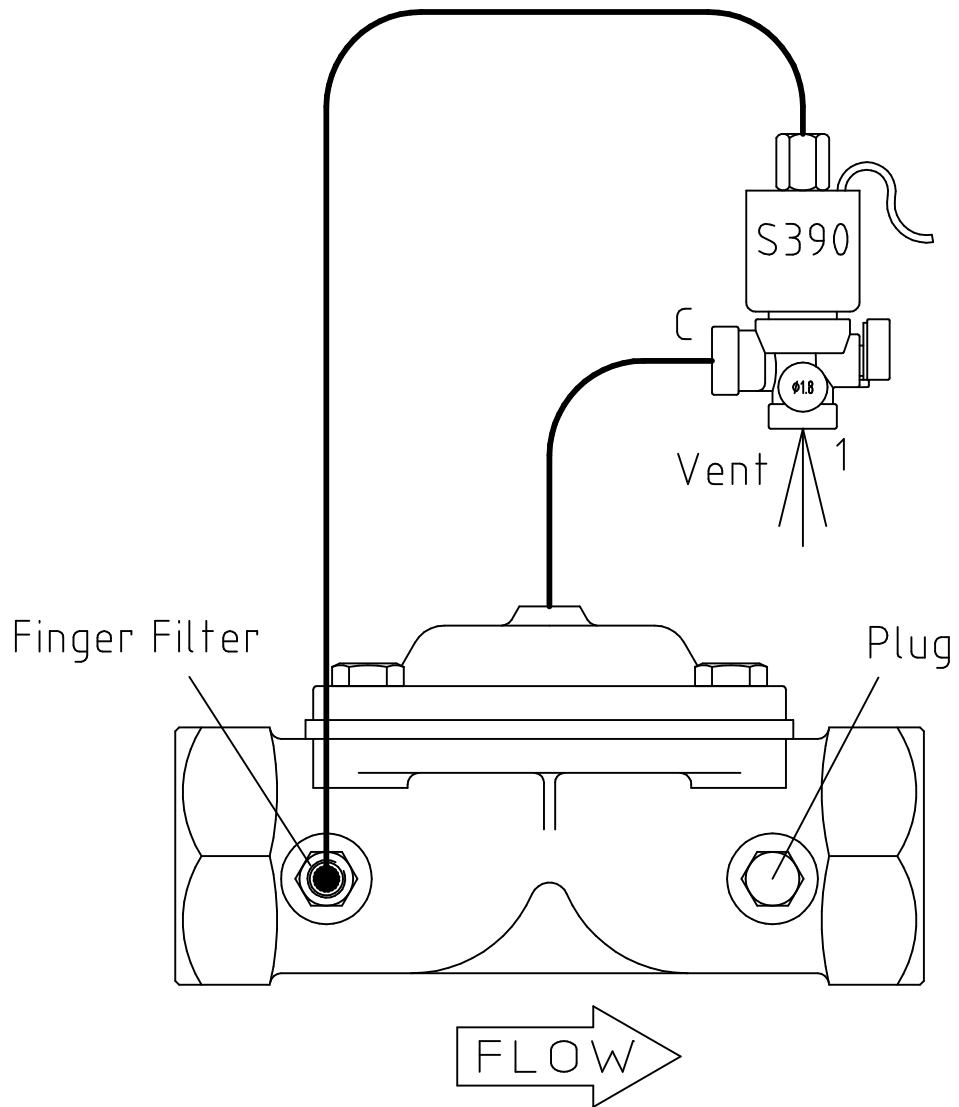




#004

PMB 51 Mannum
South Australia 5238
ph. (08) 8570 4251
fax. (08) 8570 4180

Electric, Normally Closed Valve
Solenoid ~ Bermad S-390-3-R
Pilot ~ None

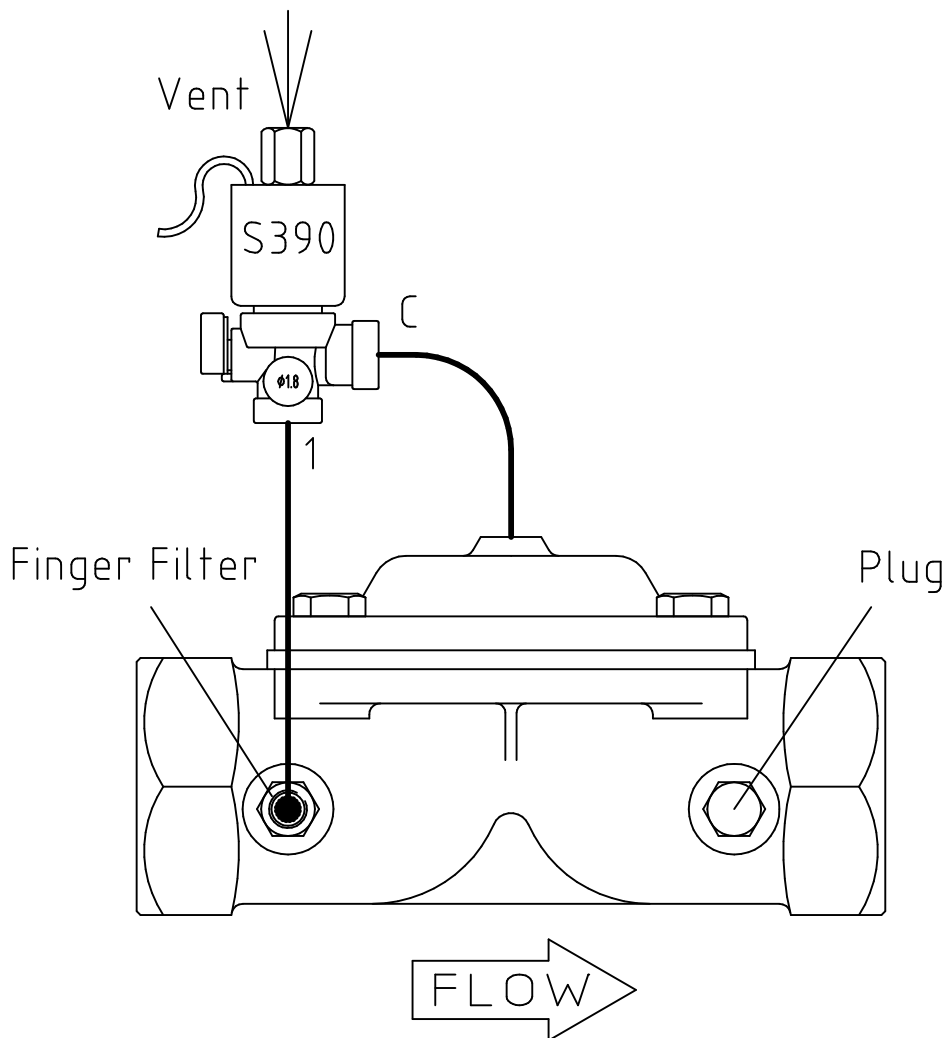




#005

PMB 51 Mannum
South Australia 5238
ph. (08) 8570 4251
fax. (08) 8570 4180

Electric, Normally Open Valve
Solenoid ~ Bermad S-390-3-R
Pilot ~ None

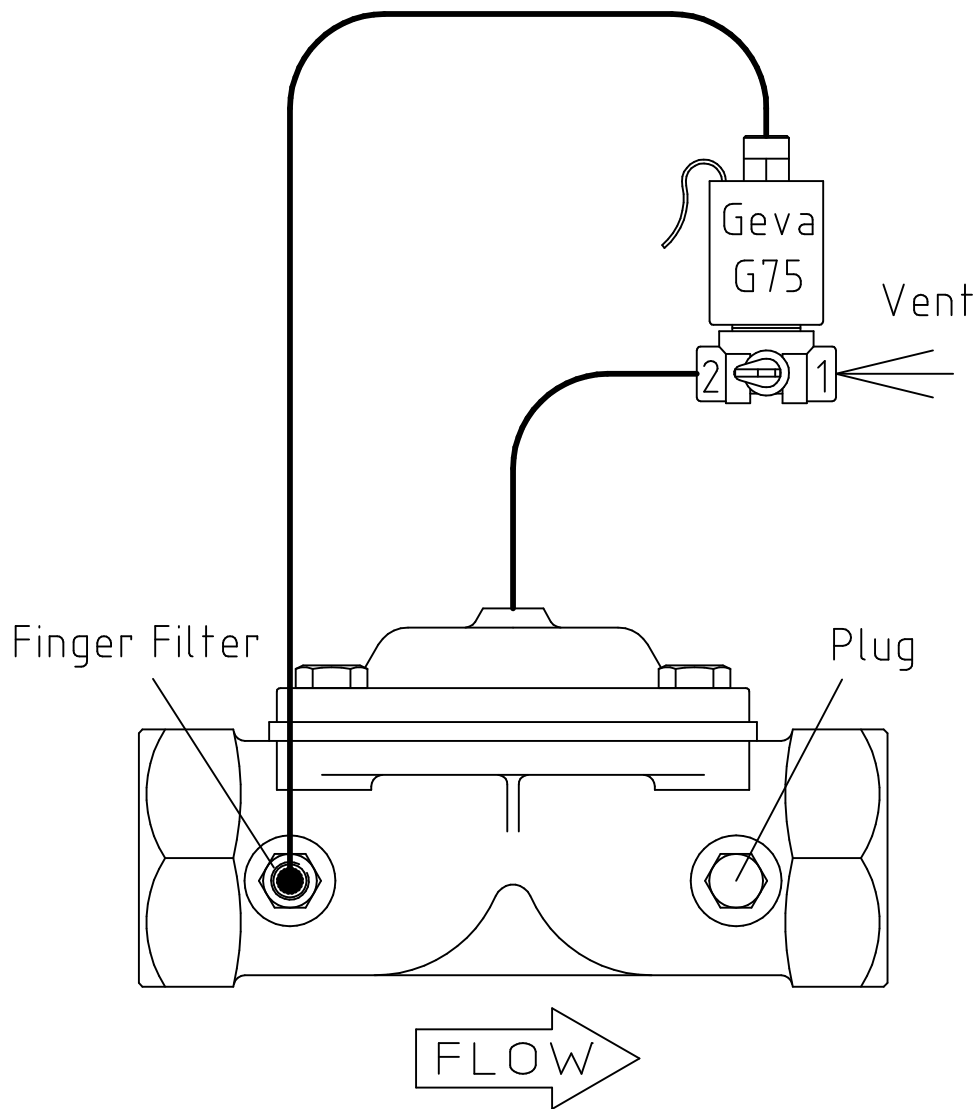




#006

PMB 51 Mannum
South Australia 5238
ph. (08) 8570 4251
fax. (08) 8570 4180

Electric, Normally Closed Valve
Solenoid ~ Baccara, Geva G75, 3WNO 1.6
Pilot ~ None

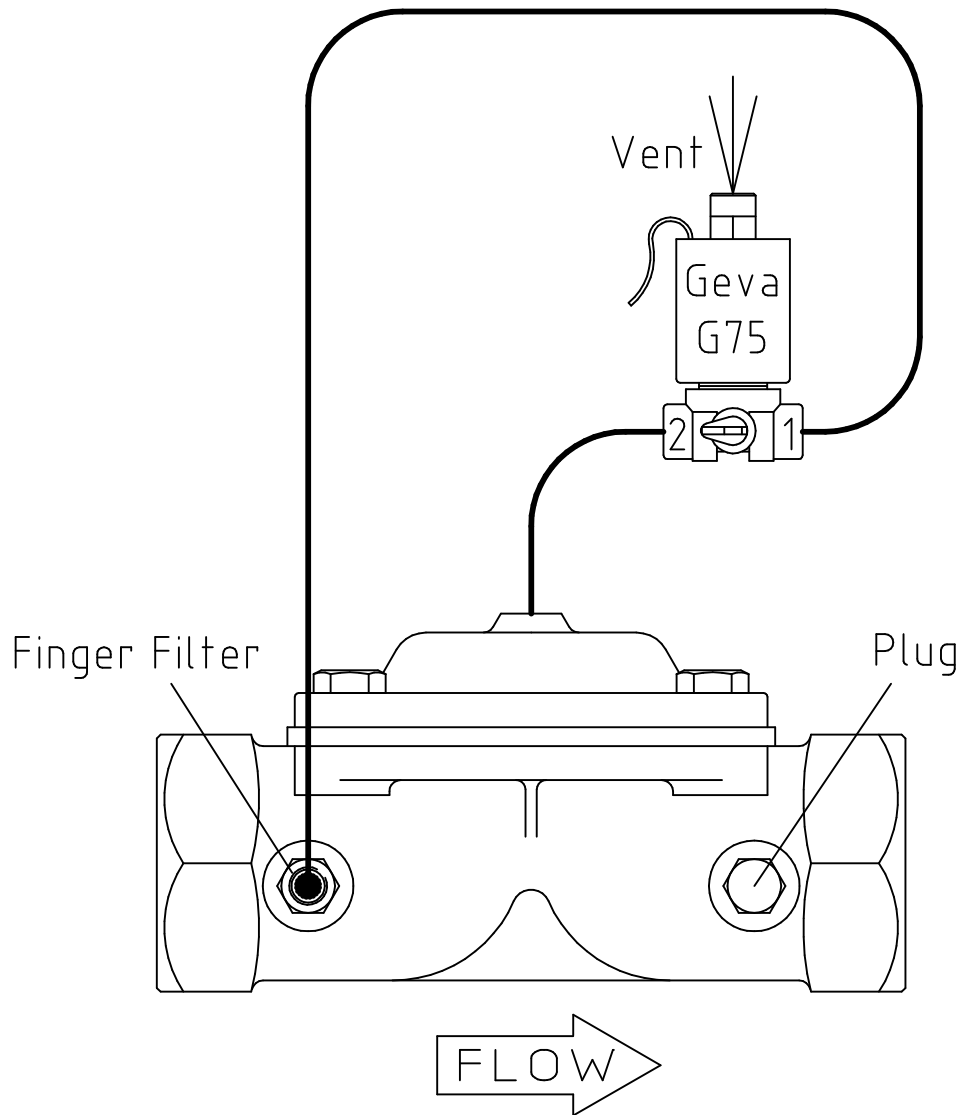




#007

PMB 51 Mannum
South Australia 5238
ph. (08) 8570 4251
fax. (08) 8570 4180

Electric, Normally Open Valve
Solenoid ~ Baccara, Geva G75, 3WNO 1.6
Pilot ~ None





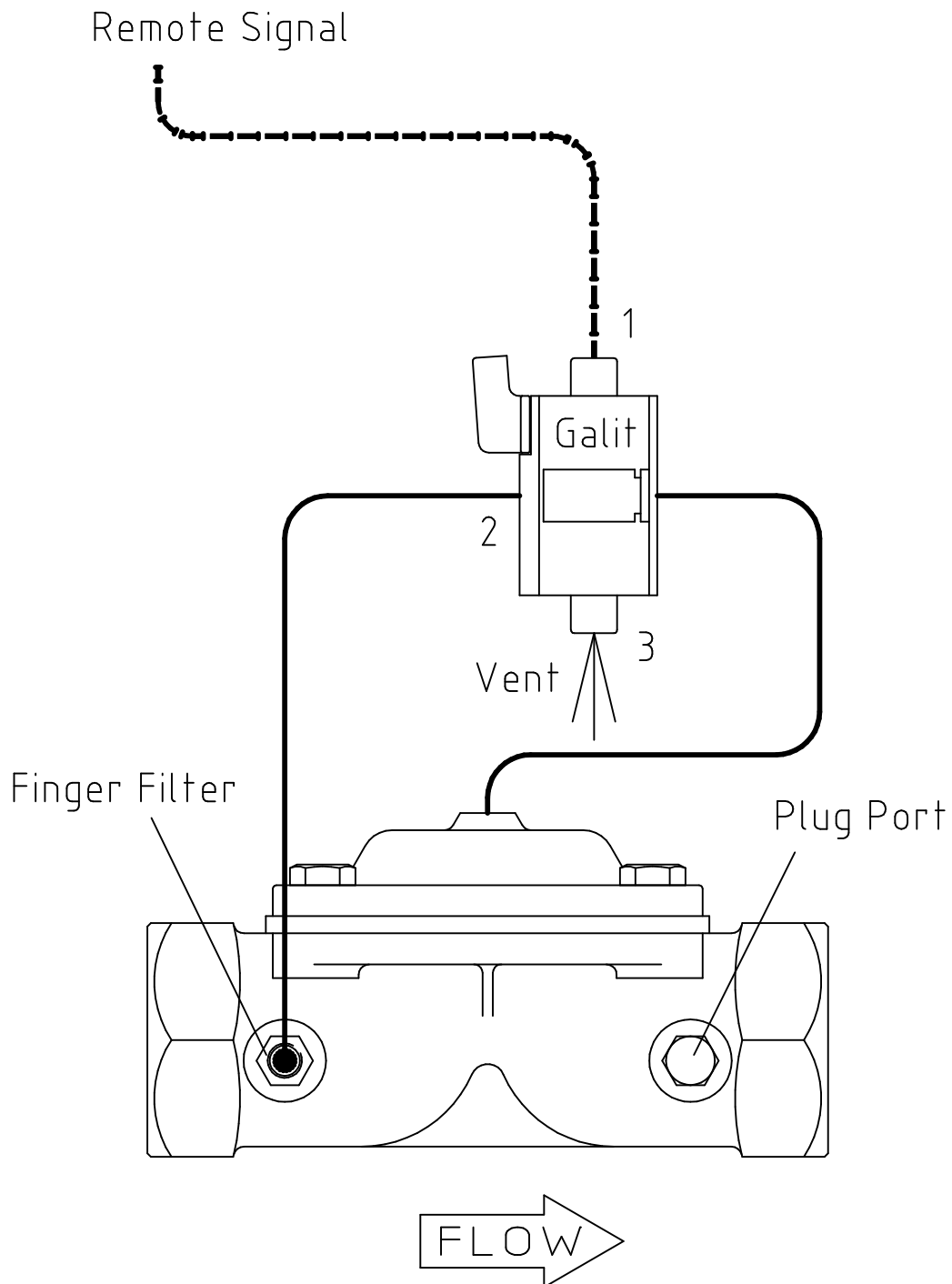
#009

PMB 51 Mannum
South Australia 5238
ph. (08) 8570 4251
fax. (08) 8570 4180

Hydraulic, Normally Closed Valve

Relay ~ Galit

Pilot ~ None





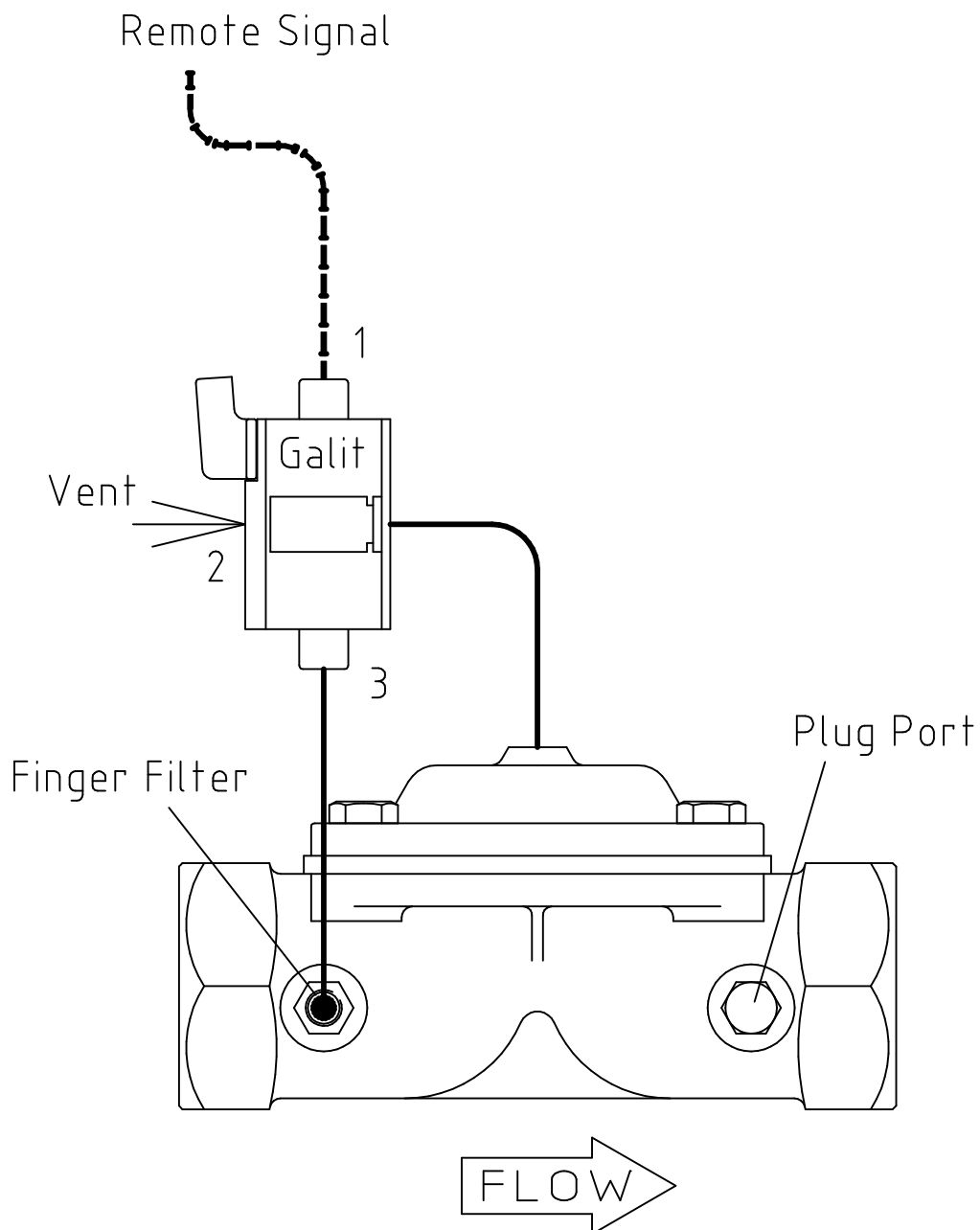
#010

PMB 51 Mannum
South Australia 5238
ph. (08) 8570 4251
fax. (08) 8570 4180

Hydraulic, Normally Open Valve

Relay ~ Galit

Pilot ~ None





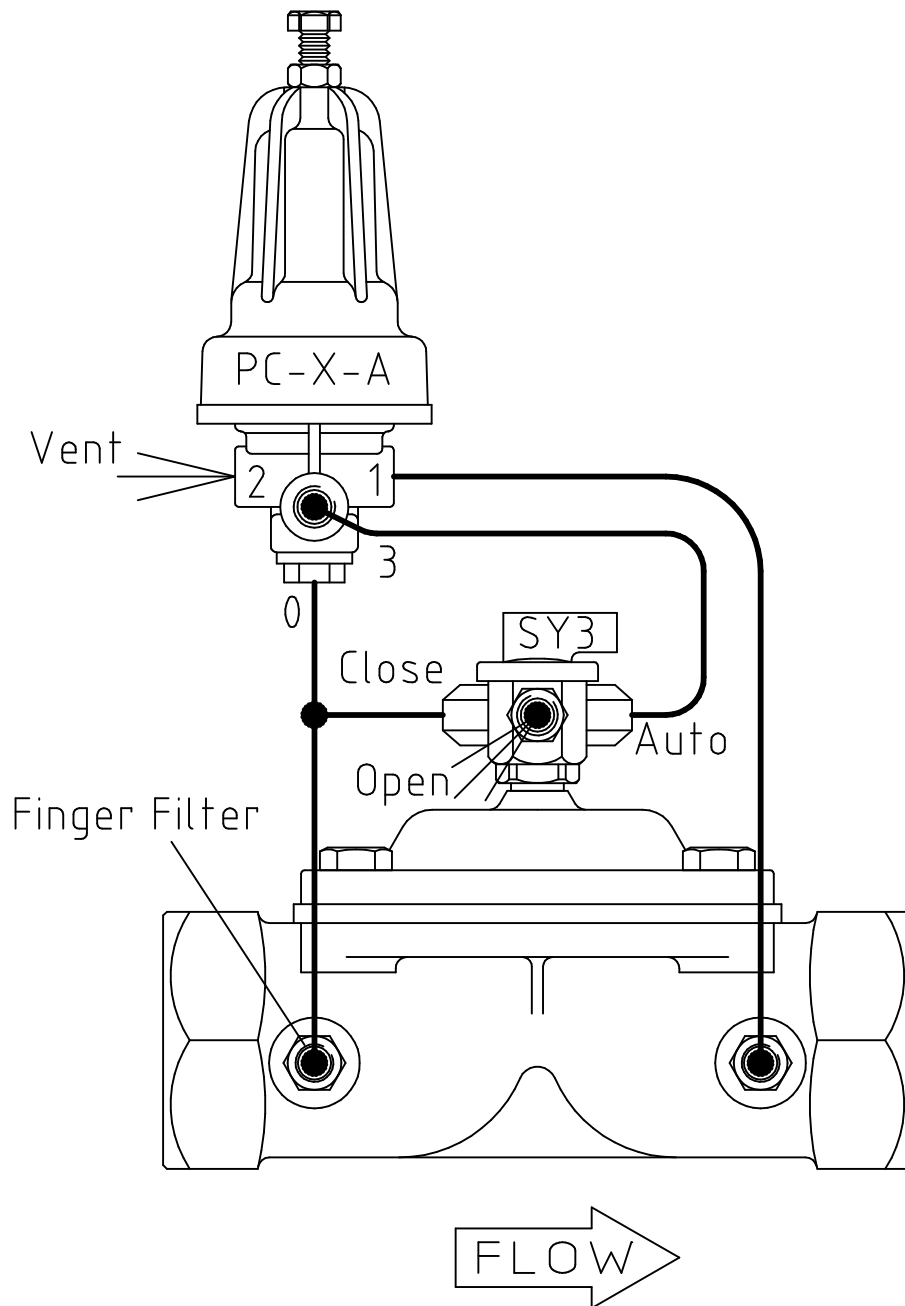
#011

PMB 51 Mannum
South Australia 5238
ph. (08) 8570 4251
fax. (08) 8570 4180

Manual, Pressure Reducing Valve

Tap ~ SY3

Pilot ~ Bermad, Plastic, 3 Way, PC-X-A

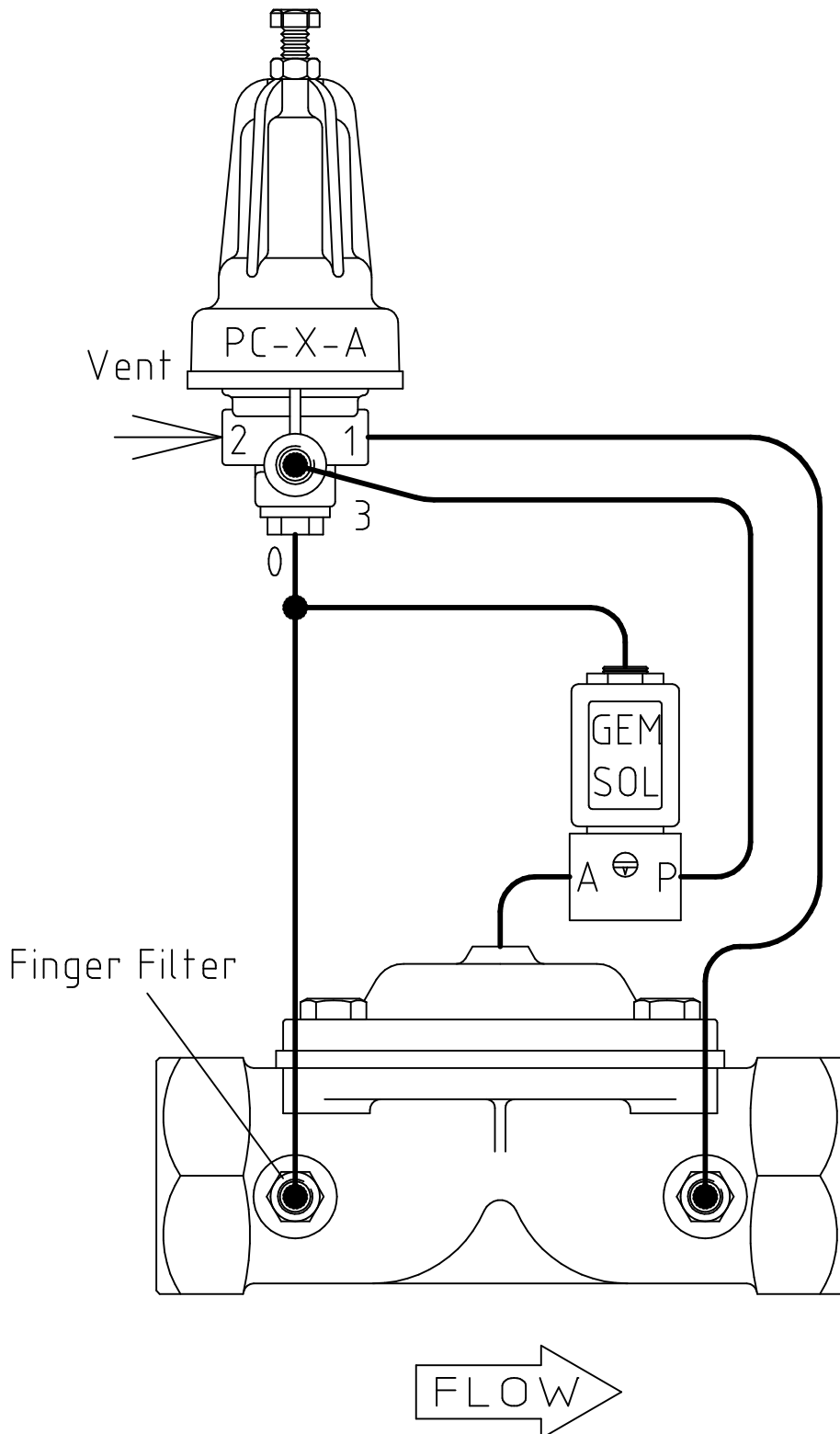




#012

PMB 51 Mannum
South Australia 5238
ph. (08) 8570 4251
fax. (08) 8570 4180

Electric, Pressure Reducing, Normally Closed Valve
Solenoid ~ Baccara, Gem-Sol, 3-N/O Base
Pilot ~ Bermad, Plastic, 3 Way, PC-X-A

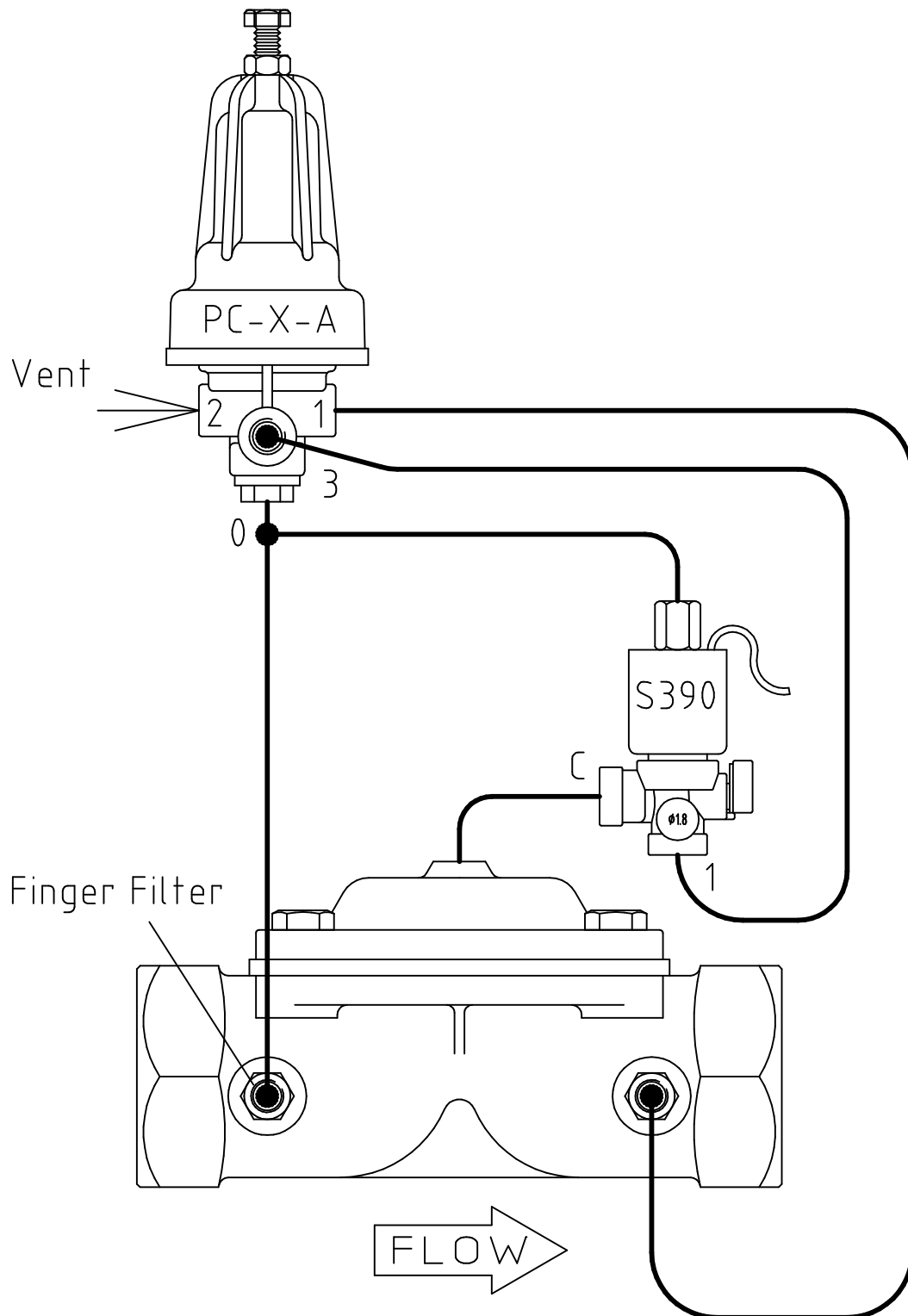




#014

PMB 51 Mannum
South Australia 5238
ph. (08) 8570 4251
fax. (08) 8570 4180

Electric, Pressure Reducing, Normally Closed Valve
Solenoid ~ Bermad, S-390-3-R
Pilot ~ Bermad, Plastic, 3 Way, PC-X-A

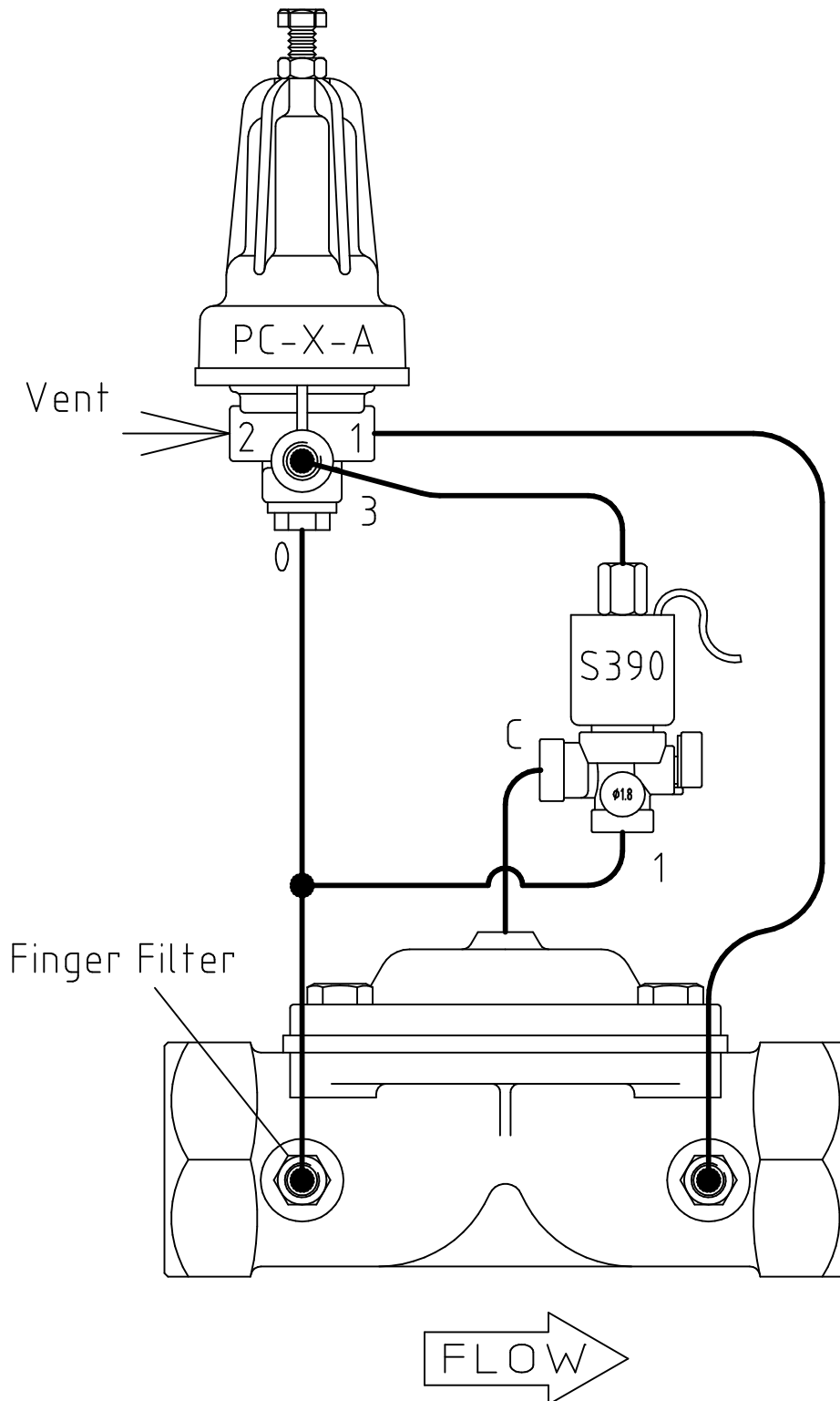




#015

PMB 51 Mannum
South Australia 5238
ph. (08) 8570 4251
fax. (08) 8570 4180

Electric, Pressure Reducing, Normally Open Valve
Solenoid ~ Bermad, S-390-3-R
Pilot ~ Bermad, Plastic, 3 Way, PC-X-A

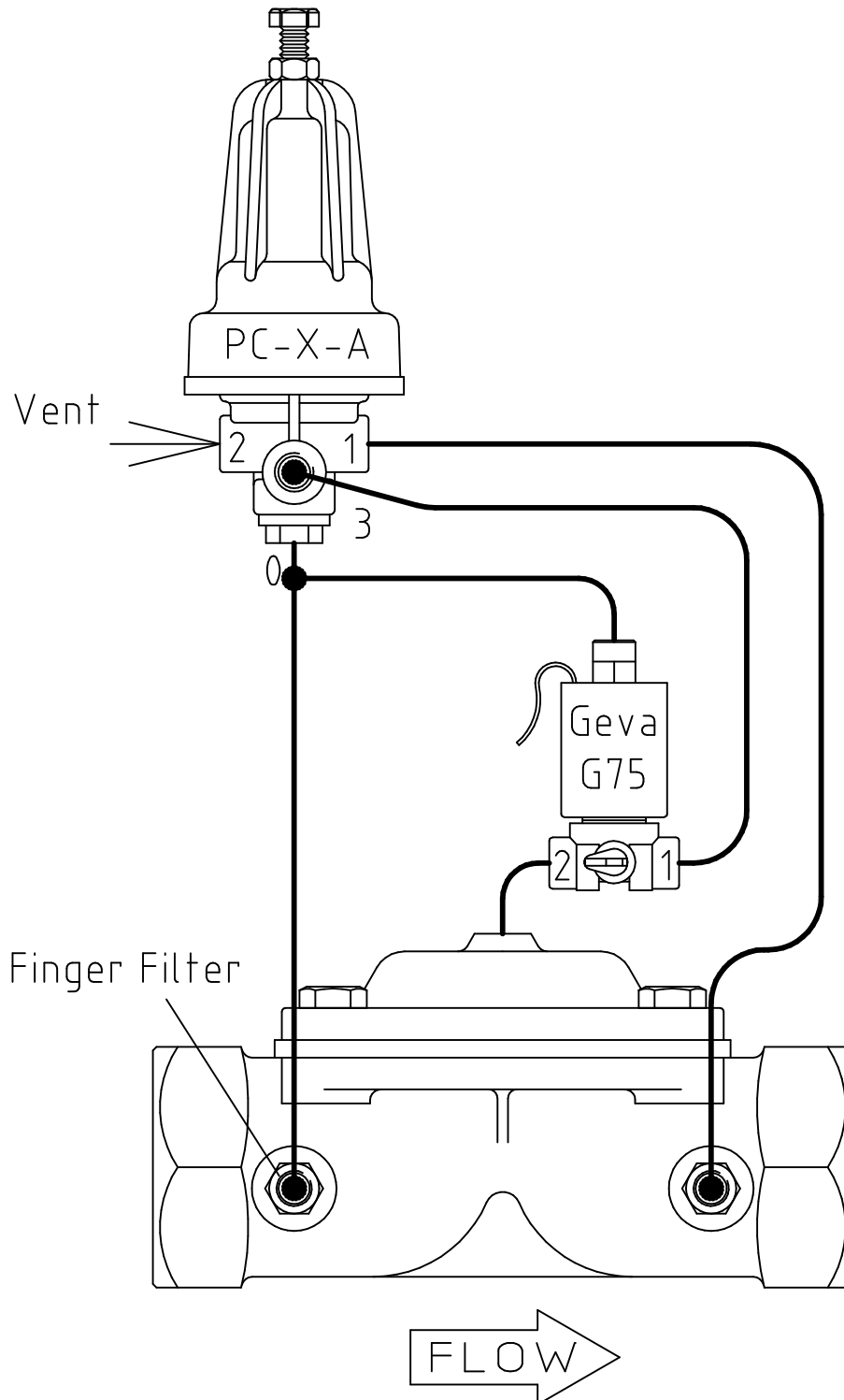




#016

PMB 51 Mannum
South Australia 5238
ph. (08) 8570 4251
fax. (08) 8570 4180

Electric, Pressure Reducing, Normally Closed Valve
Solenoid ~ Baccara, Geva G75, 3WNO 1.6
Pilot ~ Bermad, Plastic, 3 Way, PC-X-A

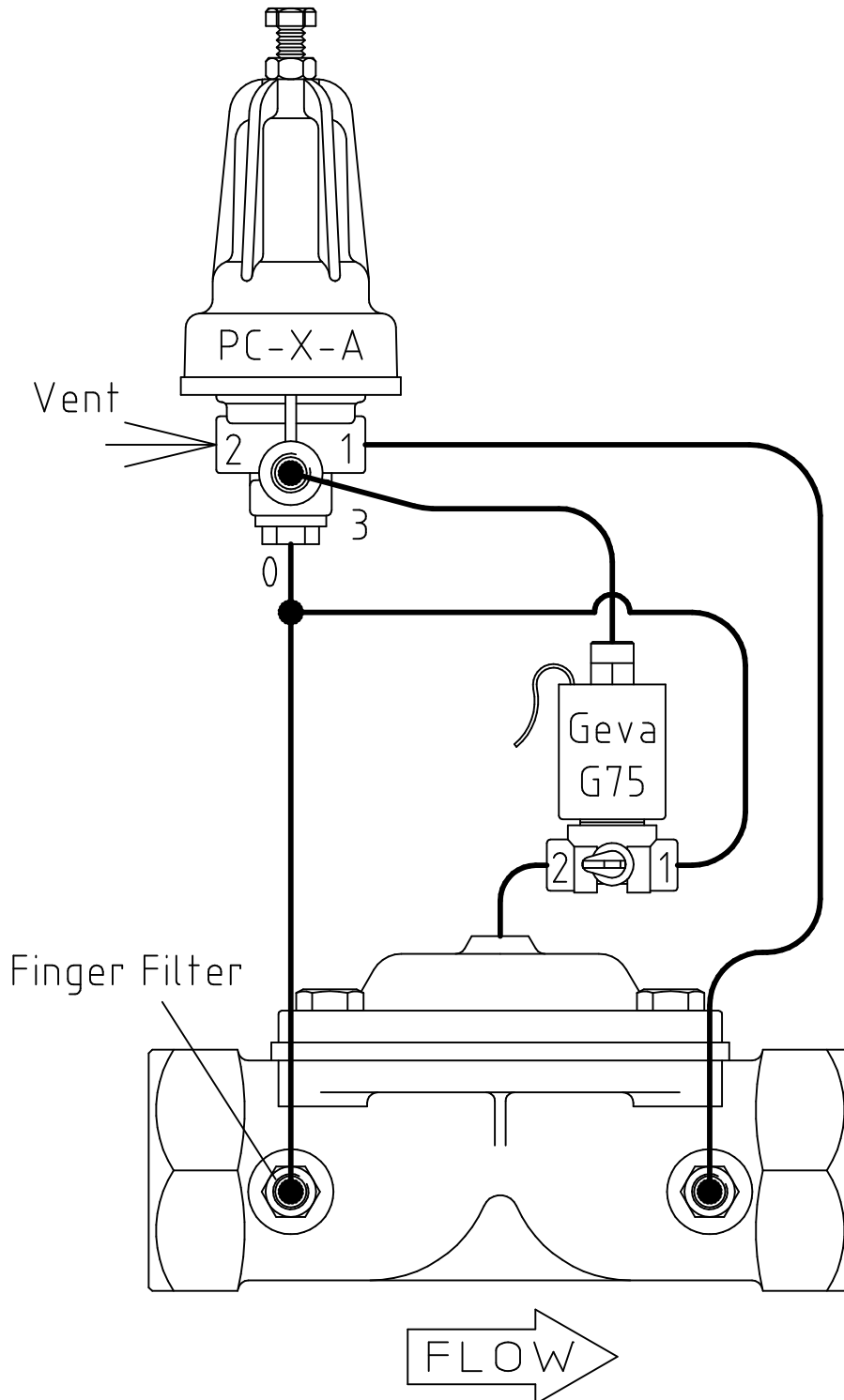




#017

PMB 51 Mannum
South Australia 5238
ph. (08) 8570 4251
fax. (08) 8570 4180

Electric, Pressure Reducing, Normally Open Valve
Solenoid ~ Baccara, Geva G75, 3WNO 1.6
Pilot ~ Bermad, Plastic, 3 Way, PC-X-A

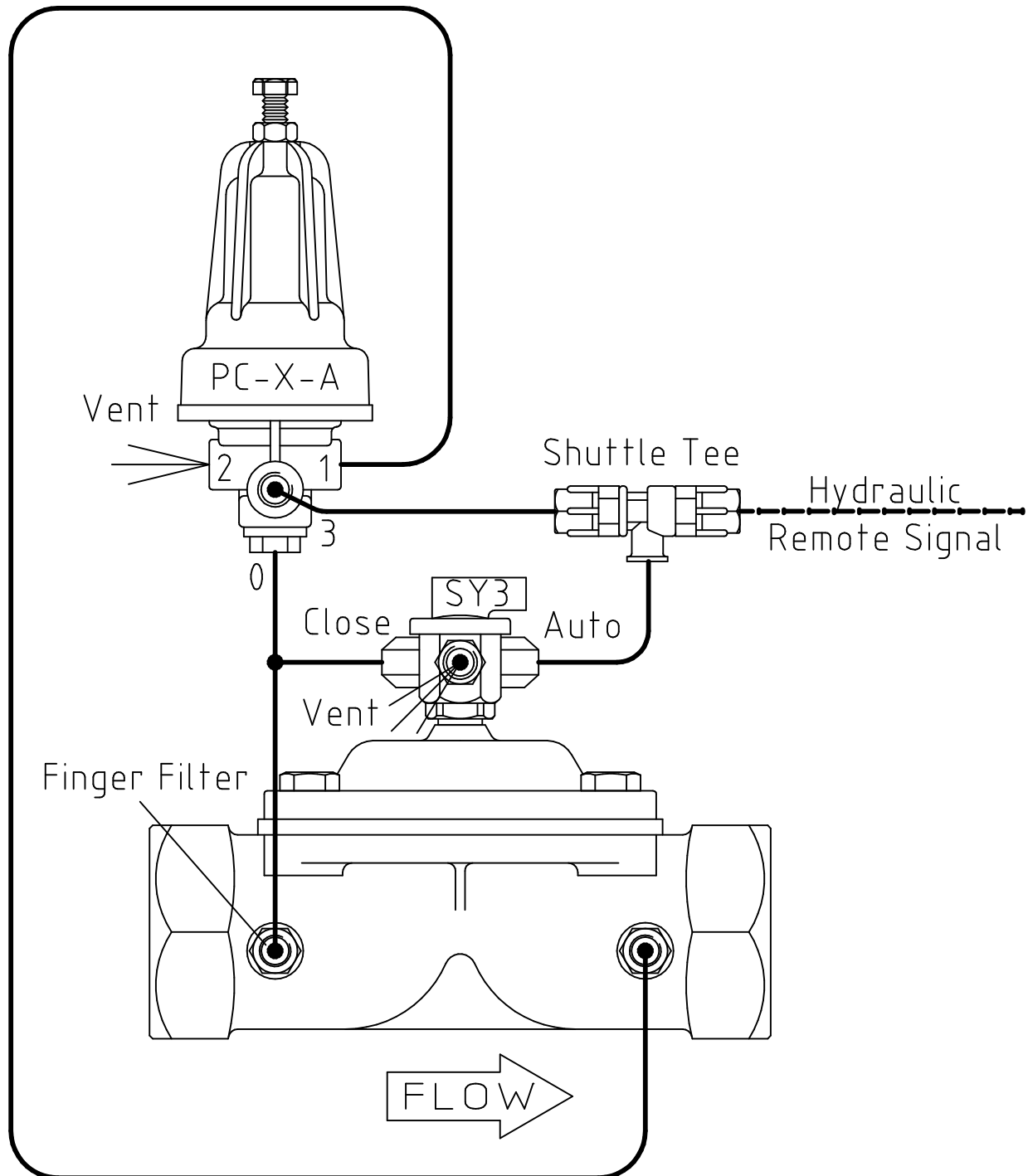




#018

PMB 51 Mannum
South Australia 5238
ph. (08) 8570 4251
fax. (08) 8570 4180

Hydraulic, Pressure Reducing, Normally Open Valve
Relay ~ Shuttle Tee
Pilot ~ Bermad, Plastic, 3 Way, PC-X-A

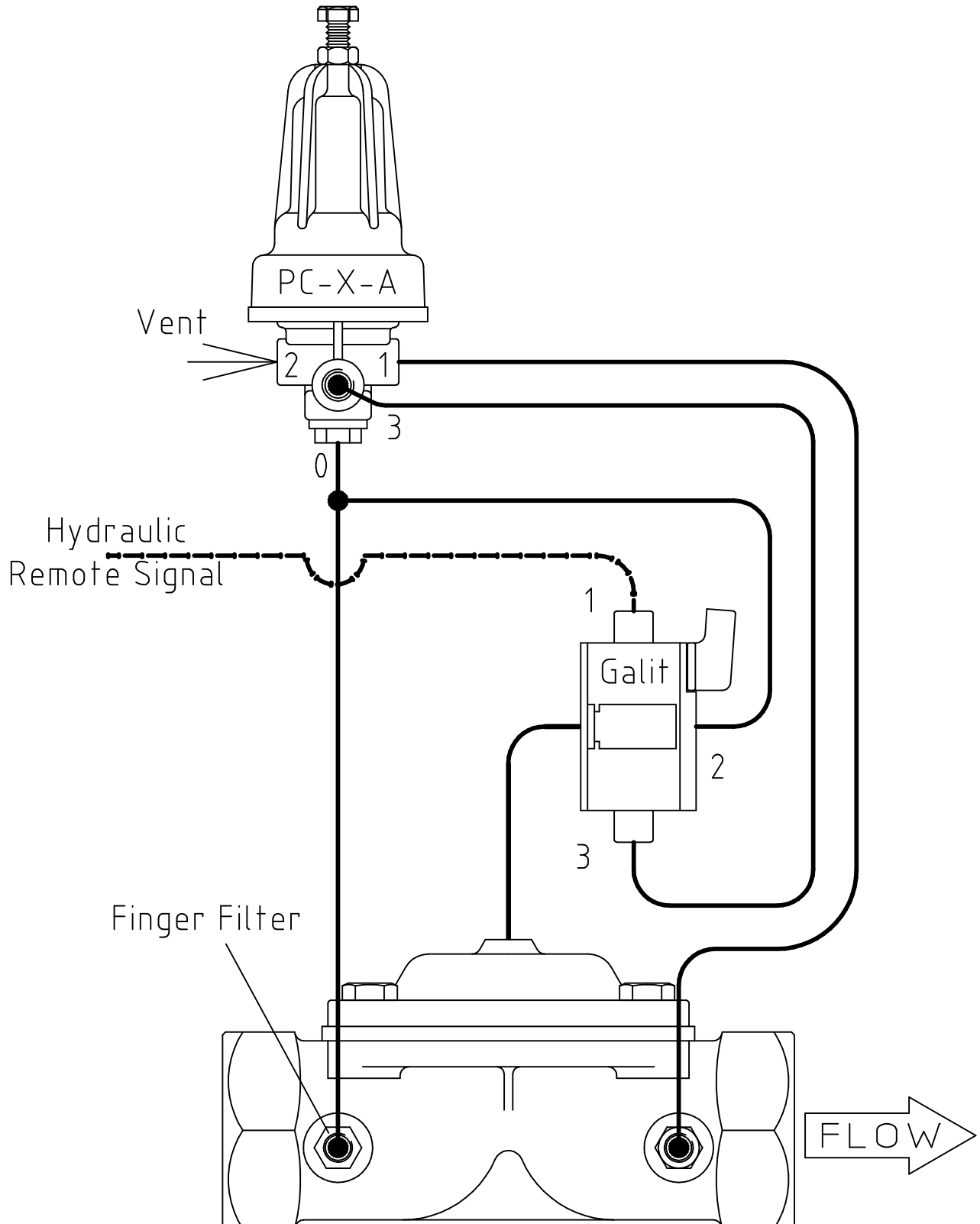




#019

PMB 51 Mannum
South Australia 5238
ph. (08) 8570 4251
fax. (08) 8570 4180

Hydraulic, Pressure Reducing, Normally Closed Valve
Relay ~ Galit
Pilot ~ Bermad, Plastic, 3 Way, PC-X-A

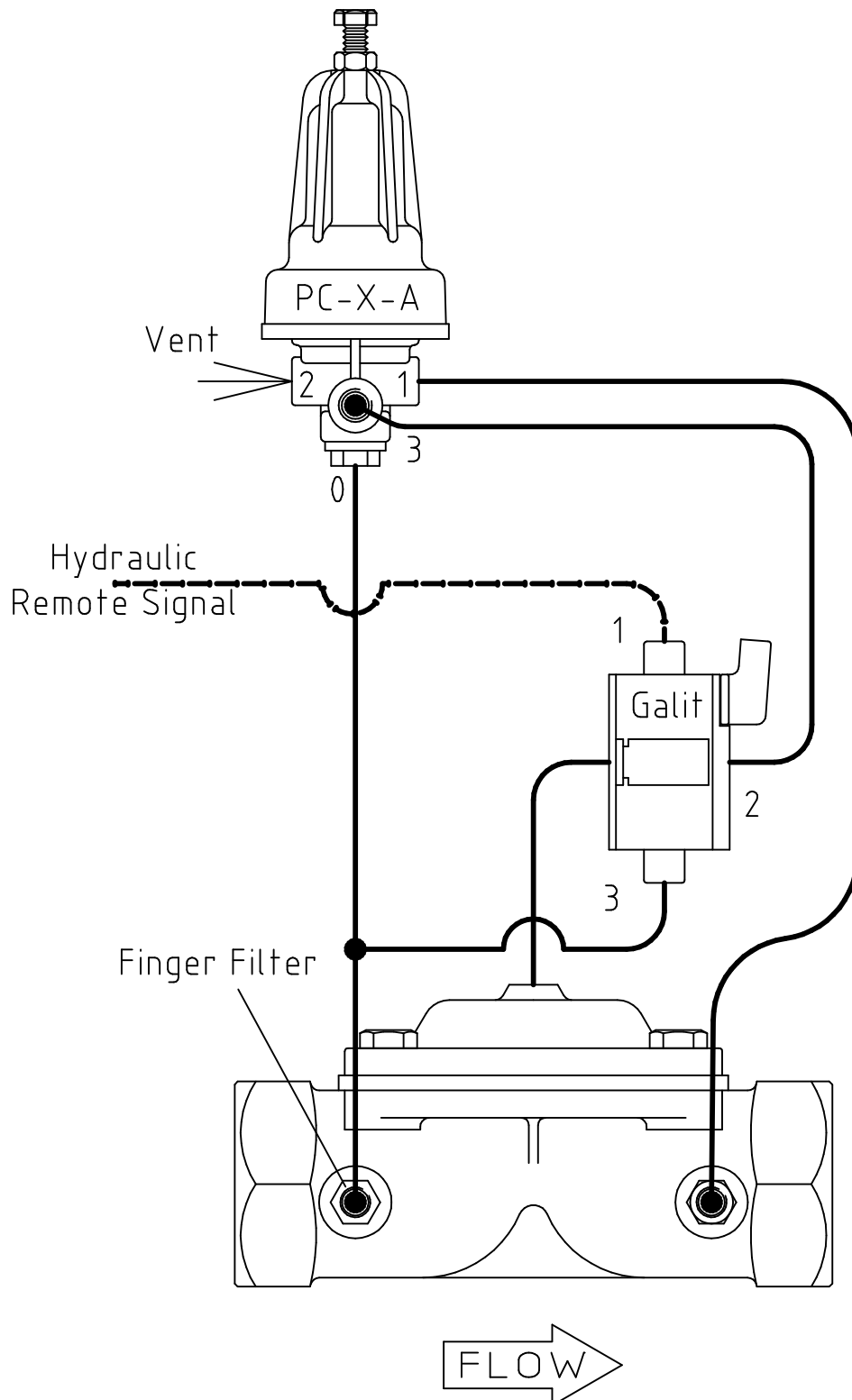




#020

PMB 51 Mannum
South Australia 5238
ph. (08) 8570 4251
fax. (08) 8570 4180

Hydraulic, Pressure Reducing, Normally Open Valve
Relay ~ Galit
Pilot ~ Bermad, Plastic, 3 Way, PC-X-A





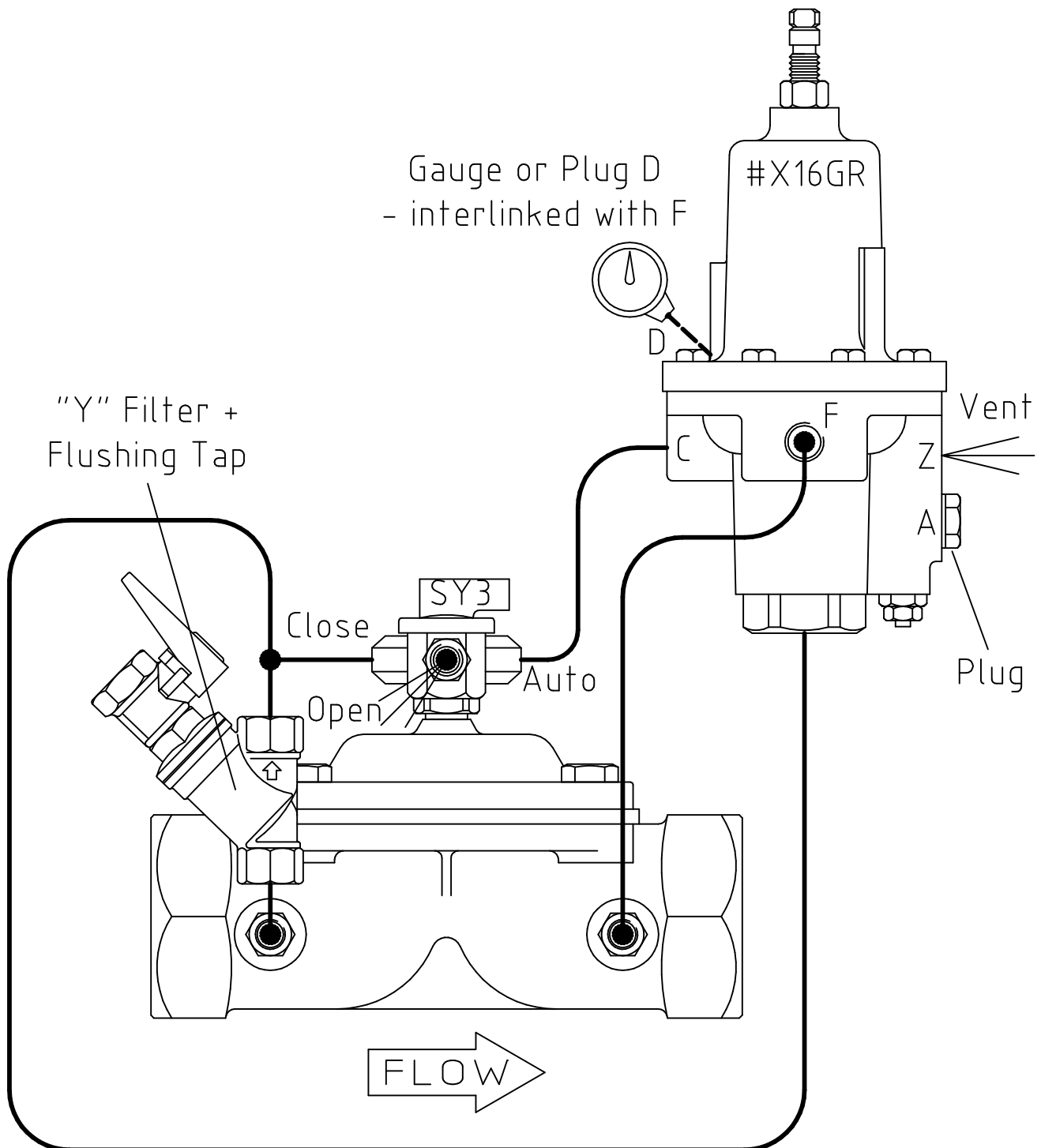
#021

PMB 51 Mannum
South Australia 5238
ph. (08) 8570 4251
fax. (08) 8570 4180

Manual, Pressure Reducing Valve

Tap ~ SY3

Pilot ~ Bermad, Brass, 3 Way, #X-16-G-R

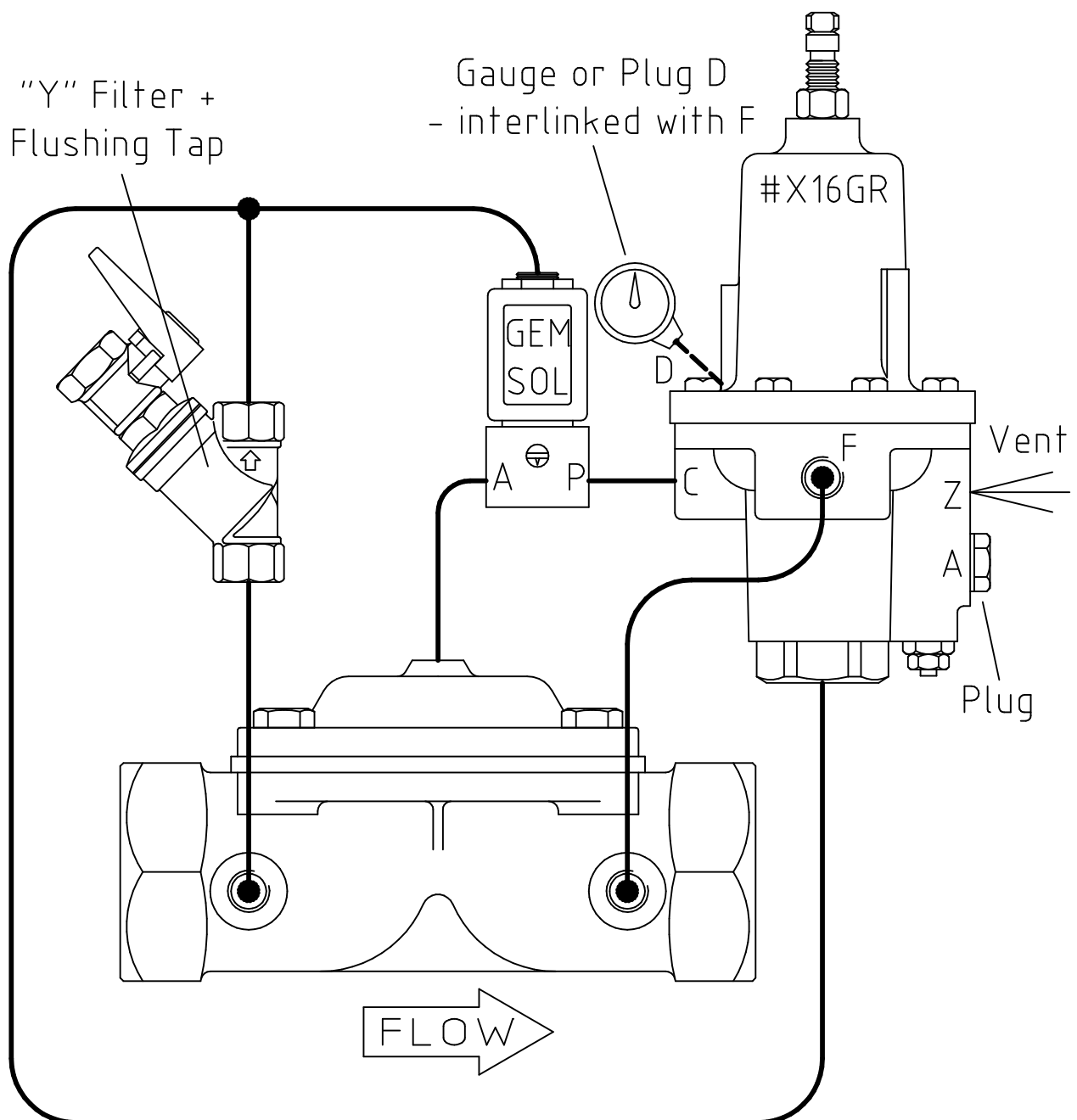




#022

PMB 51 Mannum
South Australia 5238
ph. (08) 8570 4251
fax. (08) 8570 4180

Electric, Pressure Reducing, Normally Closed Valve
Solenoid ~ Baccara, Gem-Sol, 3-N/O Base
Pilot ~ Bermad, Brass, 3 Way, #X-16-G-R

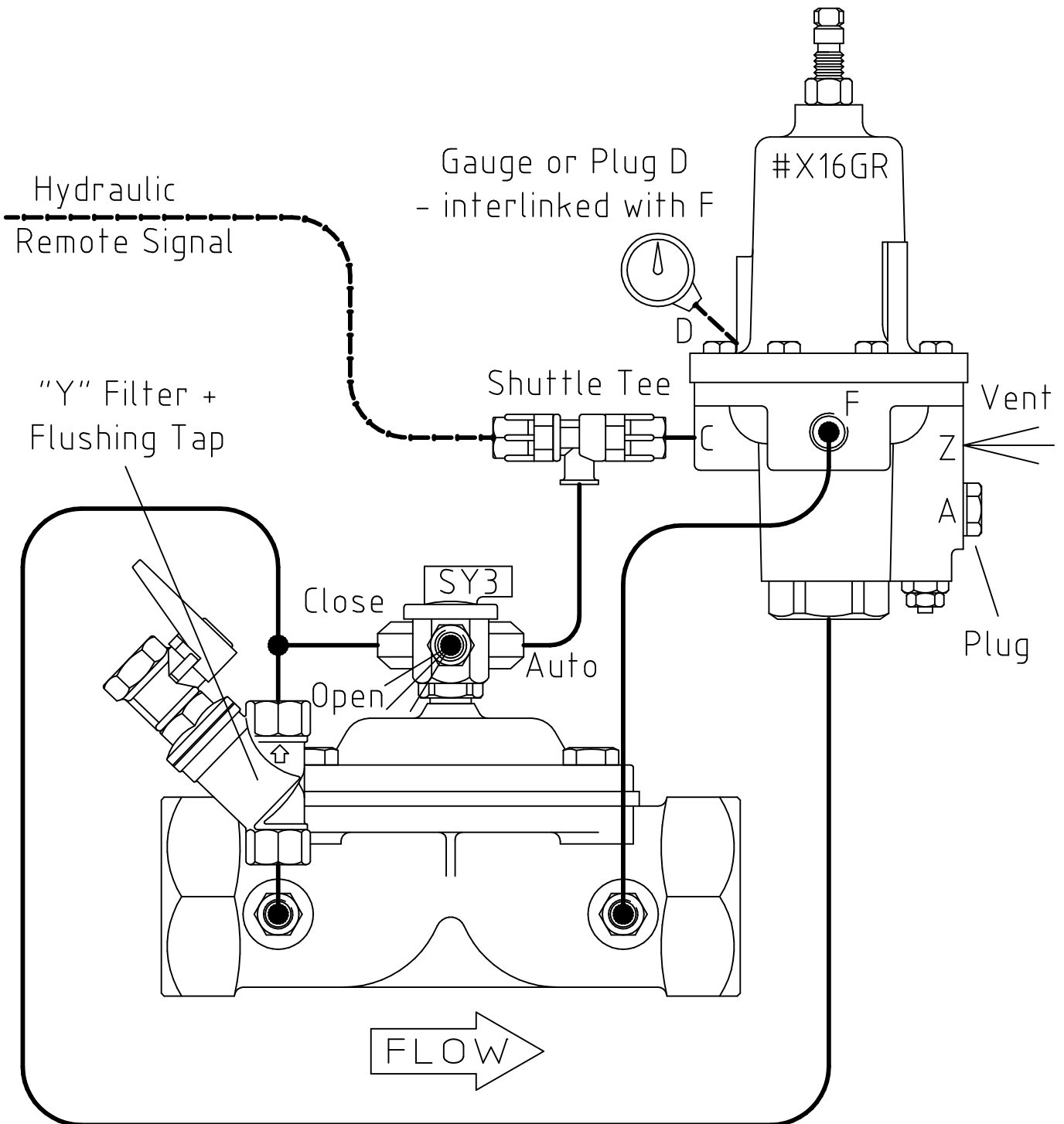




#028

PMB 51 Mannum
South Australia 5238
ph. (08) 8570 4251
fax. (08) 8570 4180

Hydraulic, Pressure Reducing, Normally Open Valve
Relay ~ Shuttle Tee
Pilot ~ Bermad, Brass, 3 Way, #X-16-G-R

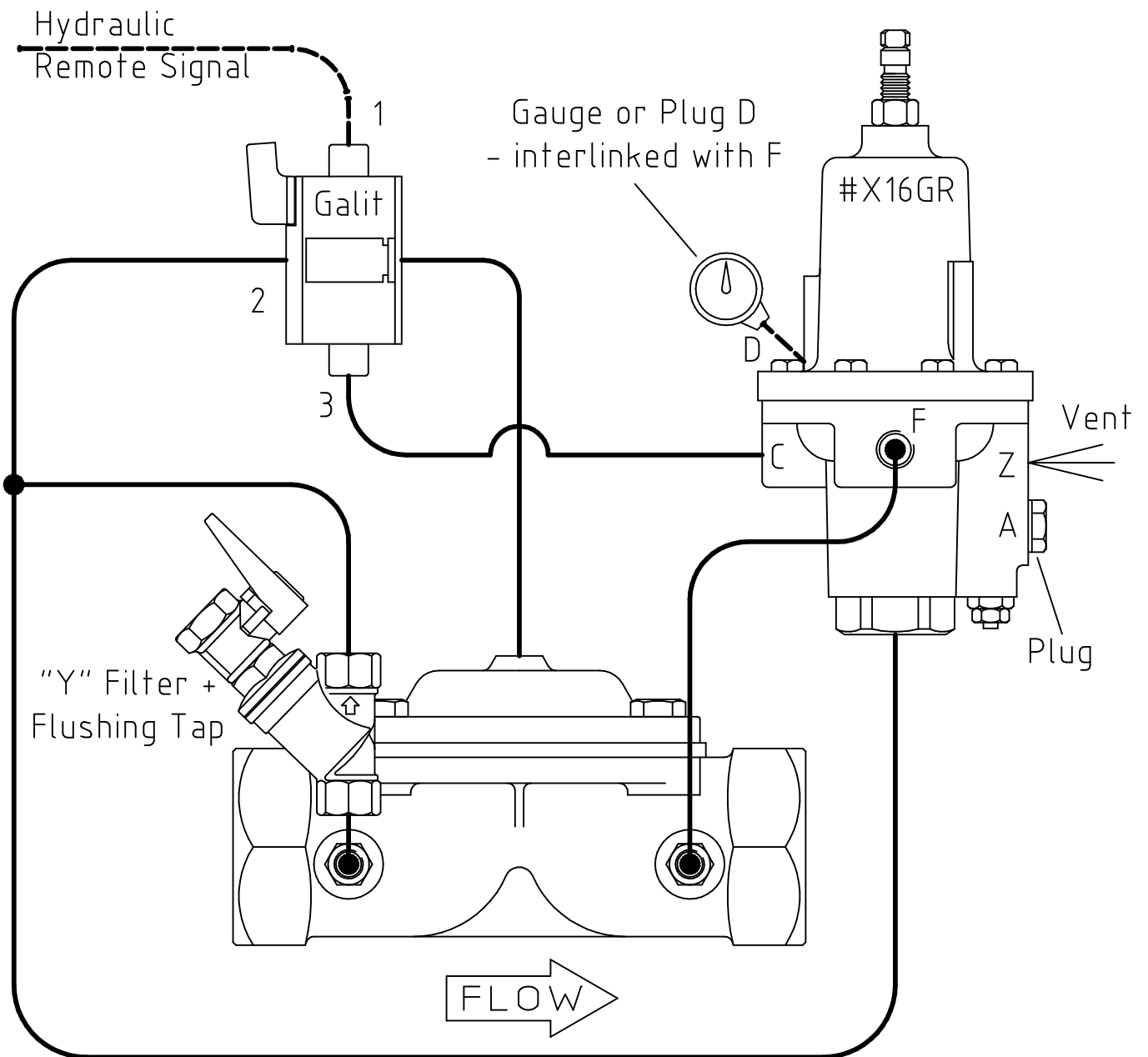




#029

PMB 51 Mannum
South Australia 5238
ph. (08) 8570 4251
fax. (08) 8570 4180

Hydraulic, Pressure Reducing, Normally Closed Valve
Relay ~ Galit
Pilot ~ Bermad, Brass, 3 Way, #X-16-G-R





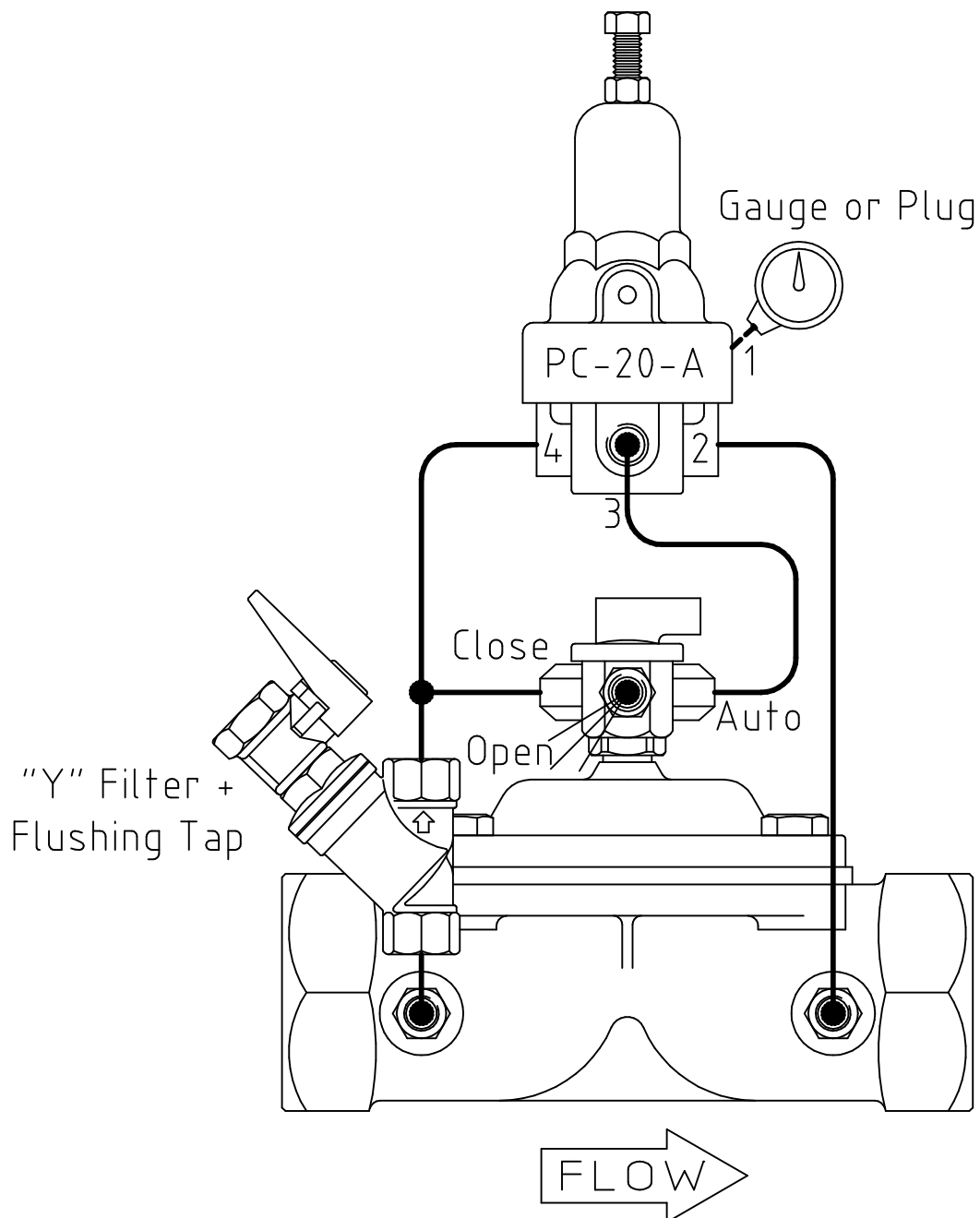
#031

PMB 51 Mannum
South Australia 5238
ph. (08) 8570 4251
fax. (08) 8570 4180

Manual, Pressure Reducing Valve

Tap ~ SY3

Pilot ~ Bermad, Brass, 2 Way, PC-20-A

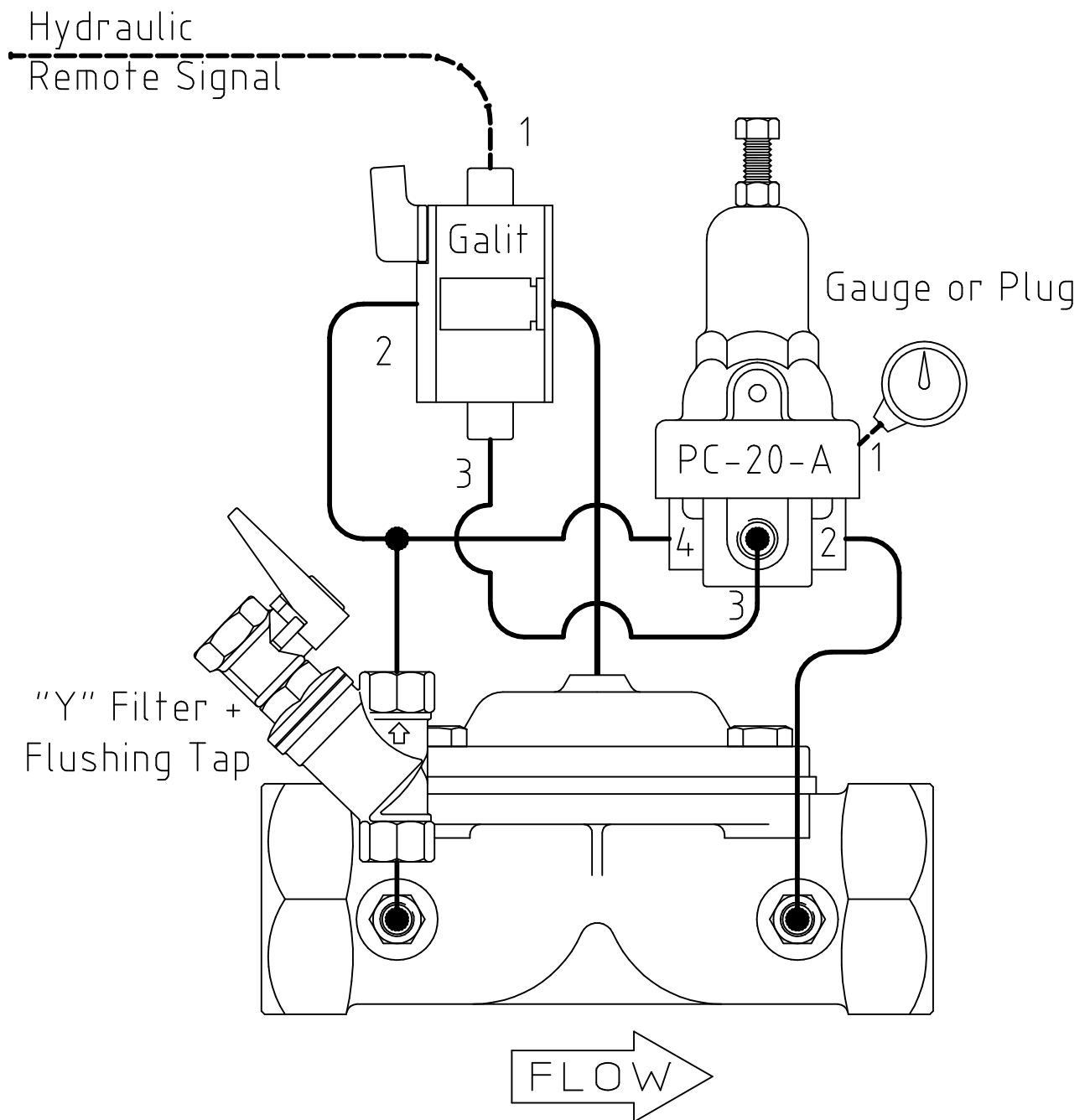




#039

PMB 51 Mannum
South Australia 5238
ph. (08) 8570 4251
fax. (08) 8570 4180

Hydraulic, Pressure Reducing, Normally Closed Valve
Relay ~ Galit
Pilot ~ Bermad, Brass, 2 Way, PC-20-A





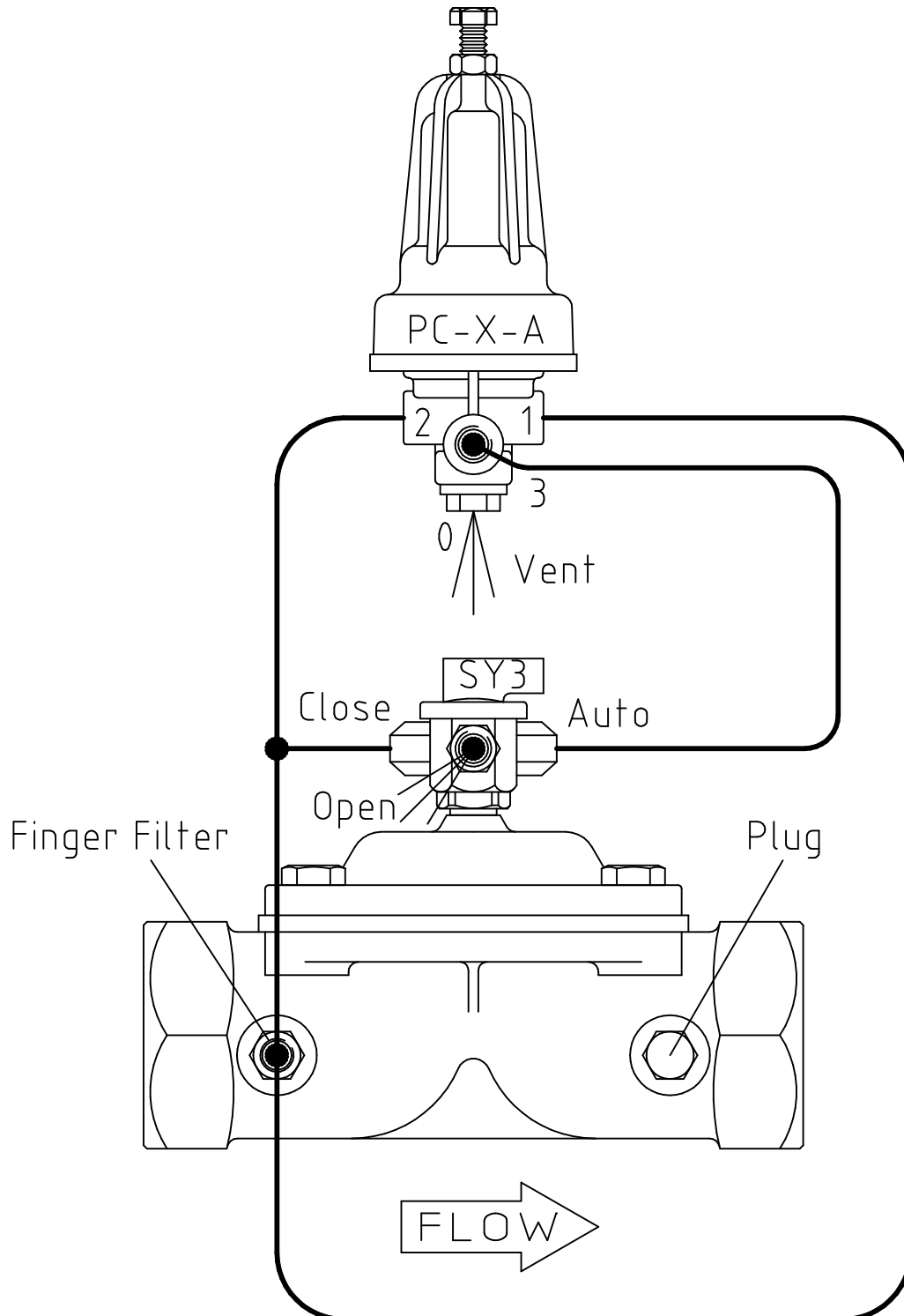
#041

PMB 51 Mannum
South Australia 5238
ph. (08) 8570 4251
fax. (08) 8570 4180

Manual, Pressure Sustaining Valve

Tap ~ SY3

Pilot ~ Bermad, Plastic, 3 Way, PC-X-A

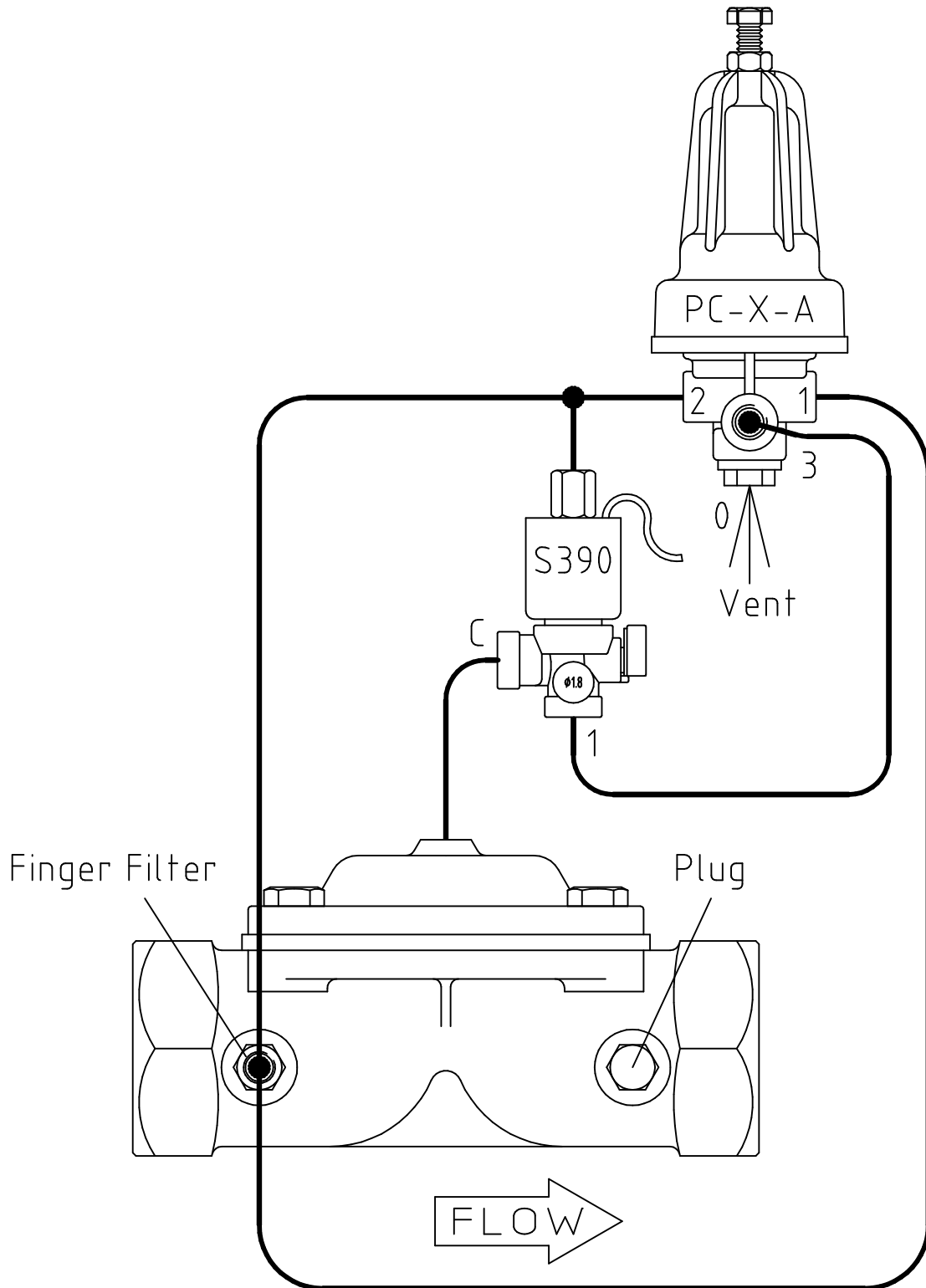




#044

PMB 51 Mannum
South Australia 5238
ph. (08) 8570 4251
fax. (08) 8570 4180

Electric, Pressure Sustaining, Normally Closed Valve
Solenoid ~ Bermad, S-390-3-R
Pilot ~ Bermad, Plastic, 3 Way, PC-X-A

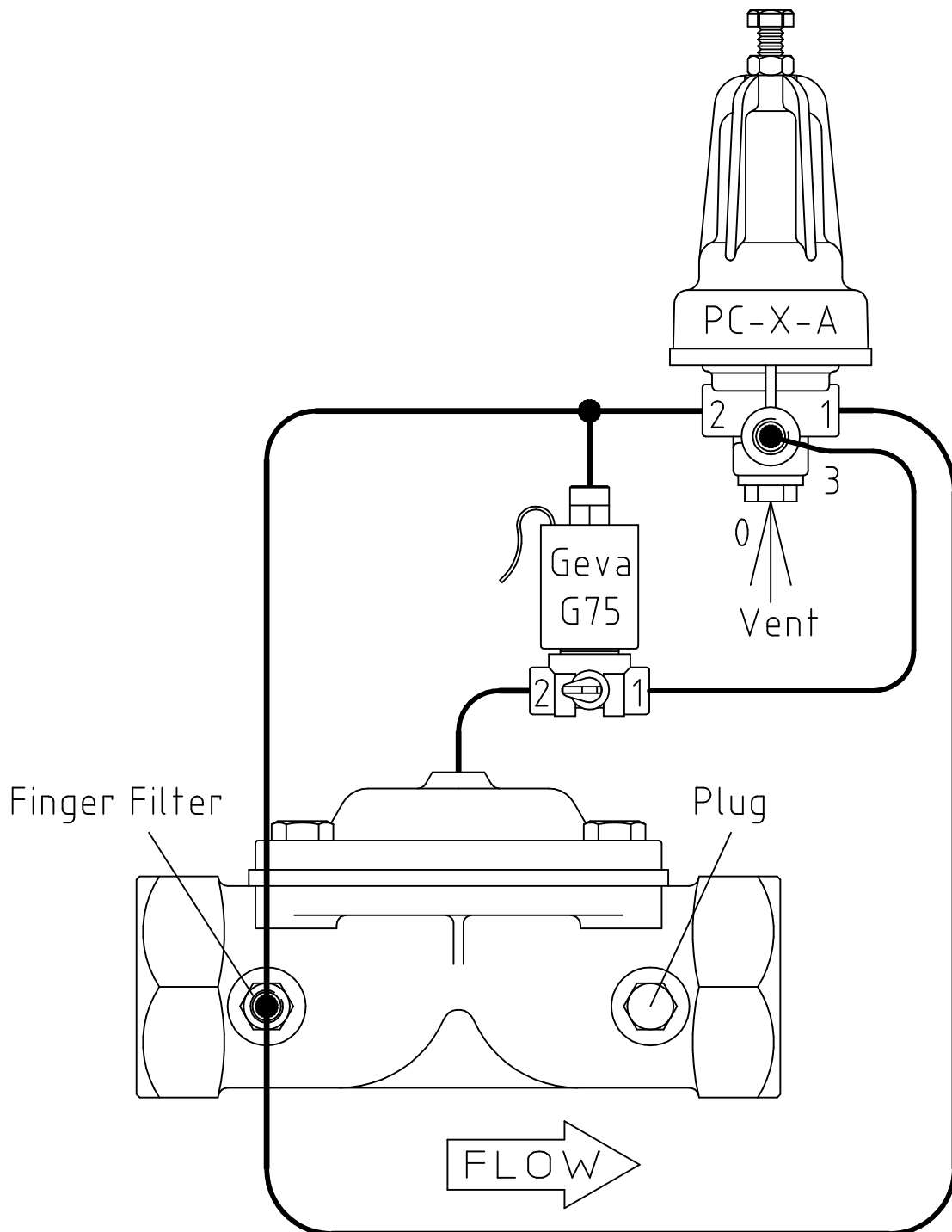




#046

PMB 51 Mannum
South Australia 5238
ph. (08) 8570 4251
fax. (08) 8570 4180

Electric, Pressure Sustaining, Normally Closed Valve
Solenoid ~ Baccara, Geva G75, 3WNO 1.6
Pilot ~ Bermad, Plastic, 3 Way, PC-X-A

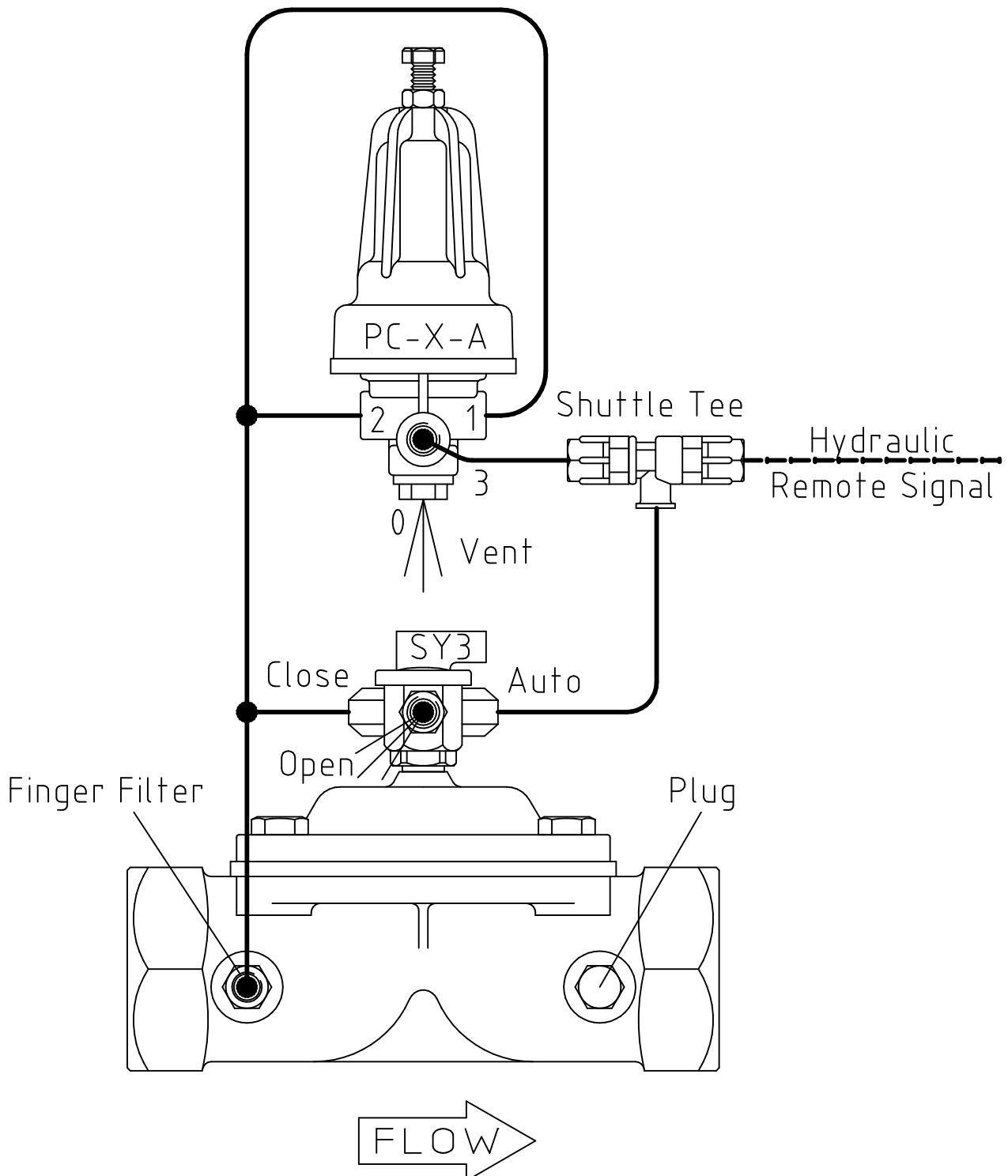




#048

PMB 51 Mannum
South Australia 5238
ph. (08) 8570 4251
fax. (08) 8570 4180

Hydraulic, Pressure Sustaining, Normally Open Valve
Relay ~ Shuttle Tee
Pilot ~ Bermad, Plastic, 3 Way, PC-X-A

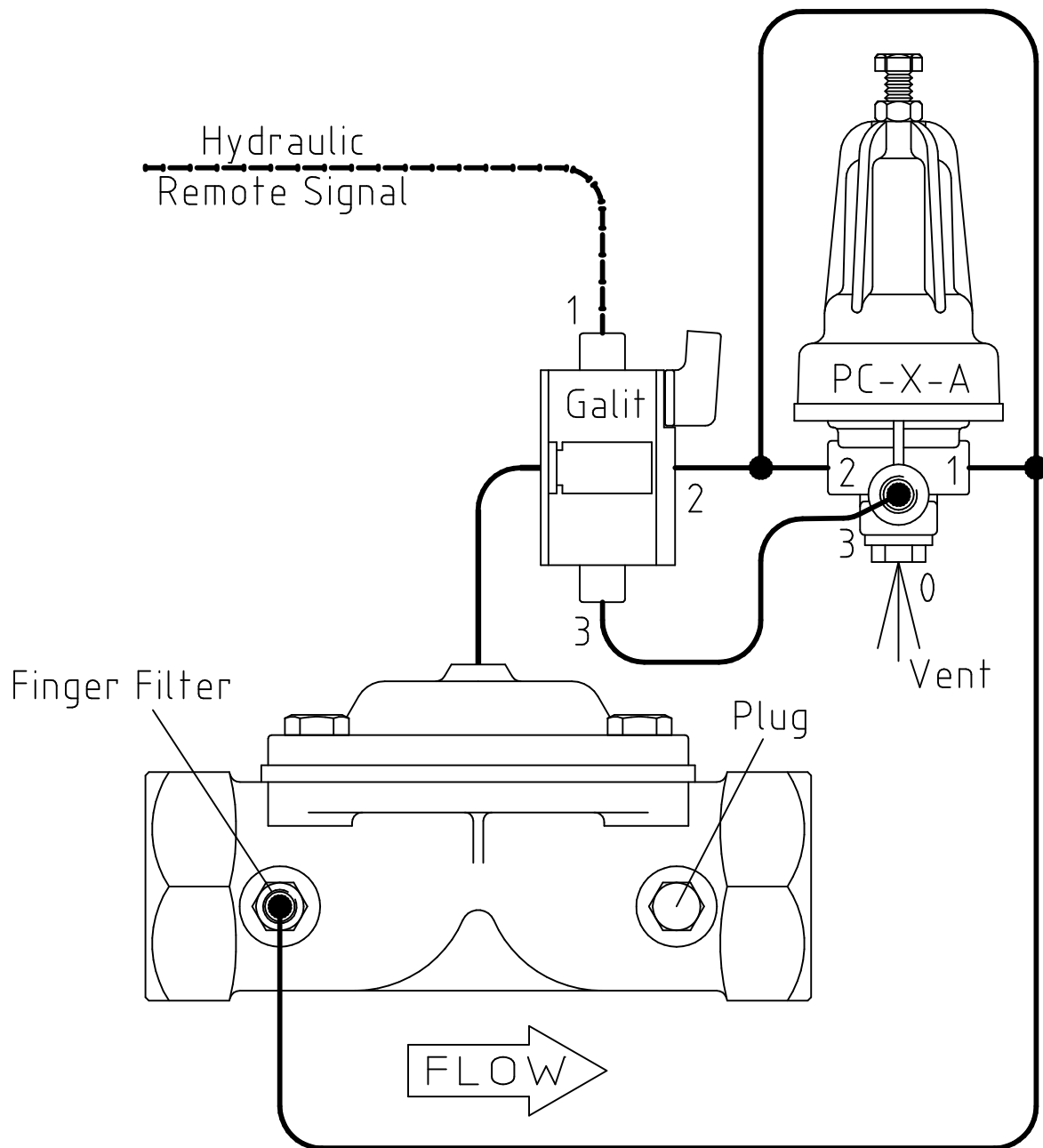




#049

PMB 51 Mannum
South Australia 5238
ph. (08) 8570 4251
fax. (08) 8570 4180

Hydraulic, Pressure Sustaining, Normally Closed Valve
Relay ~ Galit
Pilot ~ Bermad, Plastic, 3 Way, PC-X-A





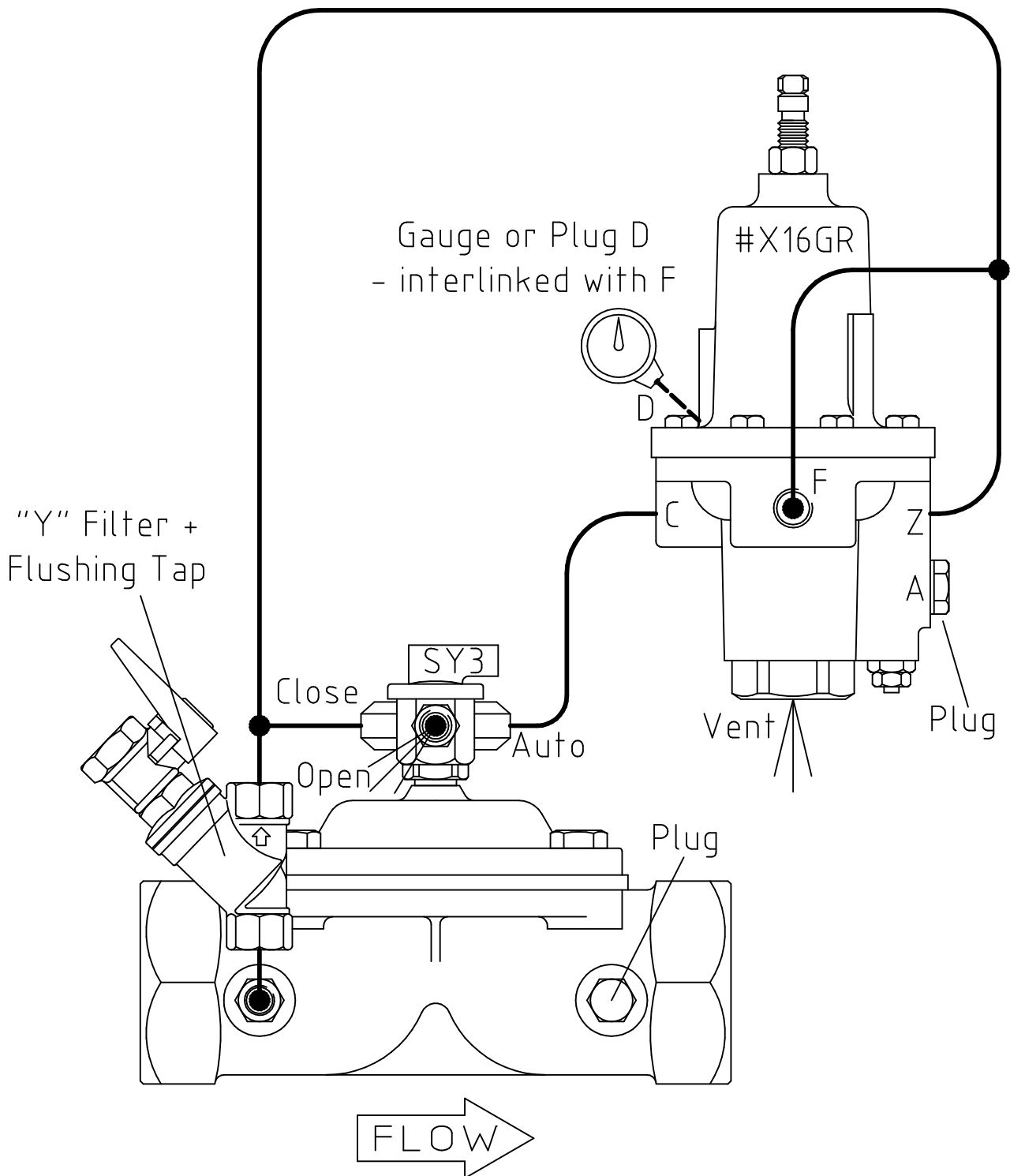
#051

PMB 51 Mannum
South Australia 5238
ph. (08) 8570 4251
fax. (08) 8570 4180

Manual, Pressure Sustaining Valve

Tap ~ SY3

Pilot ~ Bermad, Brass, 3 Way, #X-16-G-R

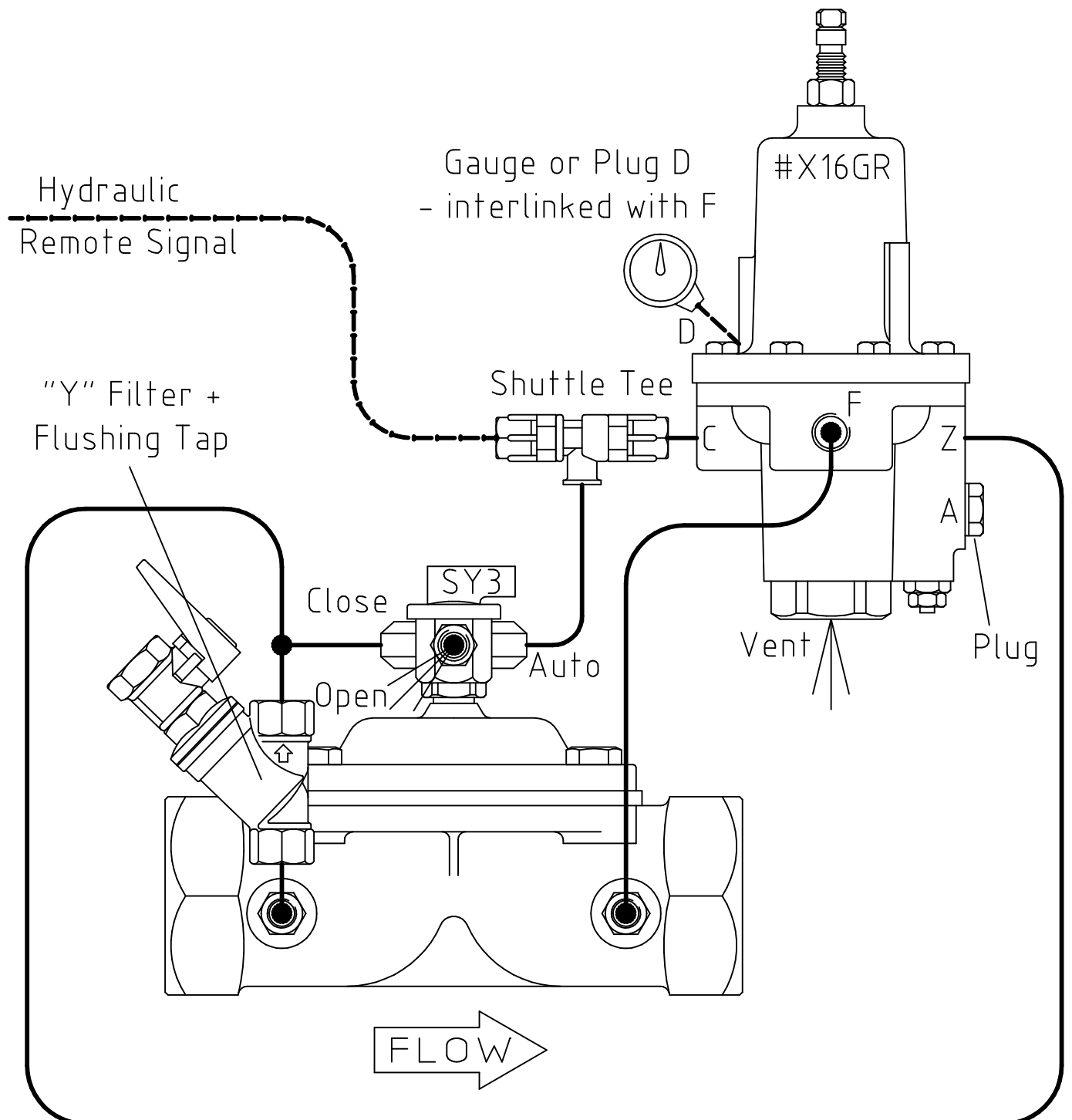




#058

PMB 51 Mannum
South Australia 5238
ph. (08) 8570 4251
fax. (08) 8570 4180

Hydraulic, Pressure Reducing, Normally Open Valve
Relay ~ Shuttle Tee
Pilot ~ Bermad, Brass, 3 Way, #X-16-G-R

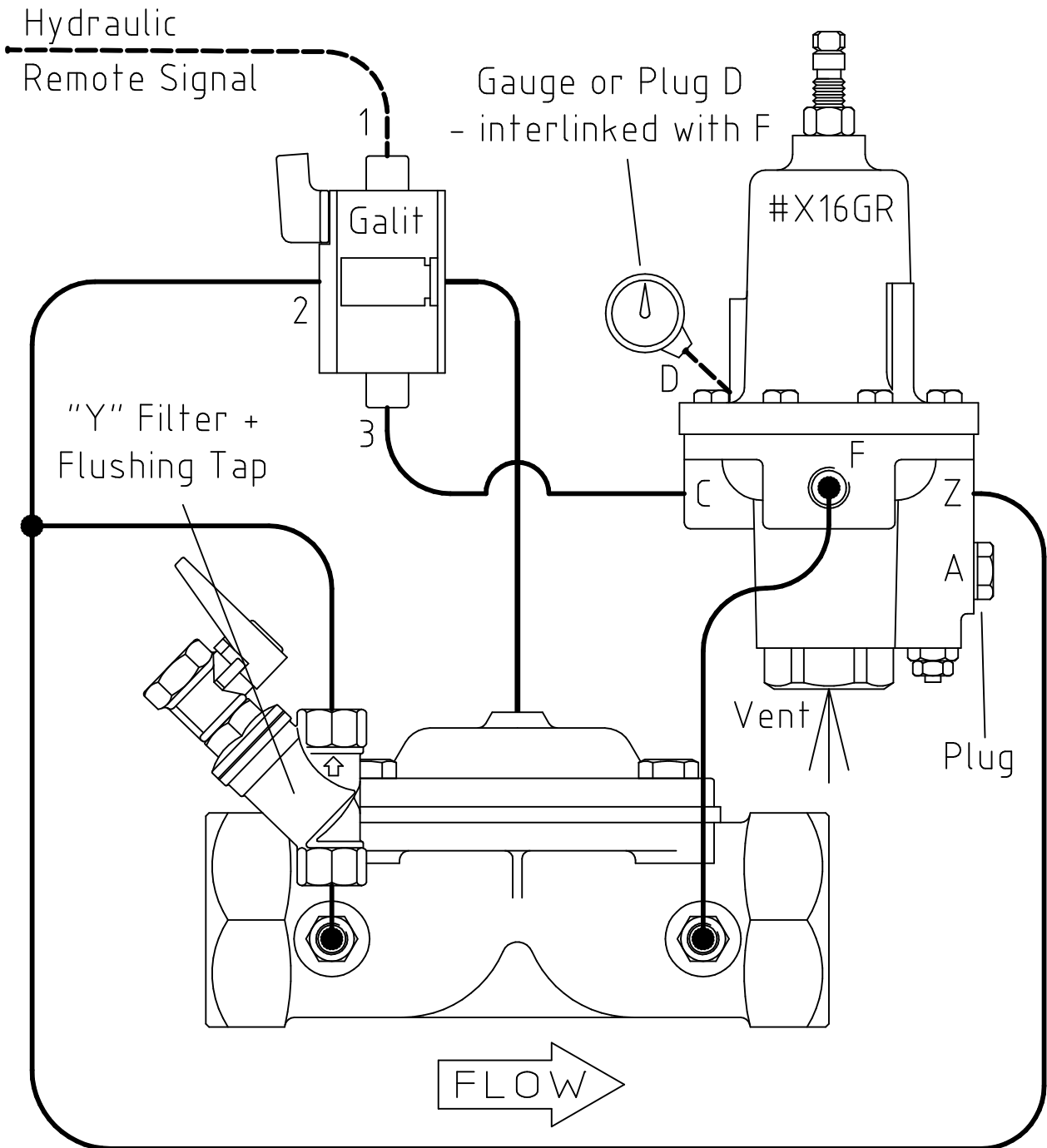




#059

PMB 51 Mannum
South Australia 5238
ph. (08) 8570 4251
fax. (08) 8570 4180

Hydraulic, Pressure Reducing, Normally Closed Valve
Relay ~ Galit
Pilot ~ Bermad, Brass, 3 Way, #X-16-G-R





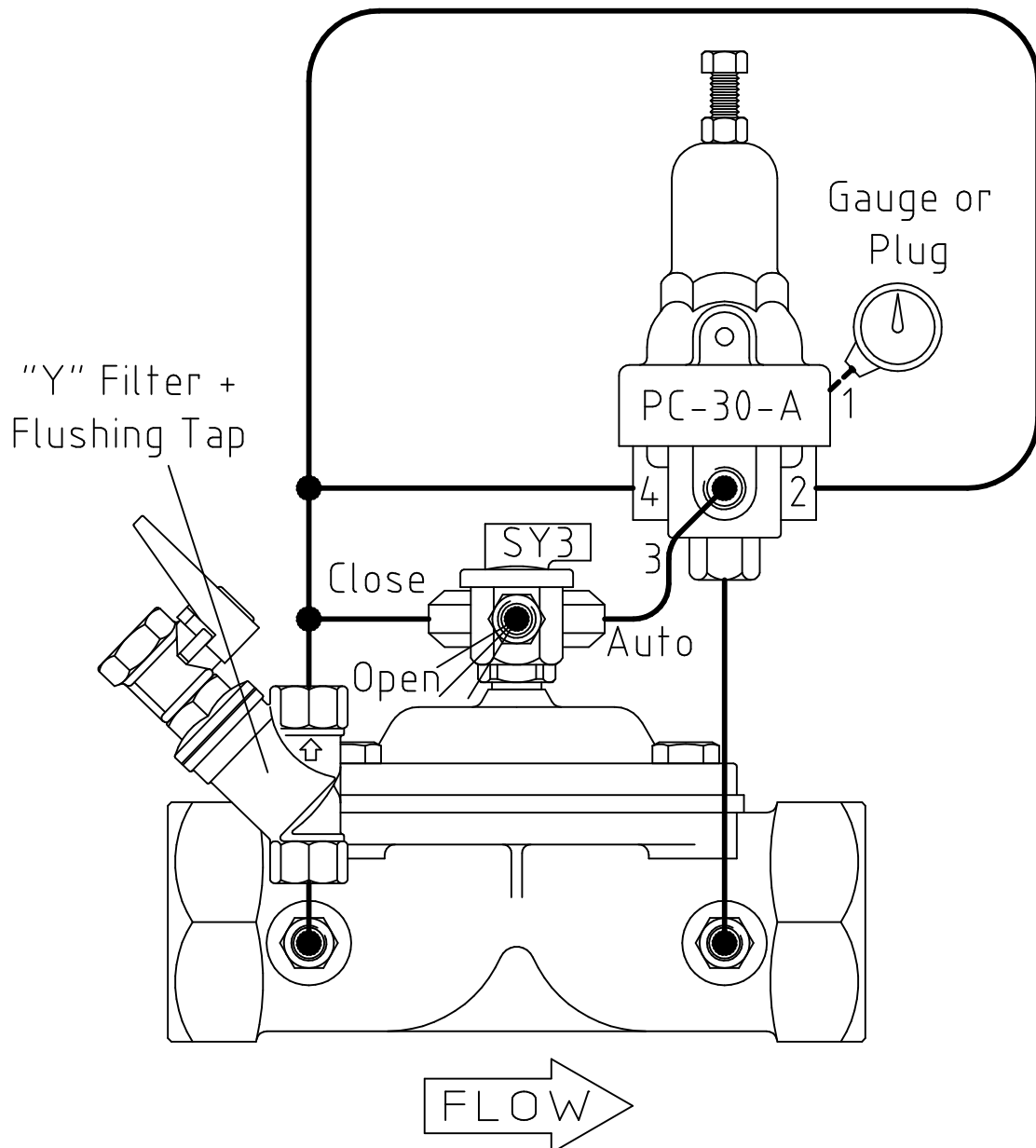
#061

PMB 51 Mannum
South Australia 5238
ph. (08) 8570 4251
fax. (08) 8570 4180

Manual, Pressure Sustaining Valve

Tap ~ SY3

Pilot ~ Bermad, Brass, 2 Way, PC-30-A





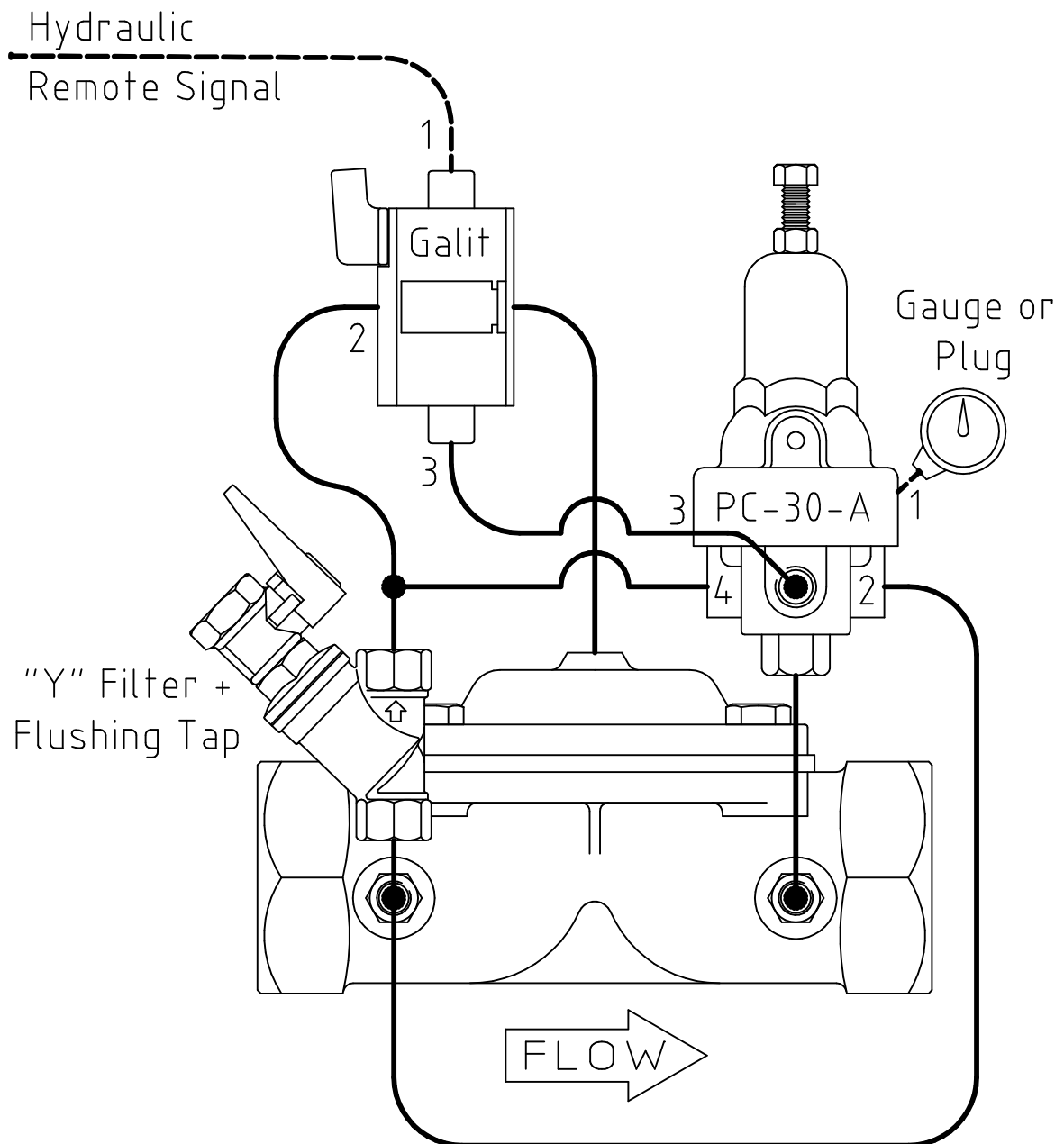
#069

PMB 51 Mannum
South Australia 5238
ph. (08) 8570 4251
fax. (08) 8570 4180

Hydraulic, Pressure Sustaining Valve

Relay ~ Galit

Pilot ~ Bermad, Brass, 2 Way, PC-30-A





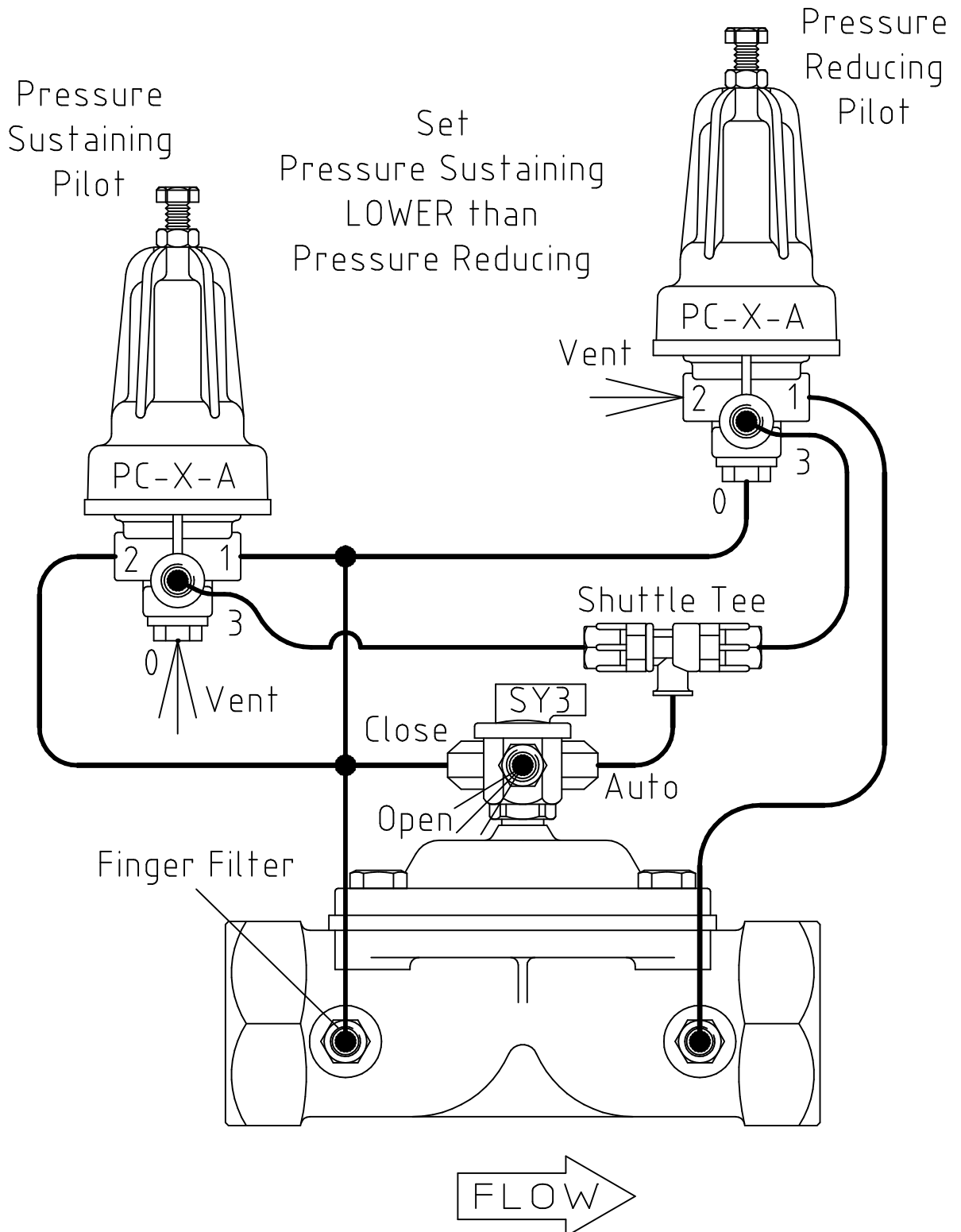
#071

PMB 51 Mannum
South Australia 5238
ph. (08) 8570 4251
fax. (08) 8570 4180

Manual, Pressure Sustaining & Reducing Valve

Tap ~ SY3

Pilots ~ Bermad, Plastic, 3 Way, PC-X-A

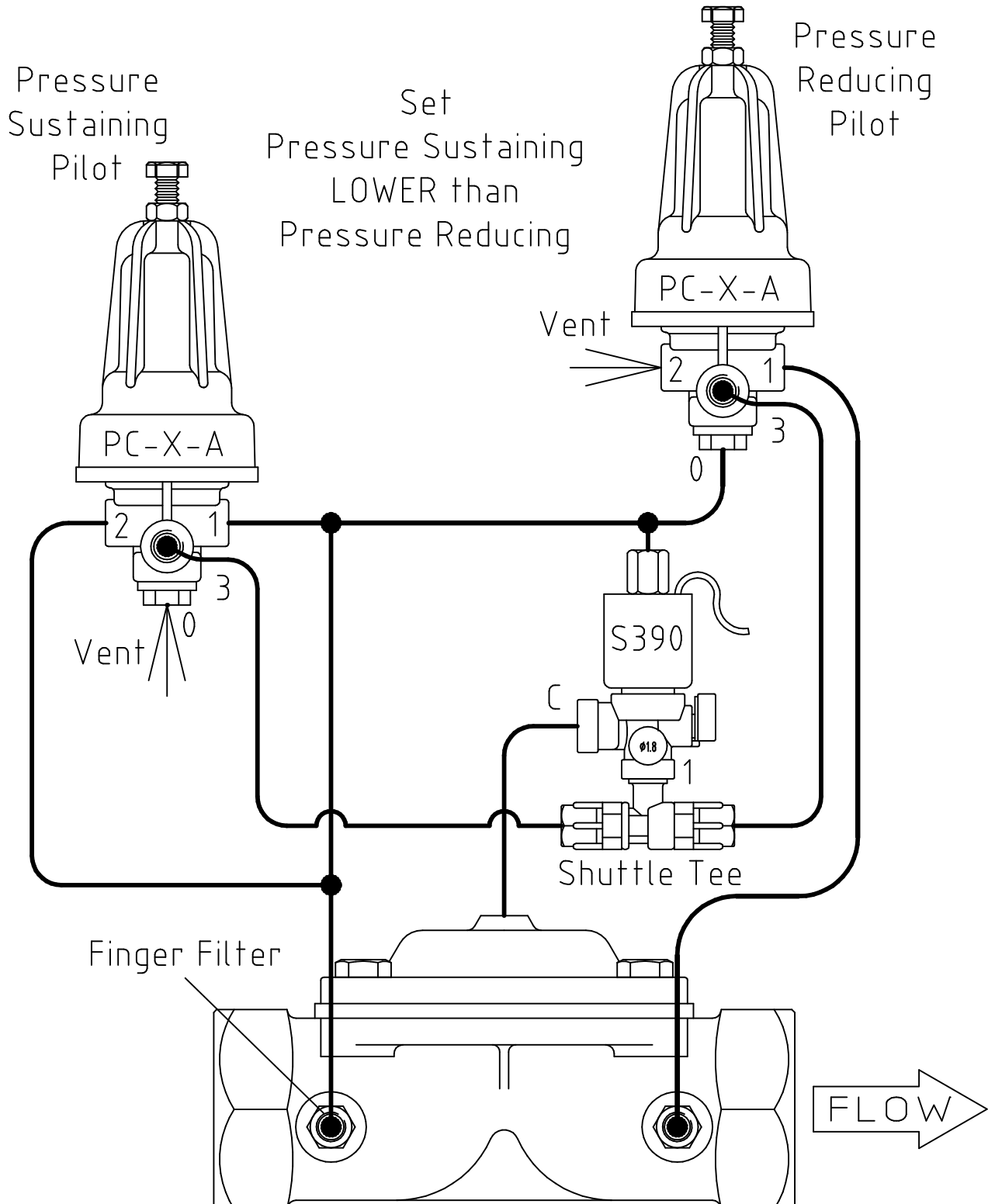




#074

PMB 51 Mannum
South Australia 5238
ph. (08) 8570 4251
fax. (08) 8570 4180

Electric, Pressure Sustaining & Reducing, N/C Valve
Solenoid ~ Bermad, S-390-3-R
Pilots ~ Bermad, Plastic, 3 Way, PC-X-A

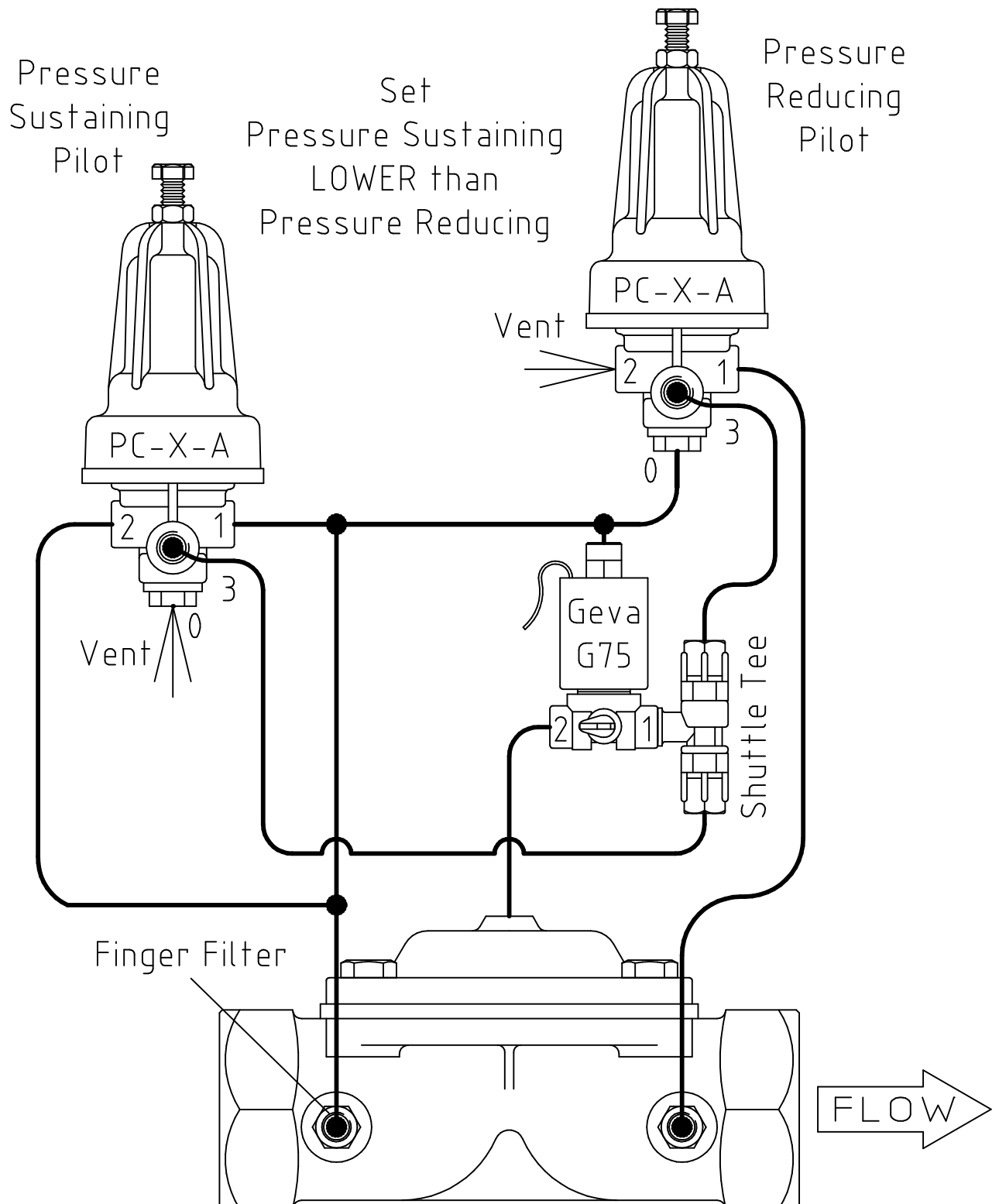




#076

PMB 51 Mannum
South Australia 5238
ph. (08) 8570 4251
fax. (08) 8570 4180

Electric, Pressure Sustaining & Reducing, N/C Valve
Solenoid ~ Baccara, Geva G75, 3WNO 1.6
Pilots ~ Bermad, Plastic, 3 Way, PC-X-A



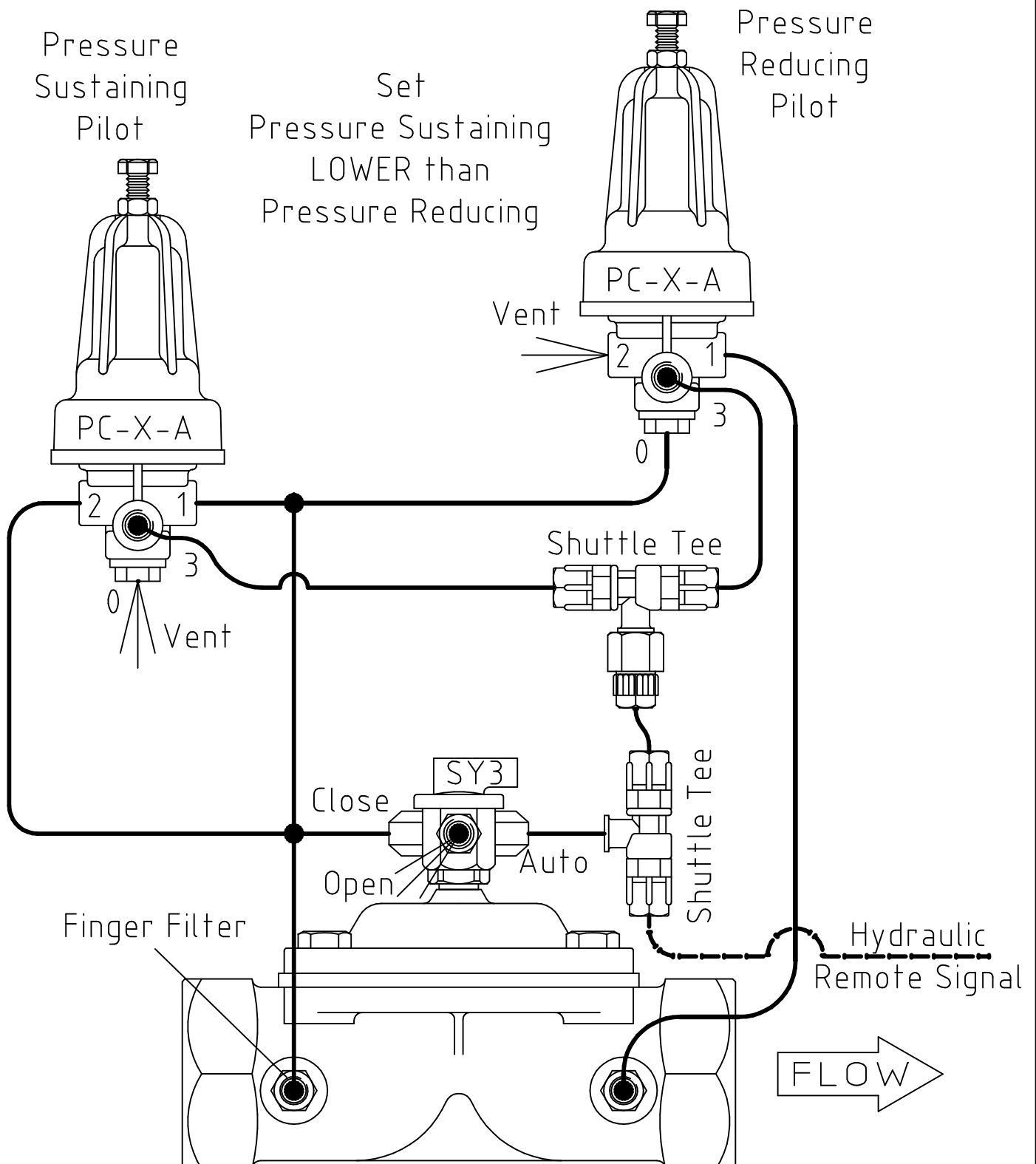


#078

PMB 51 Mannum
South Australia 5238
ph. (08) 8570 4251
fax. (08) 8570 4180

Hydraulic, Pressure Sustaining & Reducing, N/O Valve
Relay ~ Shuttle Tee

Pilots ~ Bermad, Plastic, 3 Way, PC-X-A



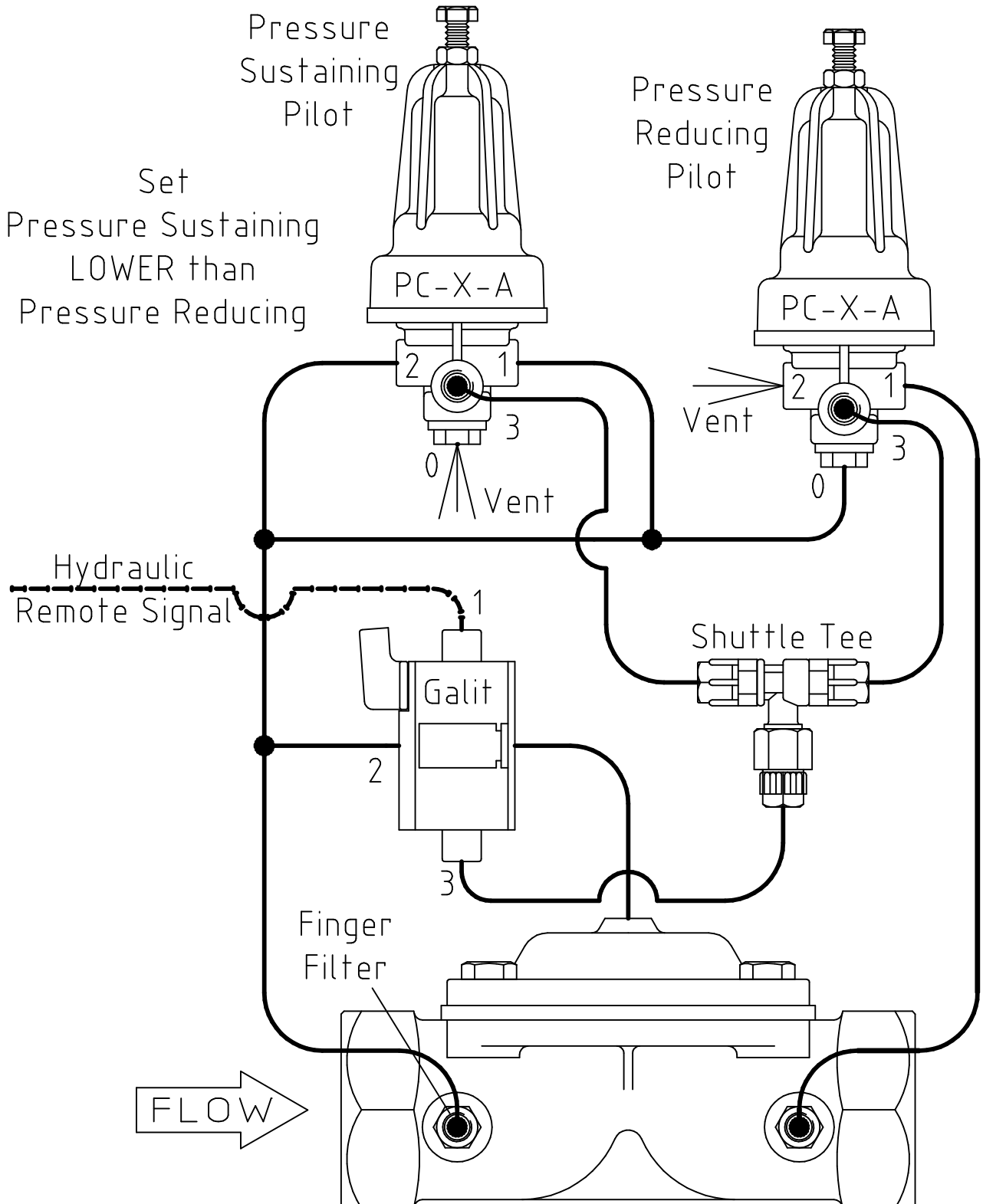


#079

PMB 51 Mannum
South Australia 5238
ph. (08) 8570 4251
fax. (08) 8570 4180

Hydraulic, Pressure Sustaining & Reducing, N/C Valve
Relay ~ Galit

Pilots ~ Bermad, Plastic, 3 Way, PC-X-A

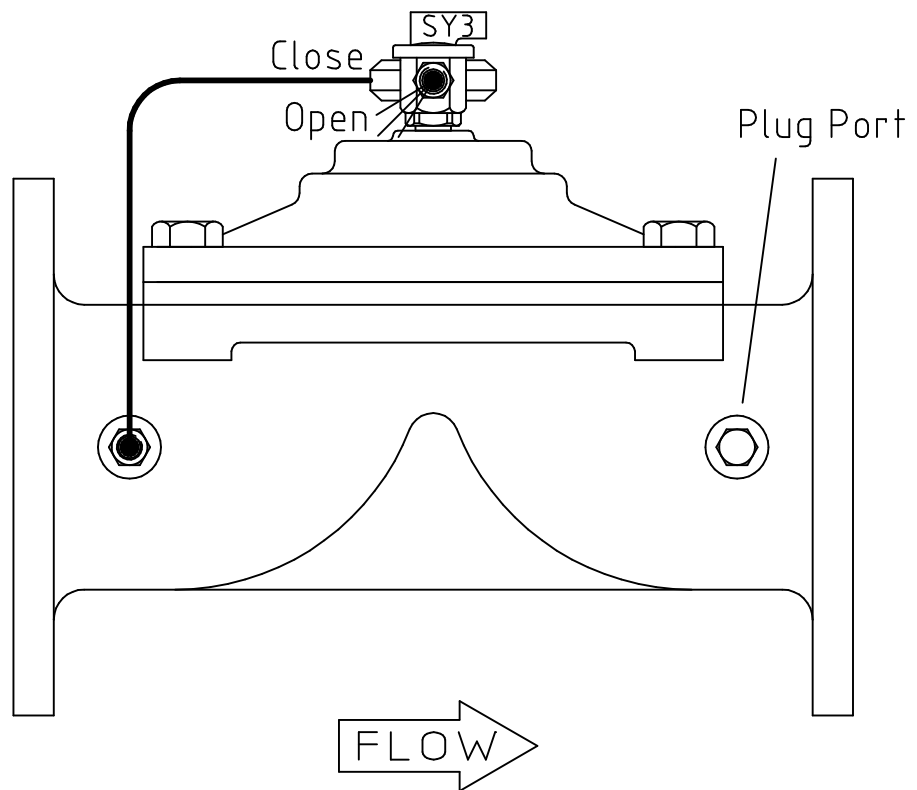




#101

PMB 51 Mannum
South Australia 5238
ph. (08) 8570 4251
fax. (08) 8570 4180

Manual Valve
Tap ~ SY3

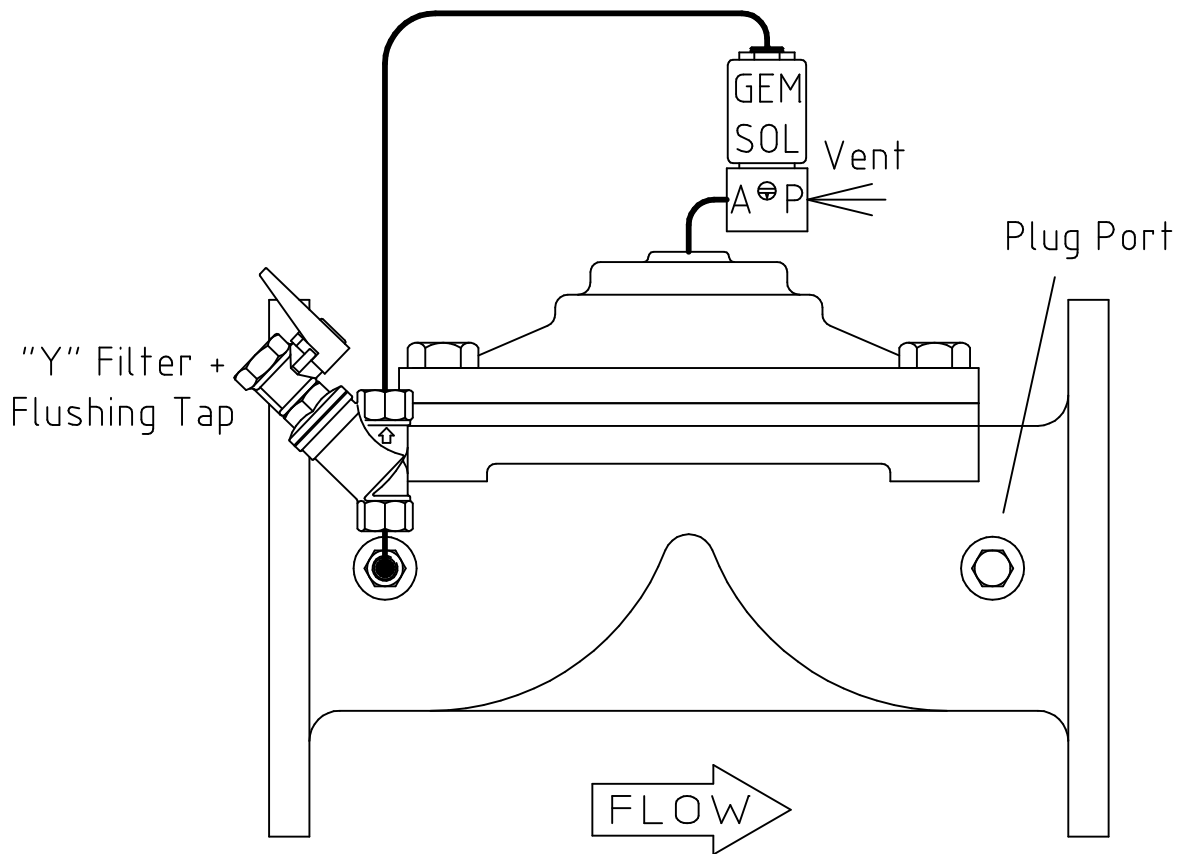




#102

PMB 51 Mannum
South Australia 5238
ph. (08) 8570 4251
fax. (08) 8570 4180

Electric, Normally Closed Valve
Solenoid ~ Baccara, Gem-Sol, 3-N/O Base

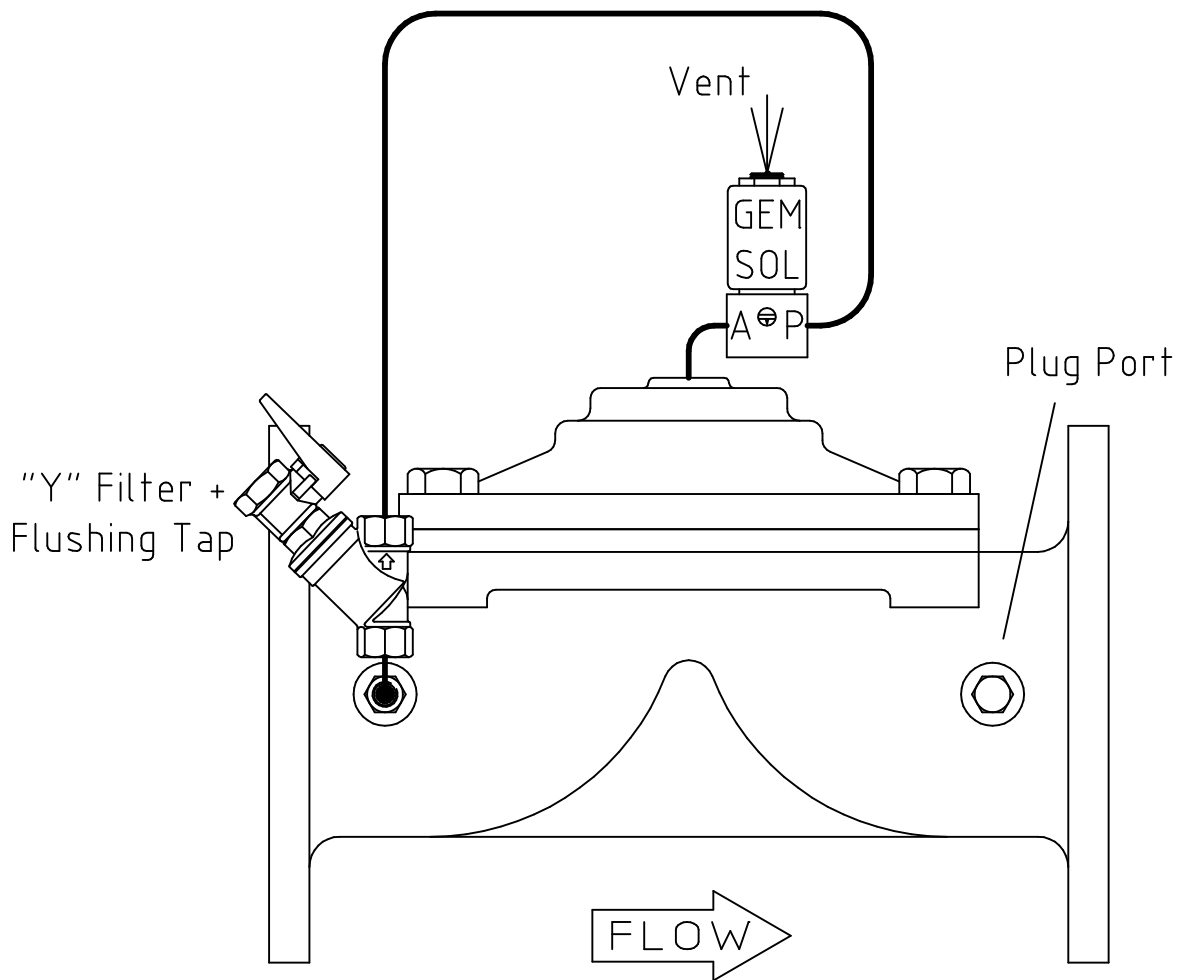




#103

PMB 51 Mannum
South Australia 5238
ph. (08) 8570 4251
fax. (08) 8570 4180

Electric, Normally Open Valve
Solenoid ~ Baccara, Gem-Sol, 3-N/O Base

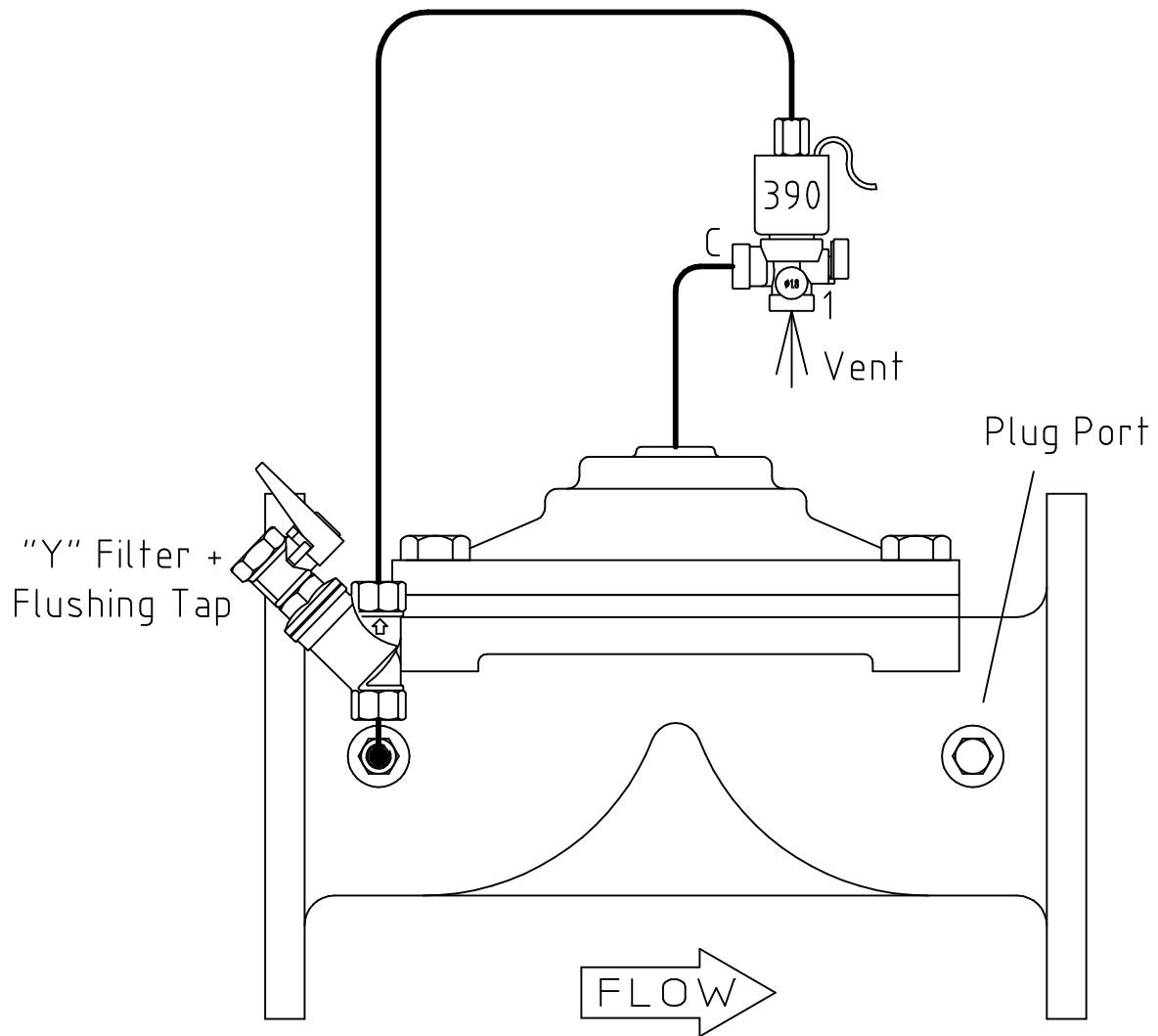




#104

PMB 51 Mannum
South Australia 5238
ph. (08) 8570 4251
fax. (08) 8570 4180

Electric, Normally Closed Valve
Solenoid ~ Bermad, S-390-3-R

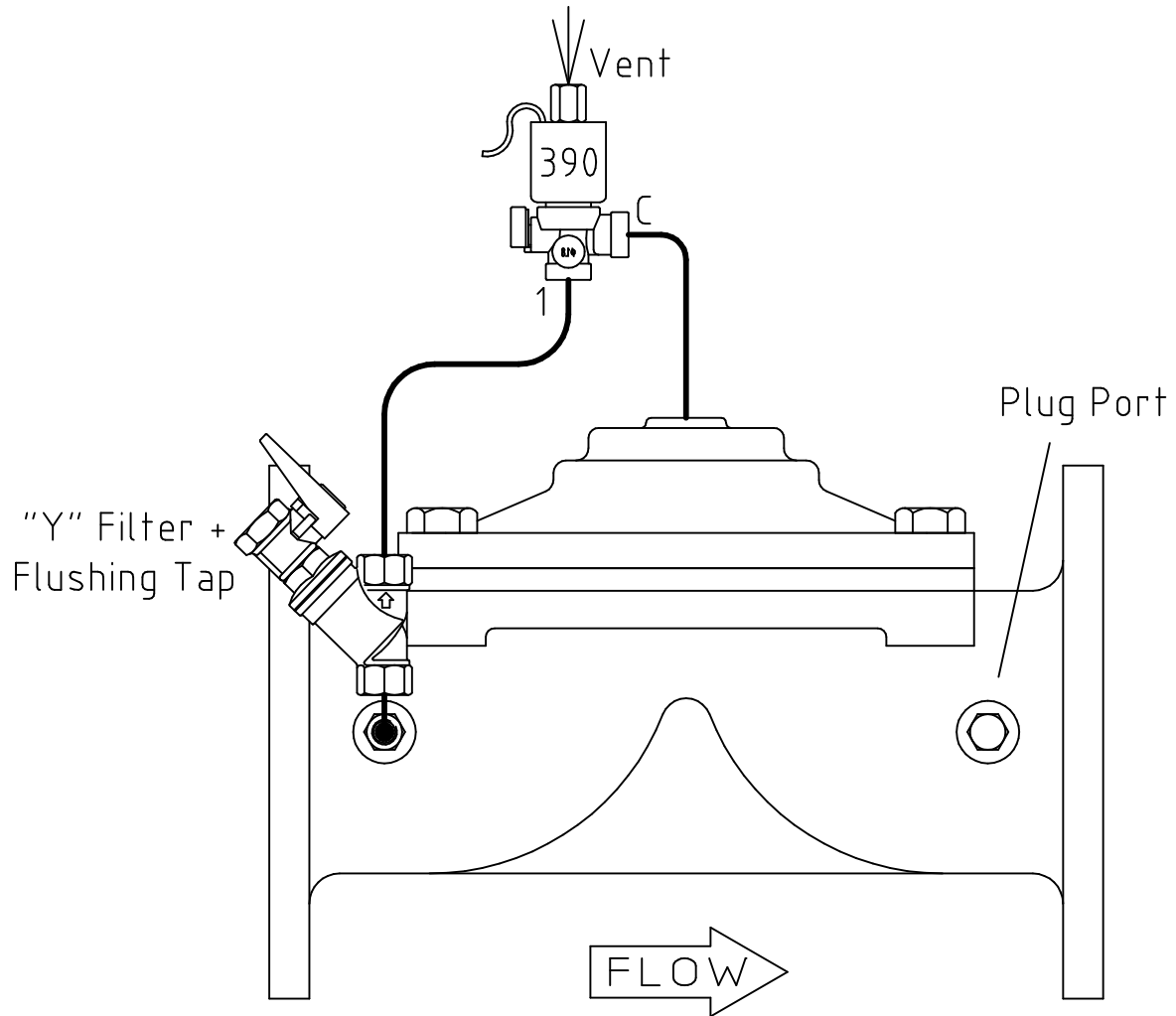




#105

PMB 51 Mannum
South Australia 5238
ph. (08) 8570 4251
fax. (08) 8570 4180

Electric, Normally Open Valve
Solenoid ~ Bermad, S-390-3-R

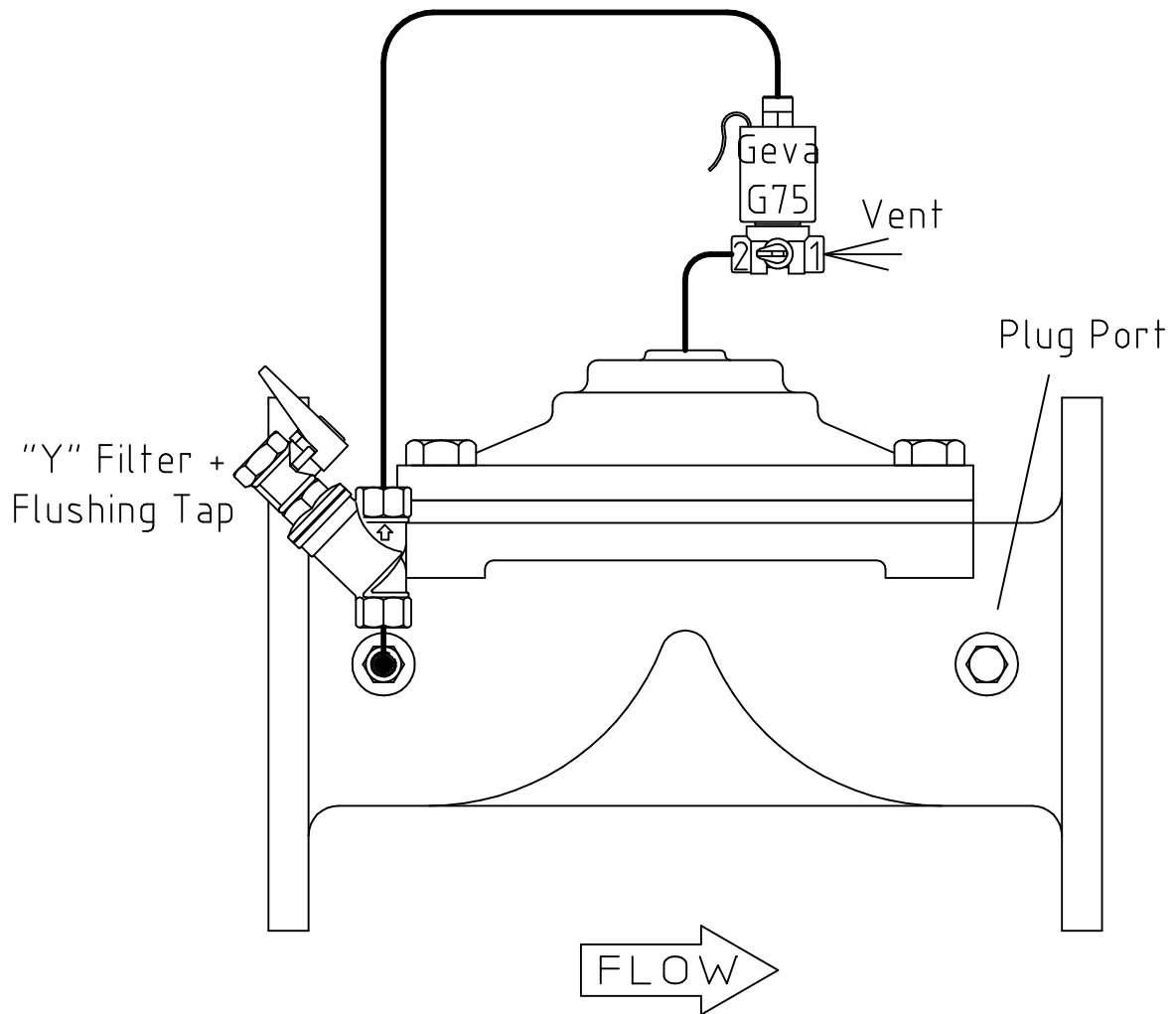




#106

PMB 51 Mannum
South Australia 5238
ph. (08) 8570 4251
fax. (08) 8570 4180

Electric, Normally Closed Valve
Solenoid ~ Baccara, Geva G75, 3WNO 1.6

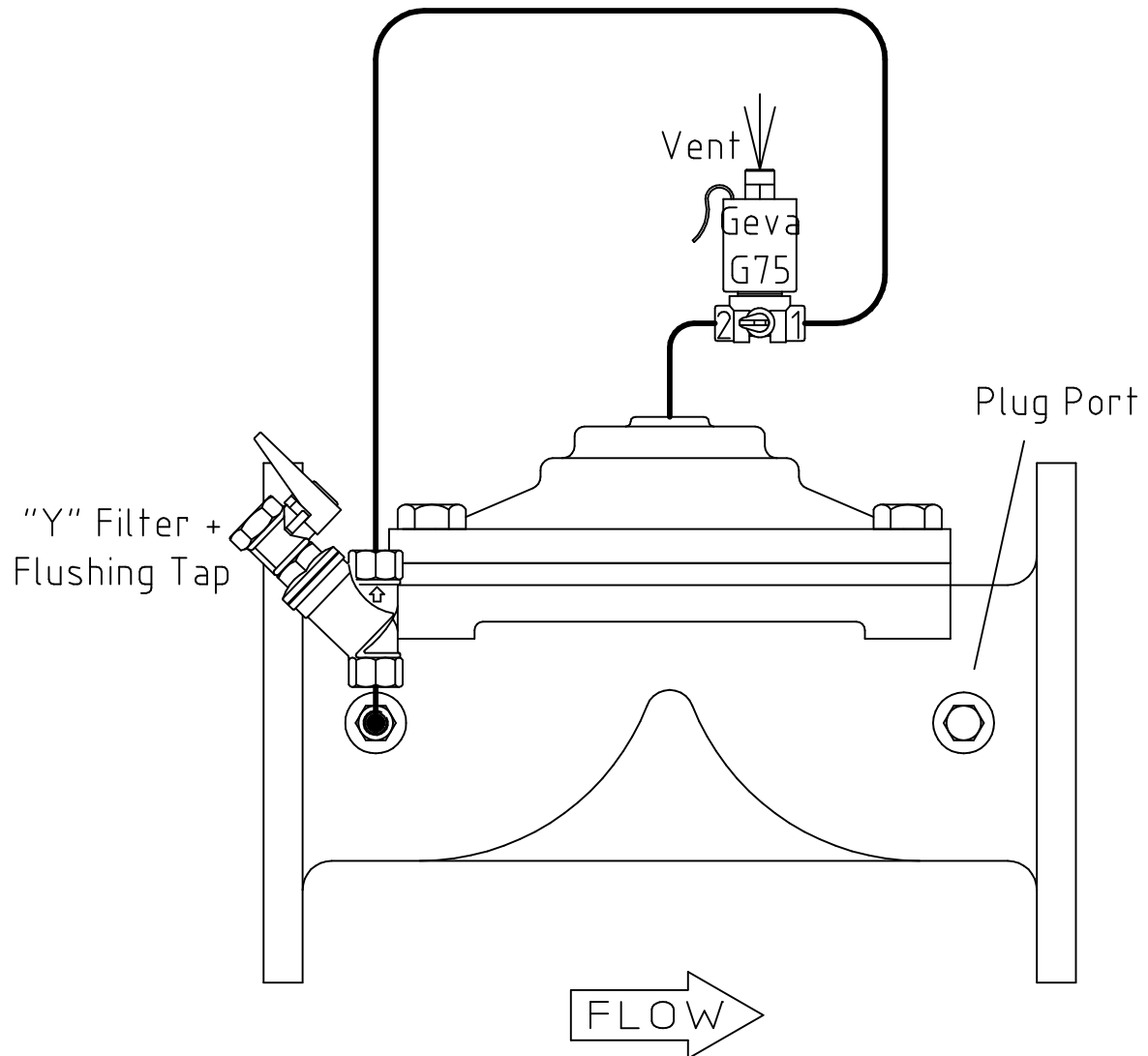




#107

PMB 51 Mannum
South Australia 5238
ph. (08) 8570 4251
fax. (08) 8570 4180

Electric, Normally Open Valve
Solenoid ~ Baccara, Geva G75, 3WNO 1.6

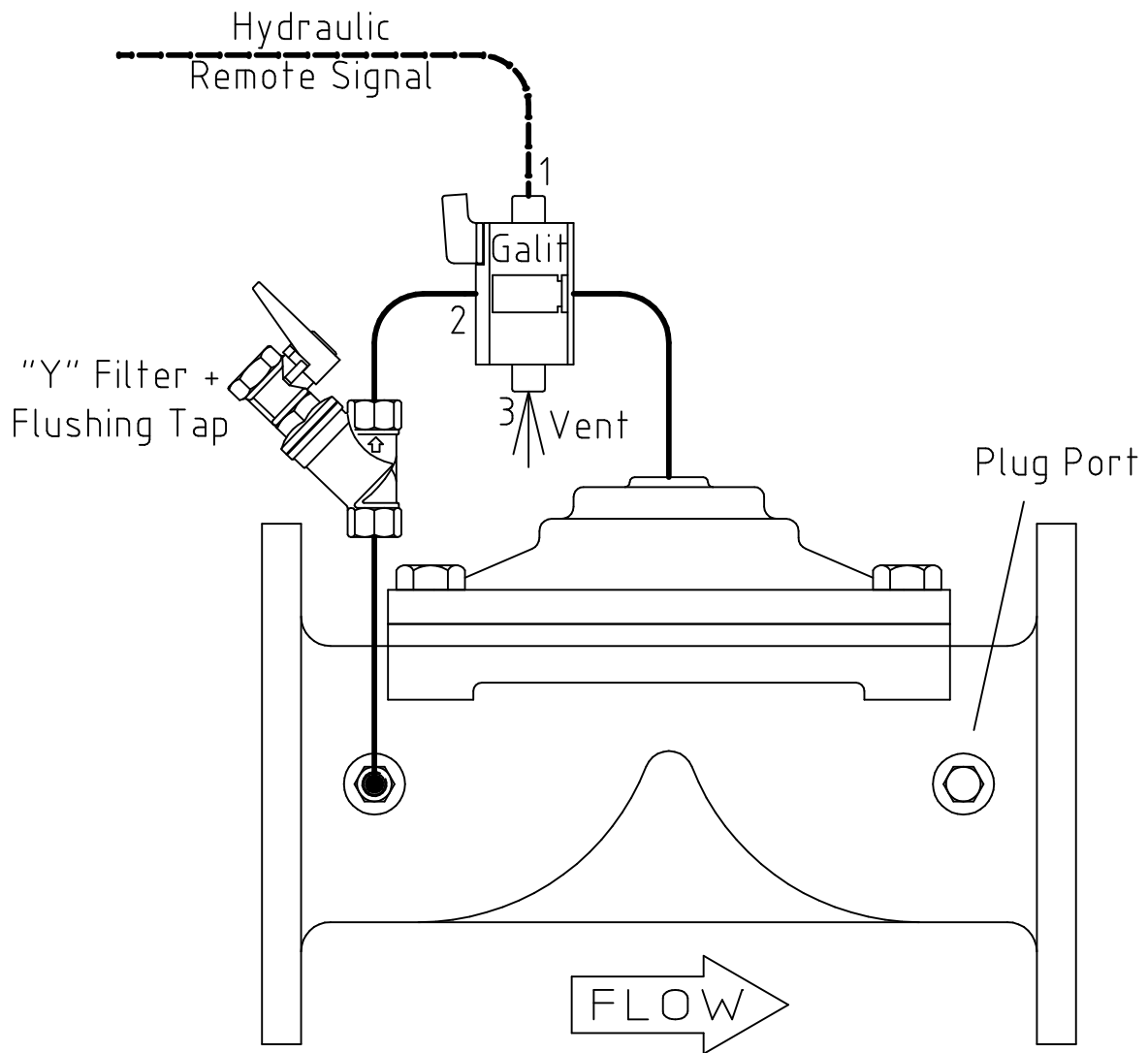




#109

PMB 51 Mannum
South Australia 5238
ph. (08) 8570 4251
fax. (08) 8570 4180

Hydraulic, Normally Closed Valve
Relay ~ Galit

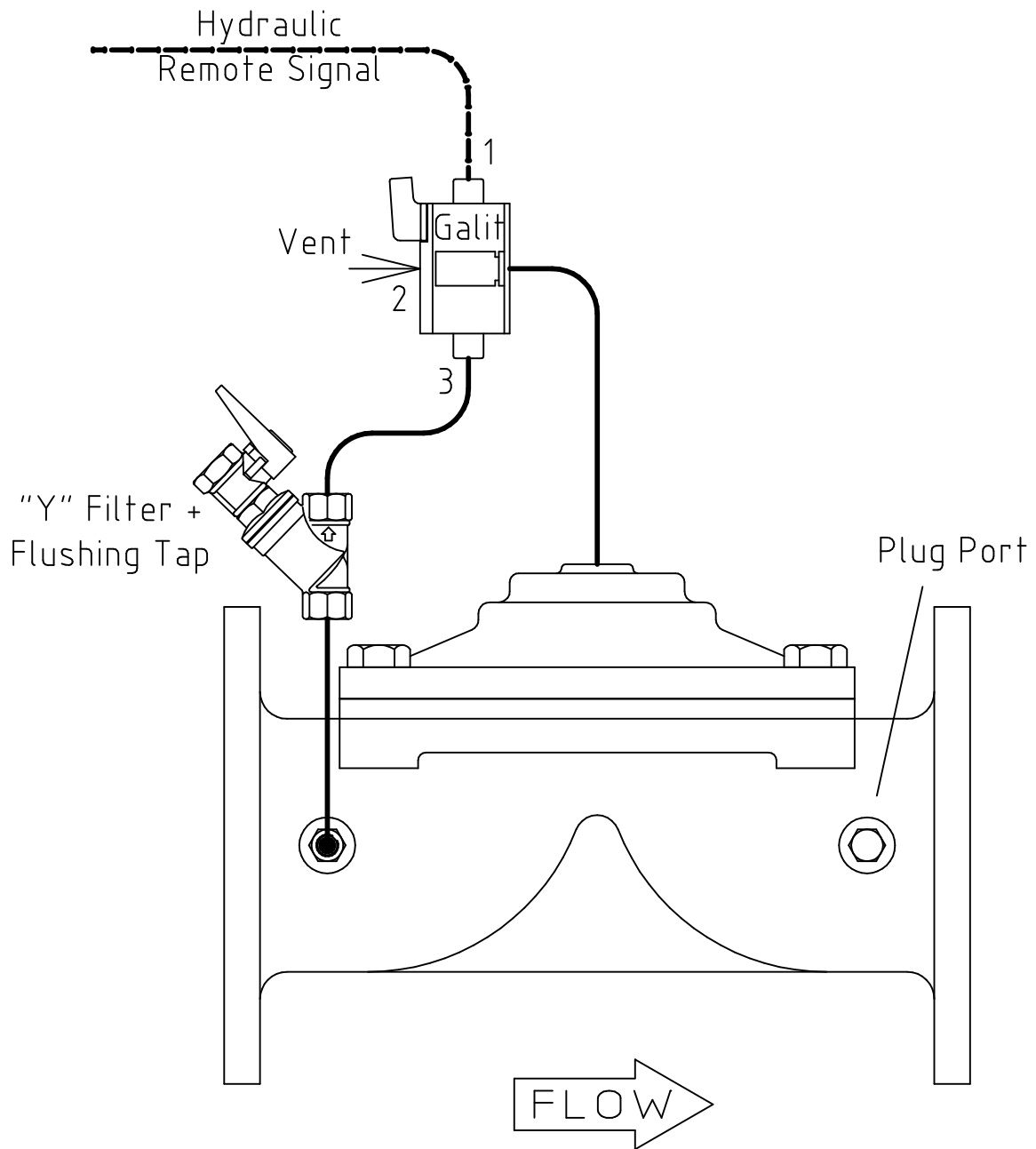




#110

PMB 51 Mannum
South Australia 5238
ph. (08) 8570 4251
fax. (08) 8570 4180

Hydraulic, Normally Open Valve
Relay ~ Galit





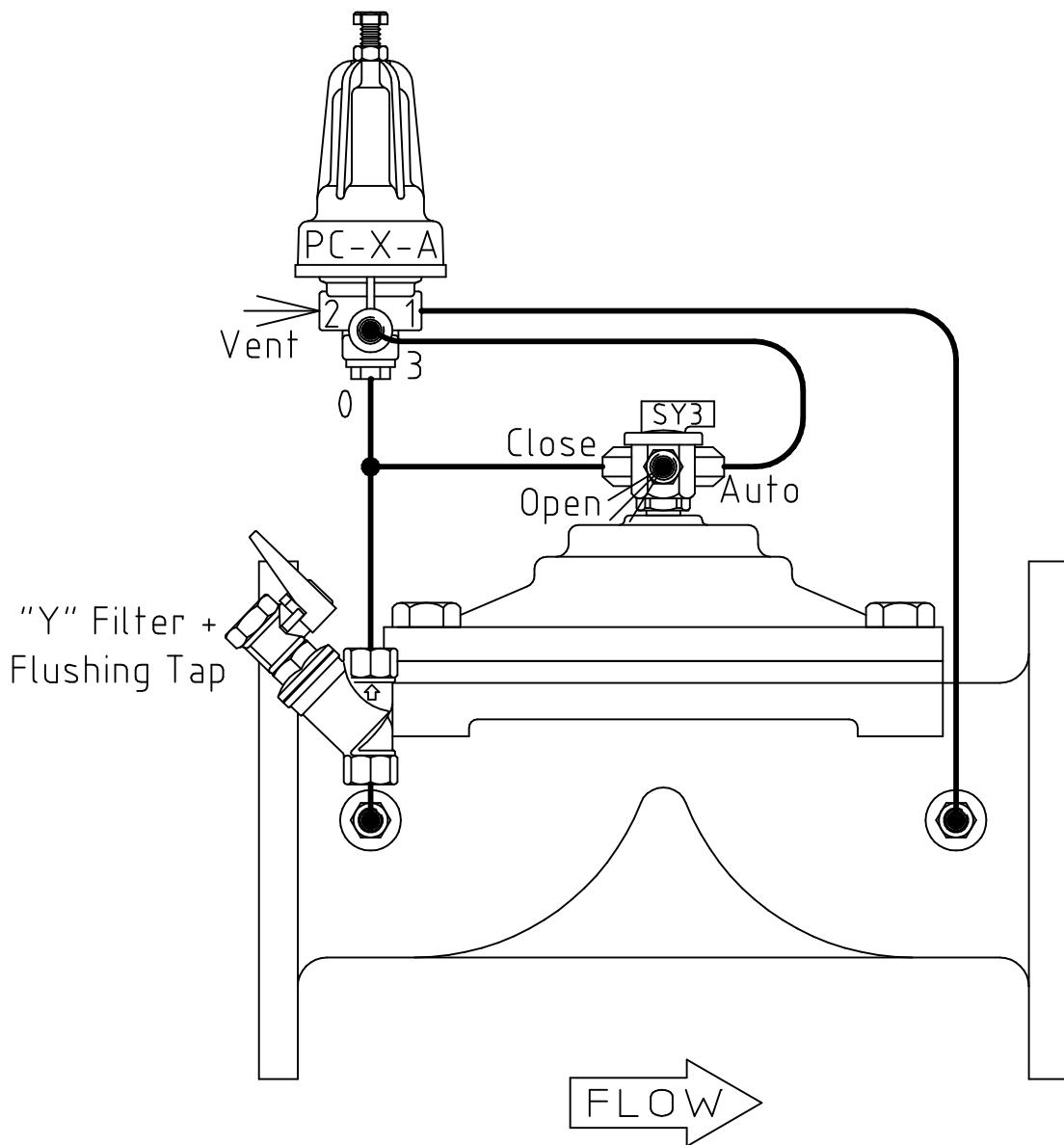
#111

PMB 51 Mannum
South Australia 5238
ph. (08) 8570 4251
fax. (08) 8570 4180

Manual, Pressure Reducing Valve

Tap ~ SY3

Pilot ~ Bermad, Plastic, 3 Way, PC-X-A

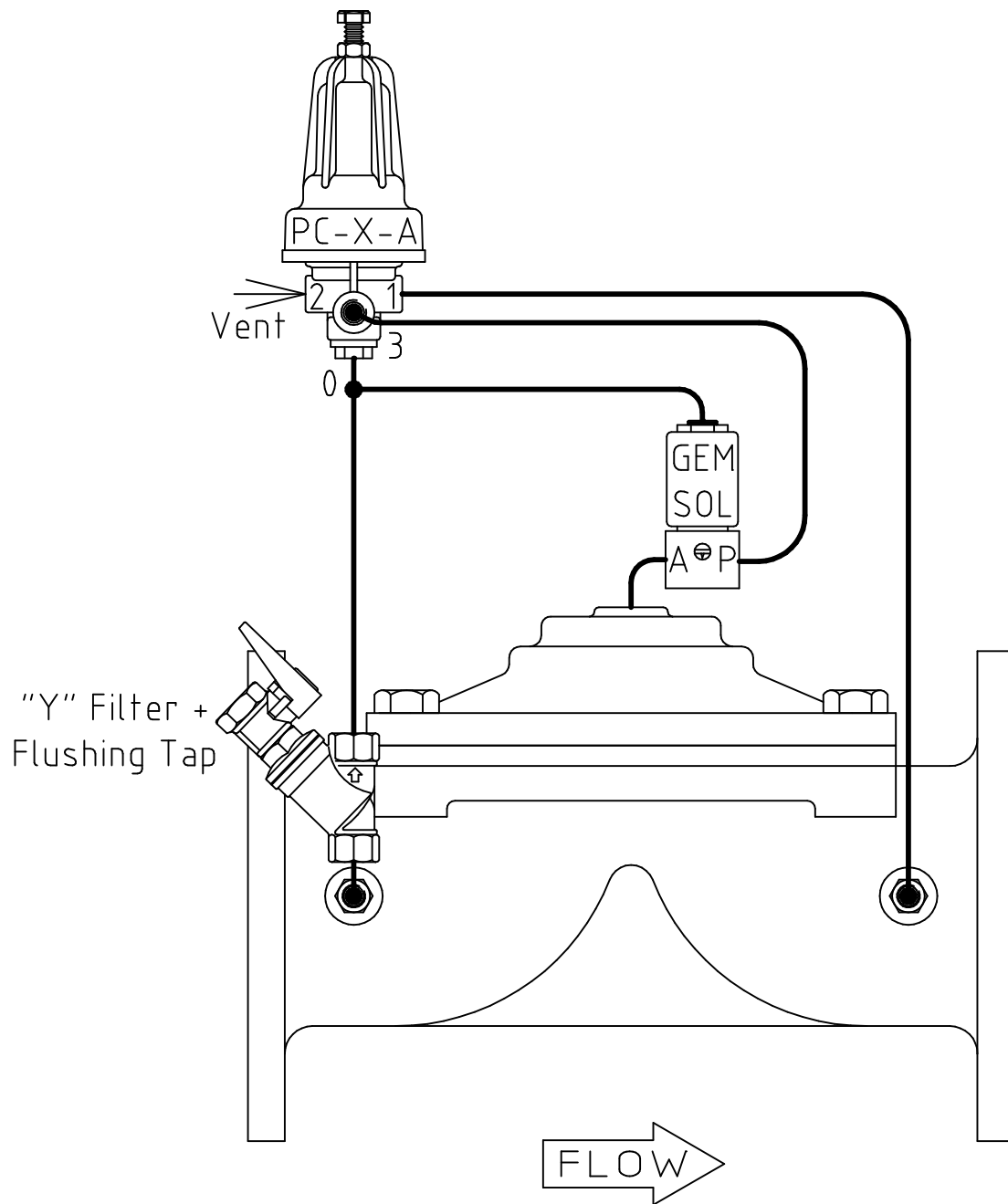




#112

PMB 51 Mannum
South Australia 5238
ph. (08) 8570 4251
fax. (08) 8570 4180

Electric, Pressure Reducing, Normally Closed Valve
Solenoid ~ Baccara, Gem-Sol, 3-N/O Base
Pilot ~ Bermad, Plastic, 3 Way, PC-X-A

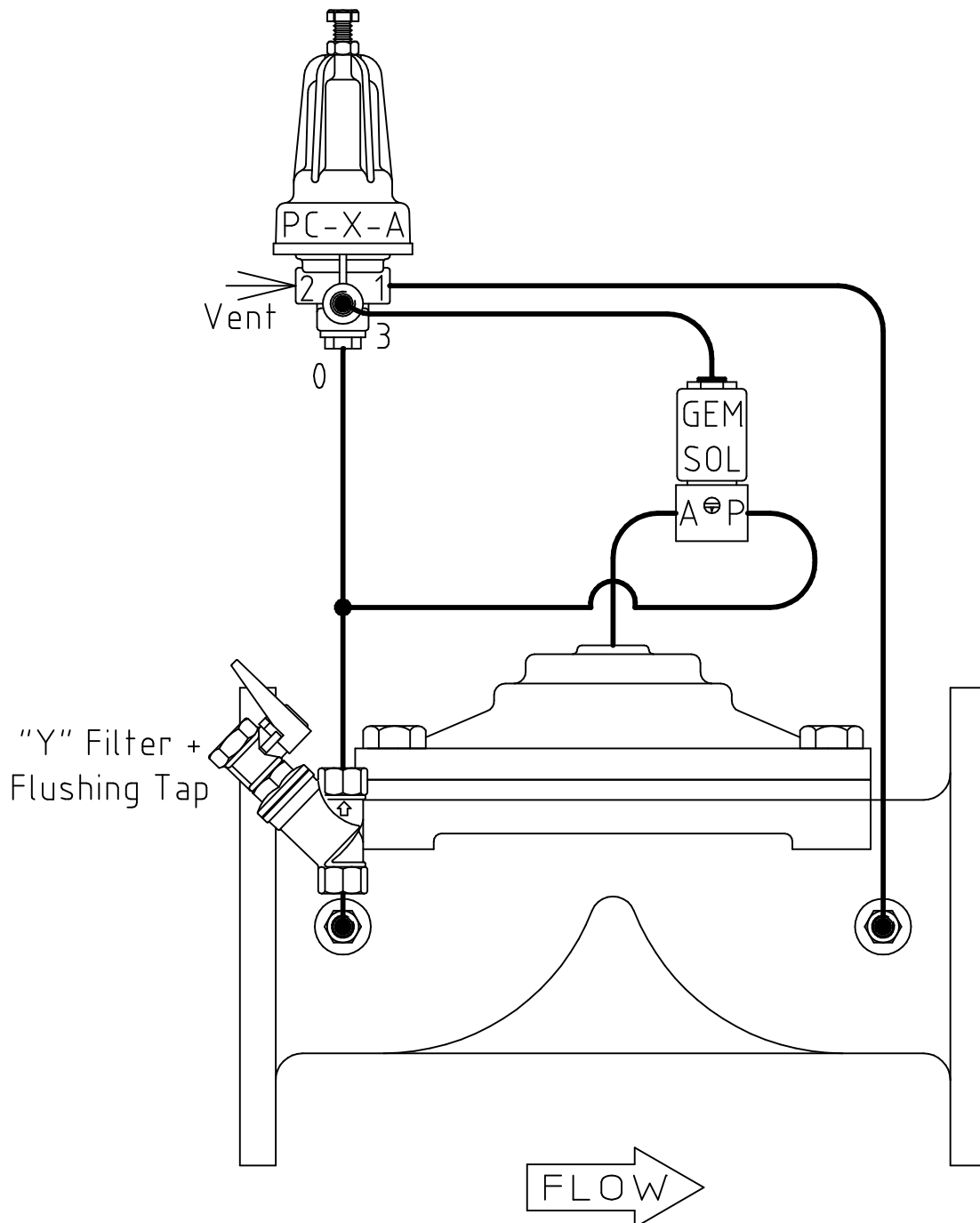




#113

PMB 51 Mannum
South Australia 5238
ph. (08) 8570 4251
fax. (08) 8570 4180

Electric, Pressure Reducing, Normally Open Valve
Solenoid ~ Baccara, Gem-Sol, 3-N/O Base
Pilot ~ Bermad, Plastic, 3 Way, PC-X-A

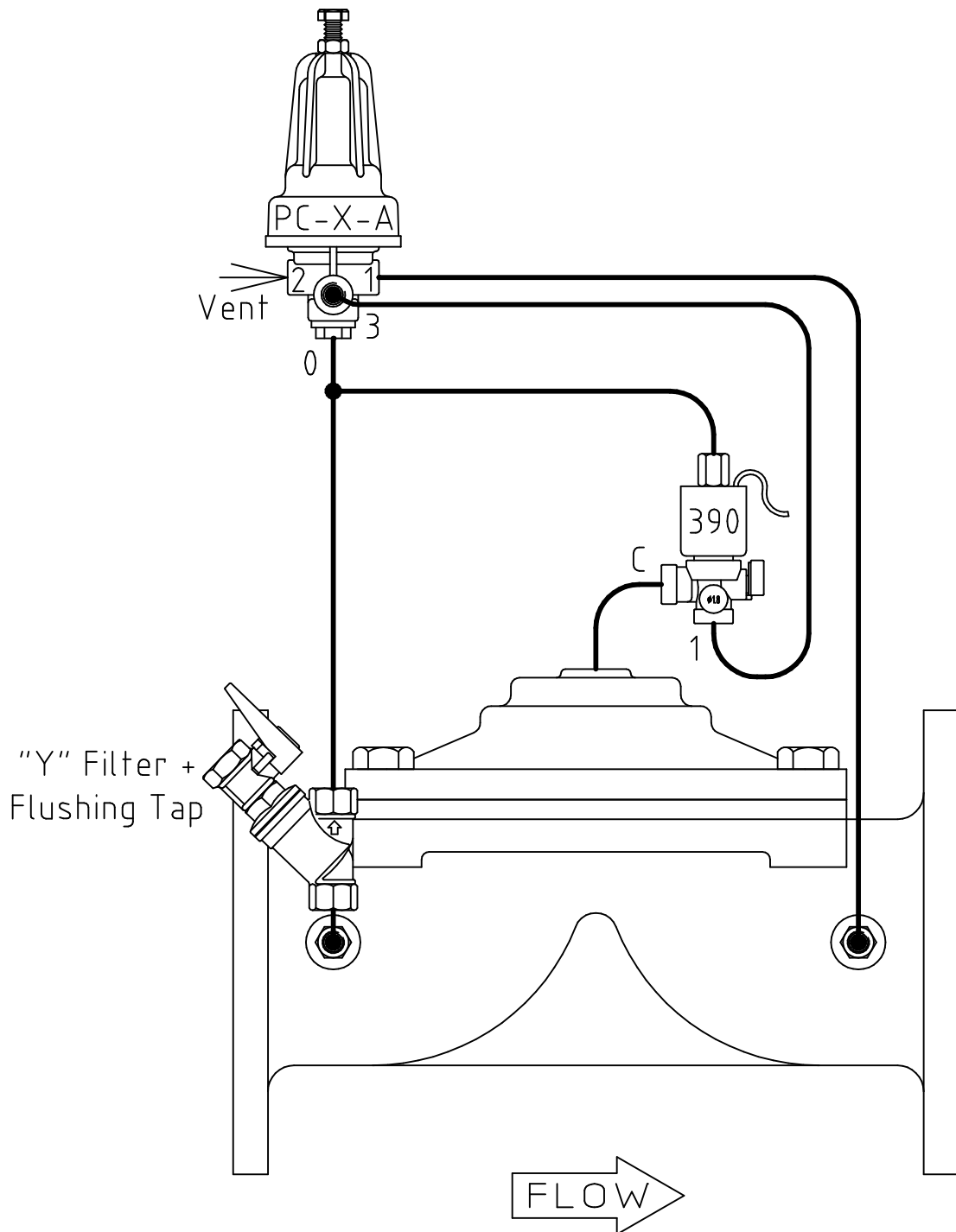




#114

PMB 51 Mannum
South Australia 5238
ph. (08) 8570 4251
fax. (08) 8570 4180

Electric, Pressure Reducing, Normally Closed Valve
Solenoid ~ Bermad, S-390-3-R
Pilot ~ Bermad, Plastic, 3 Way, PC-X-A

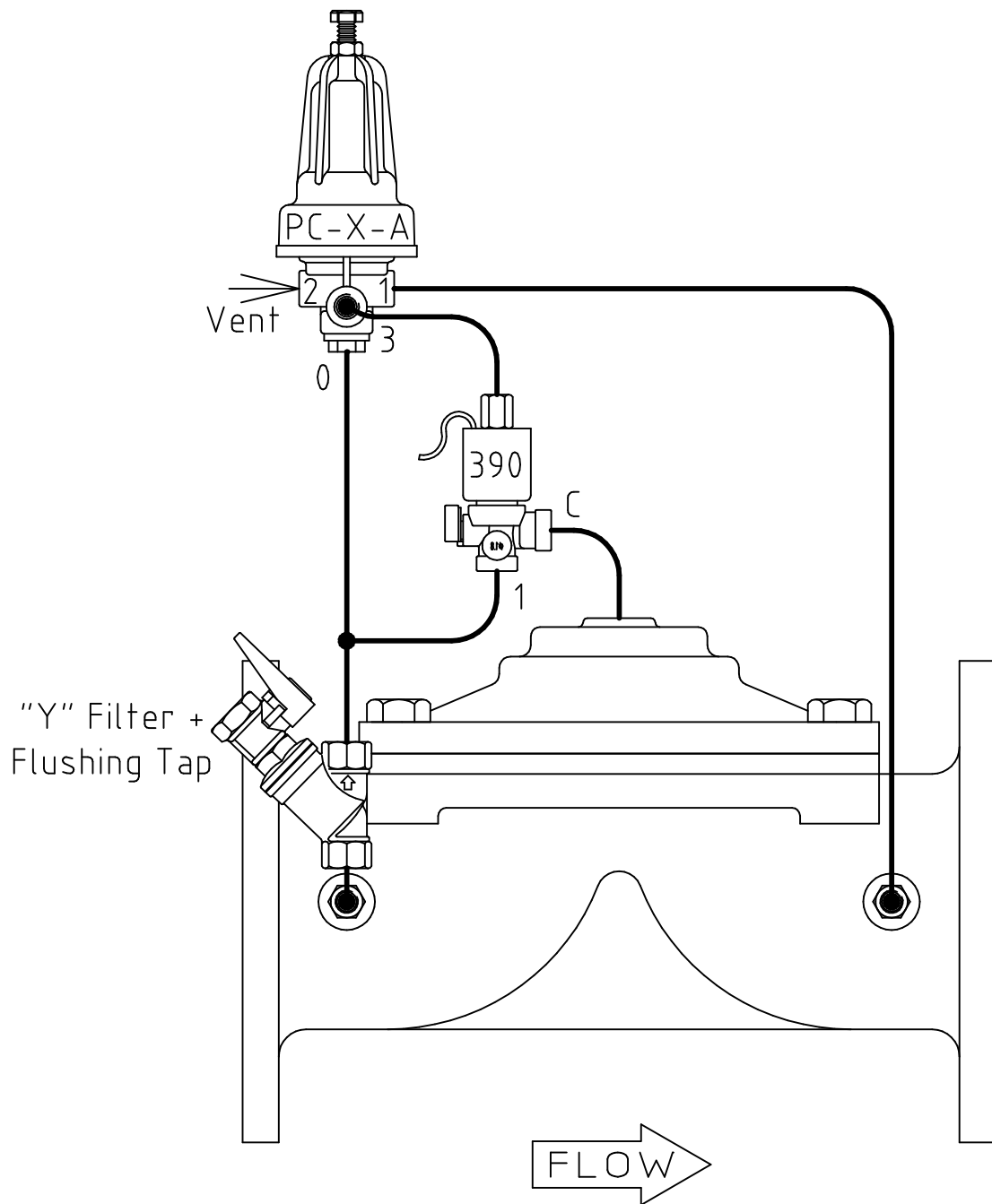




#115

PMB 51 Mannum
South Australia 5238
ph. (08) 8570 4251
fax. (08) 8570 4180

Electric, Pressure Reducing, Normally Open Valve
Solenoid ~ Bermad, S-390-3-R
Pilot ~ Bermad, Plastic, 3 Way, PC-X-A

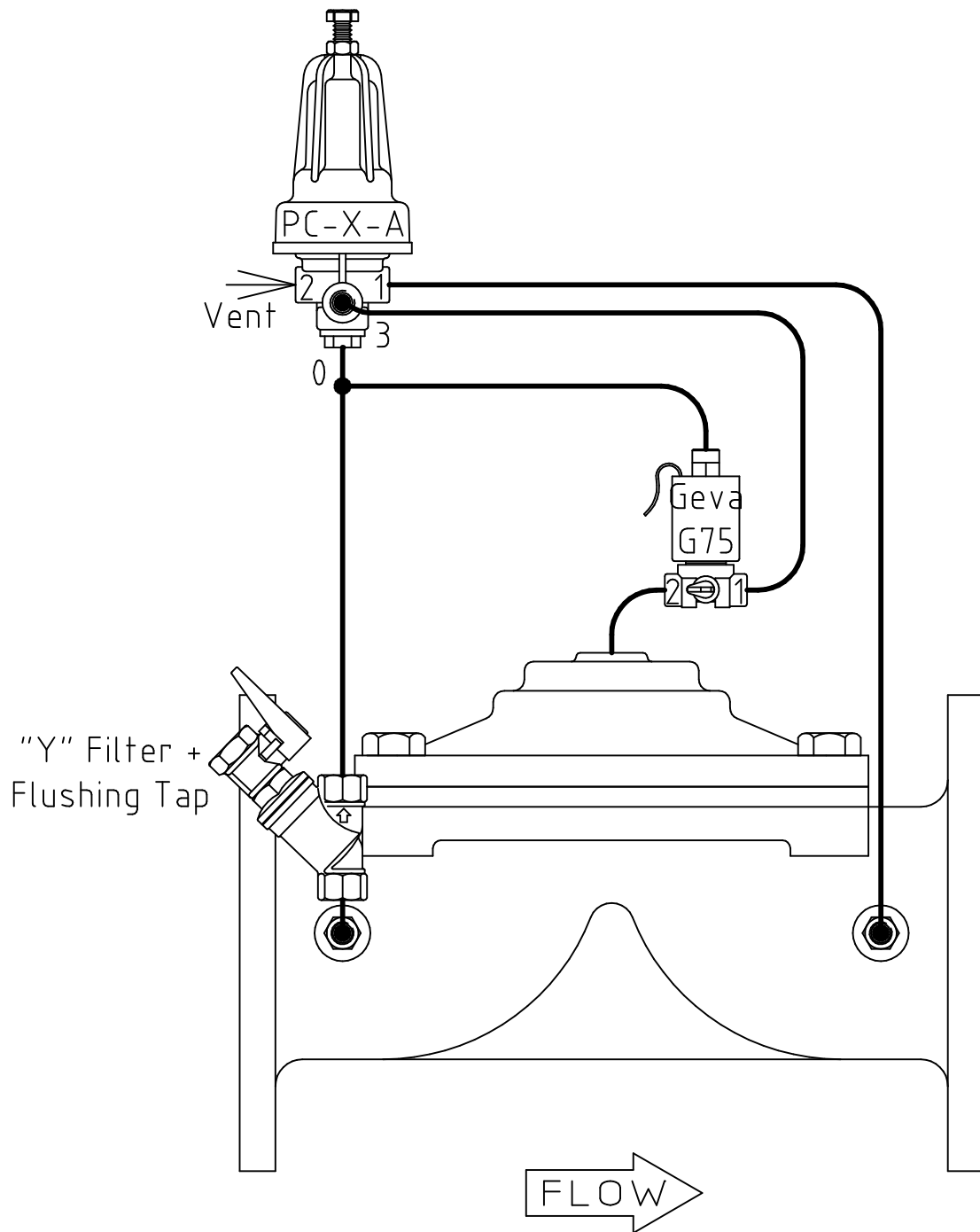




#116

PMB 51 Mannum
South Australia 5238
ph. (08) 8570 4251
fax. (08) 8570 4180

Electric, Pressure Reducing, Normally Closed Valve
Solenoid ~ Baccara, Geva G75, 3WNO 1.6
Pilot ~ Bermad, Plastic, 3 Way, PC-X-A

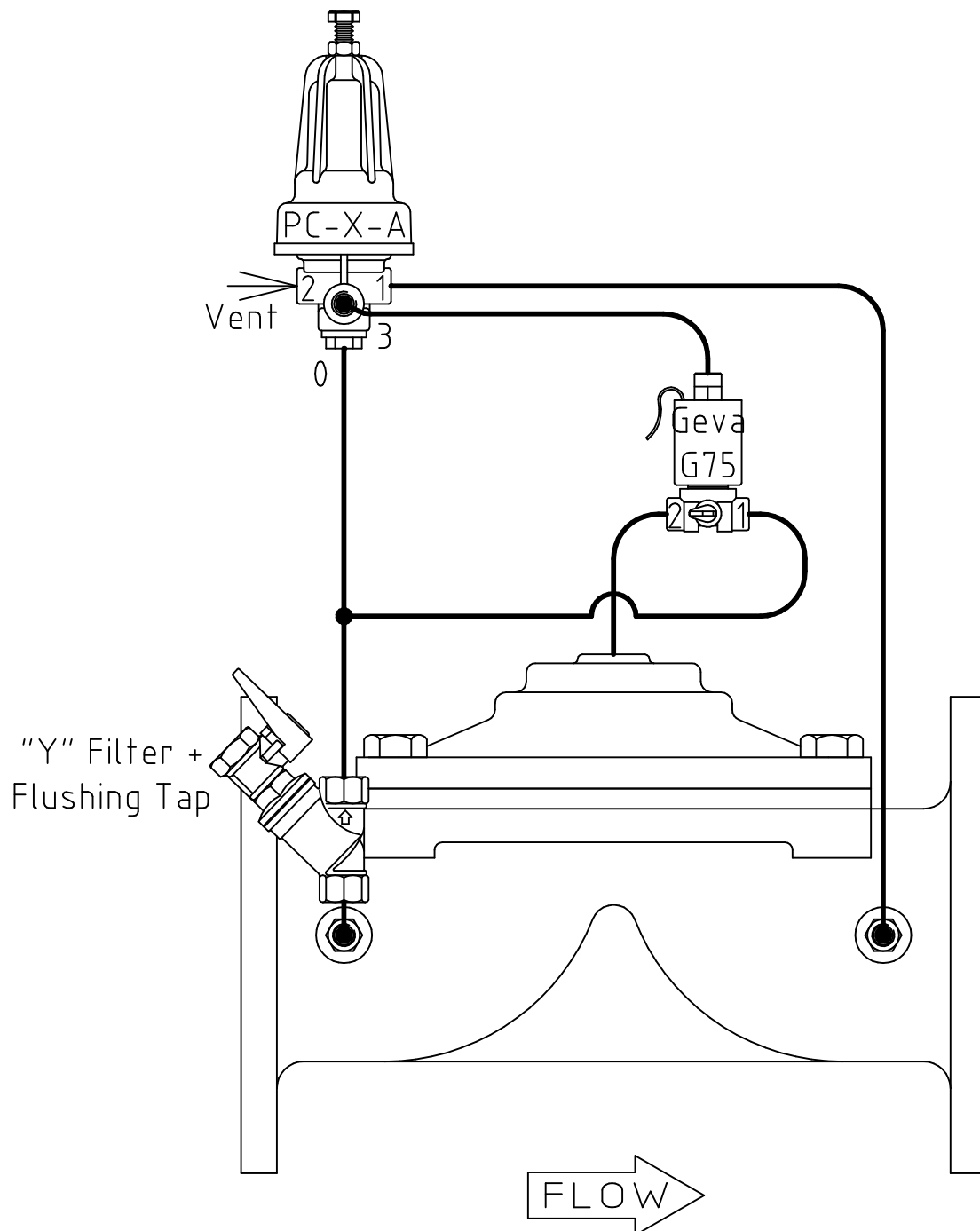




#117

PMB 51 Mannum
South Australia 5238
ph. (08) 8570 4251
fax. (08) 8570 4180

Electric, Pressure Reducing, Normally Open Valve
Solenoid ~ Baccara, Geva G75, 3WNO 1.6
Pilot ~ Bermad, Plastic, 3 Way, PC-X-A

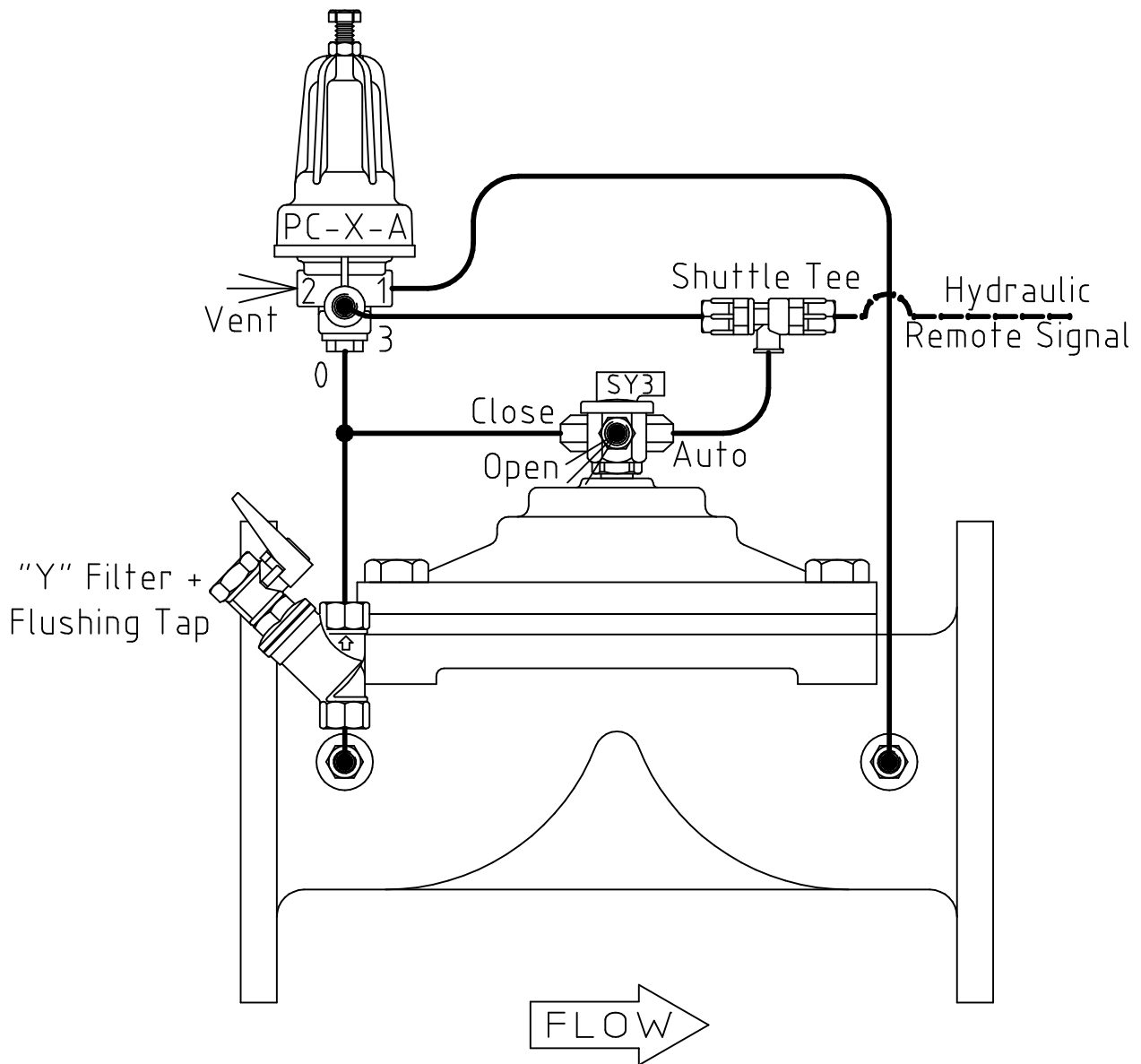




#118

PMB 51 Mannum
South Australia 5238
ph. (08) 8570 4251
fax. (08) 8570 4180

Hydraulic, Pressure Reducing, Normally Open Valve
Relay ~ Shuttle Tee
Pilot ~ Bermad, Plastic, 3 Way, PC-X-A

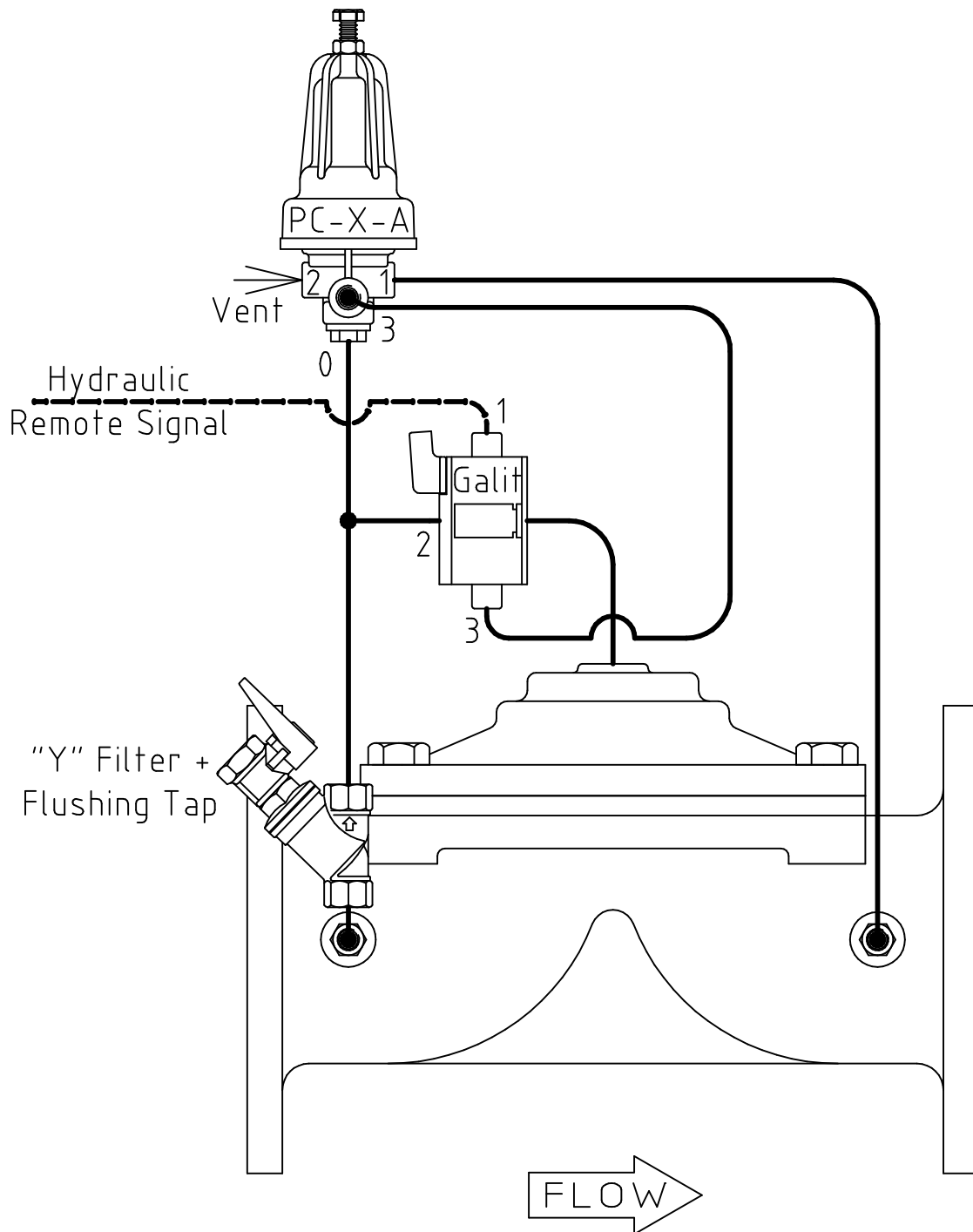




#119

PMB 51 Mannum
South Australia 5238
ph. (08) 8570 4251
fax. (08) 8570 4180

Hydraulic, Pressure Reducing, Normally Closed Valve
Relay ~ Galit
Pilot ~ Bermad, Plastic, 3 Way, PC-X-A

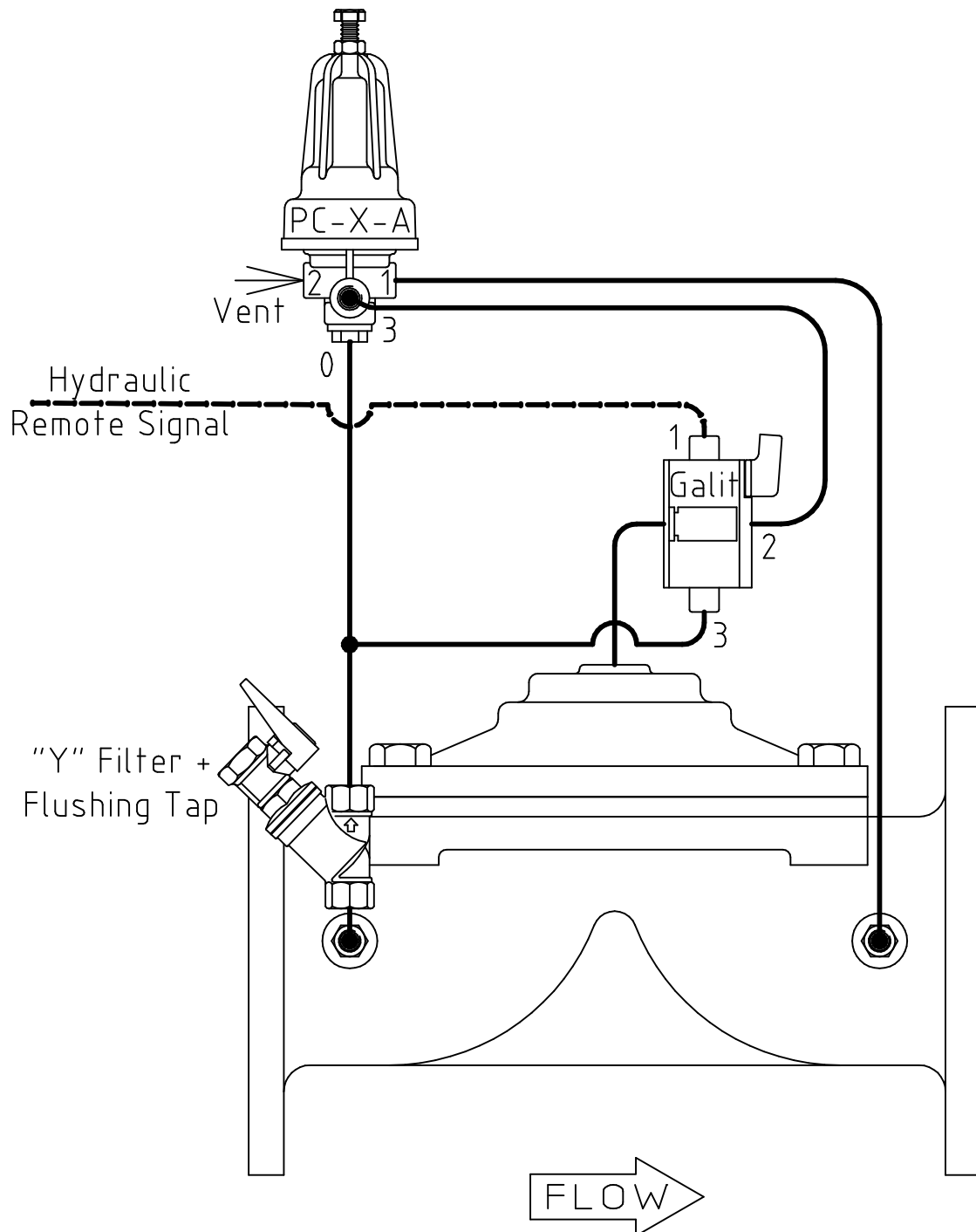




#120

PMB 51 Mannum
South Australia 5238
ph. (08) 8570 4251
fax. (08) 8570 4180

Hydraulic, Pressure Reducing, Normally Open Valve
Relay ~ Galit
Pilot ~ Bermad, Plastic, 3 Way, PC-X-A





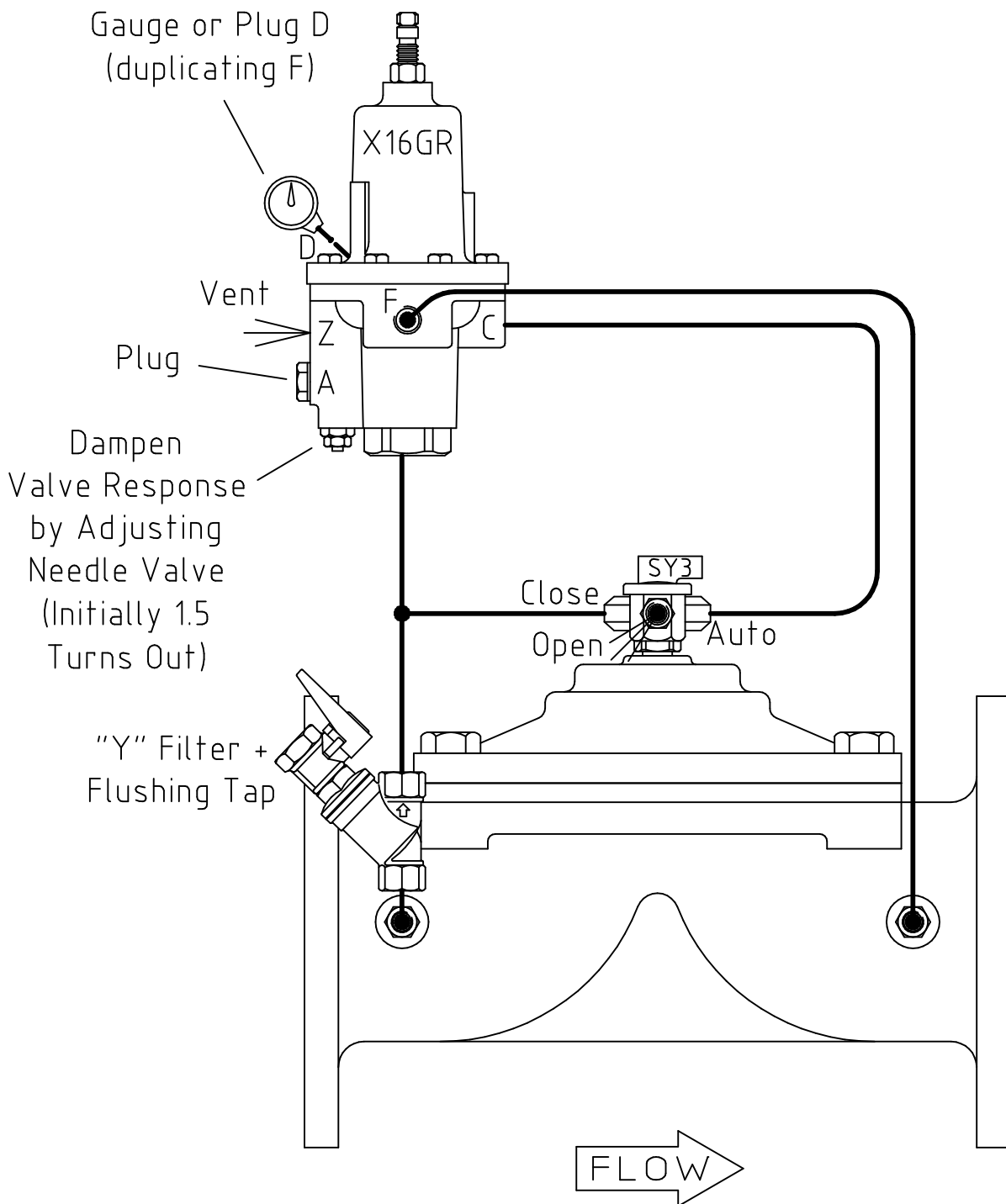
#121

PMB 51 Mannum
South Australia 5238
ph. (08) 8570 4251
fax. (08) 8570 4180

Manual, Pressure Reducing Valve

Tap ~ SY3

Pilot ~ Bermad, Brass, 3 Way, #X-16-G-R

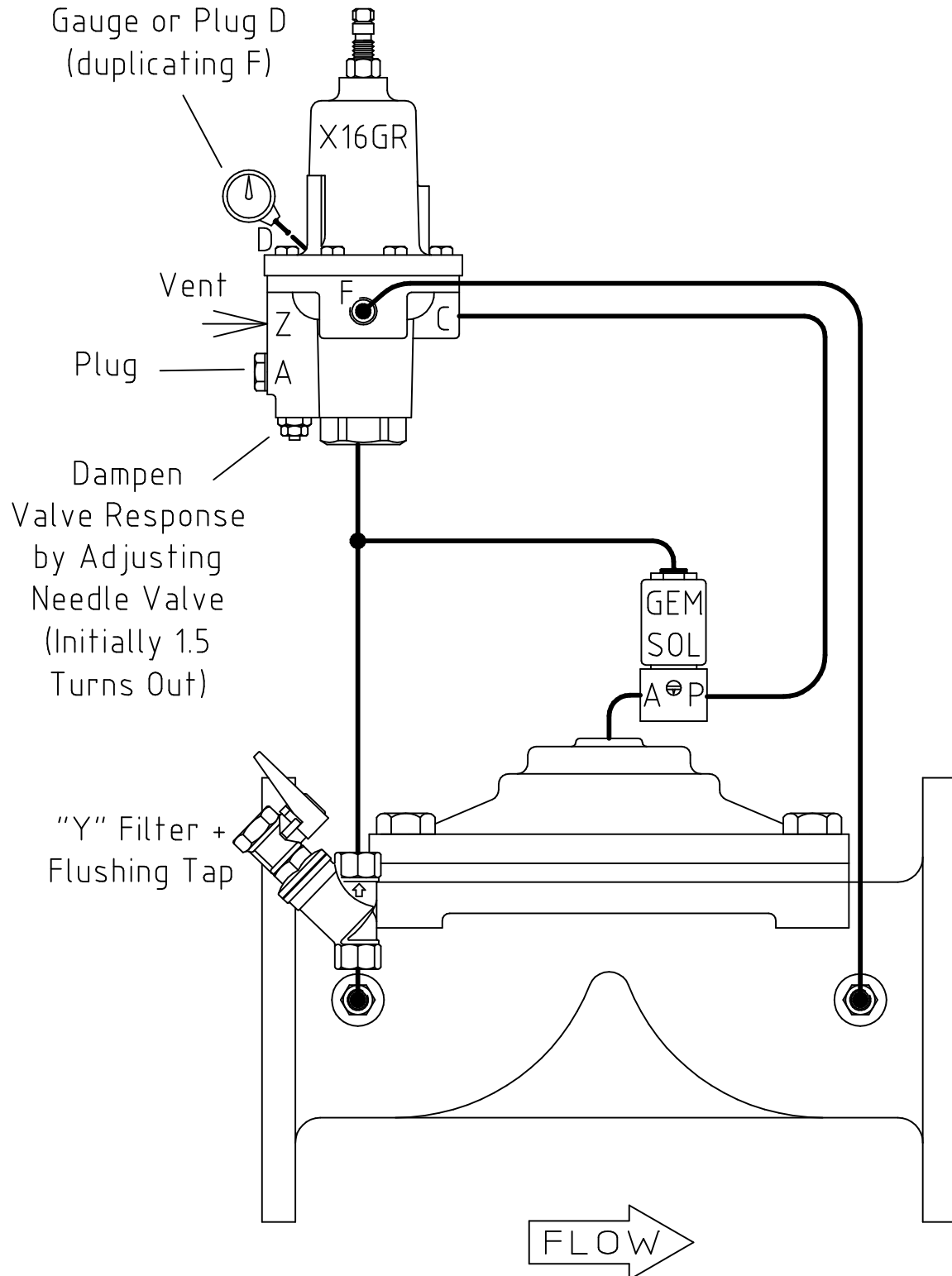




#122

PMB 51 Mannum
South Australia 5238
ph. (08) 8570 4251
fax. (08) 8570 4180

Electric, Pressure Reducing, Normally Closed Valve
Solenoid ~ Baccara, Gem-Sol, 3-N/O Base
Pilot ~ Bermad, Brass, 3 Way, #X-16-G-R

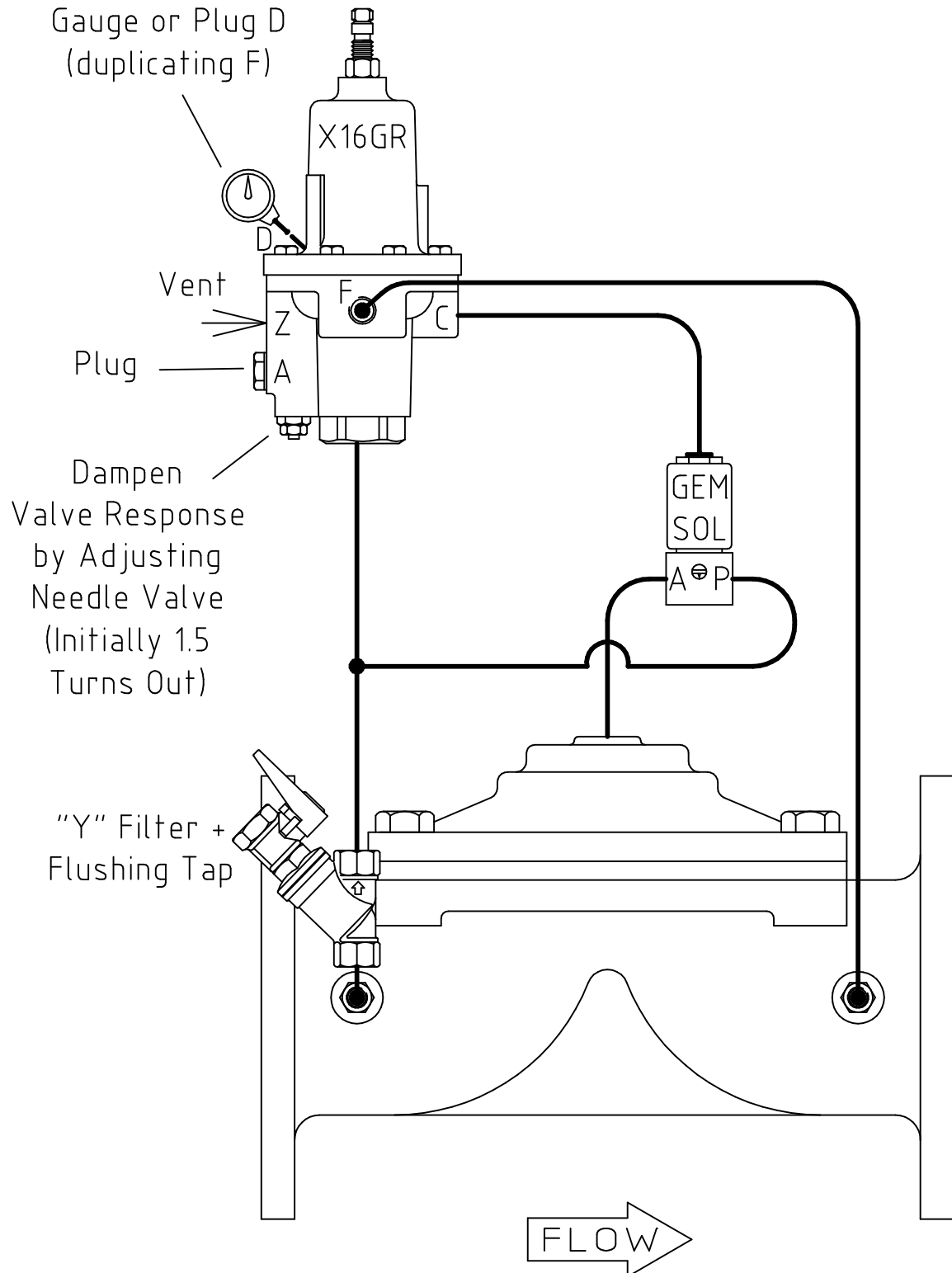




#123

PMB 51 Mannum
South Australia 5238
ph. (08) 8570 4251
fax. (08) 8570 4180

Electric, Pressure Reducing, Normally Open Valve
Solenoid ~ Baccara, Gem-Sol, 3-N/O Base
Pilot ~ Bermad, Brass, 3 Way, #X-16-G-R

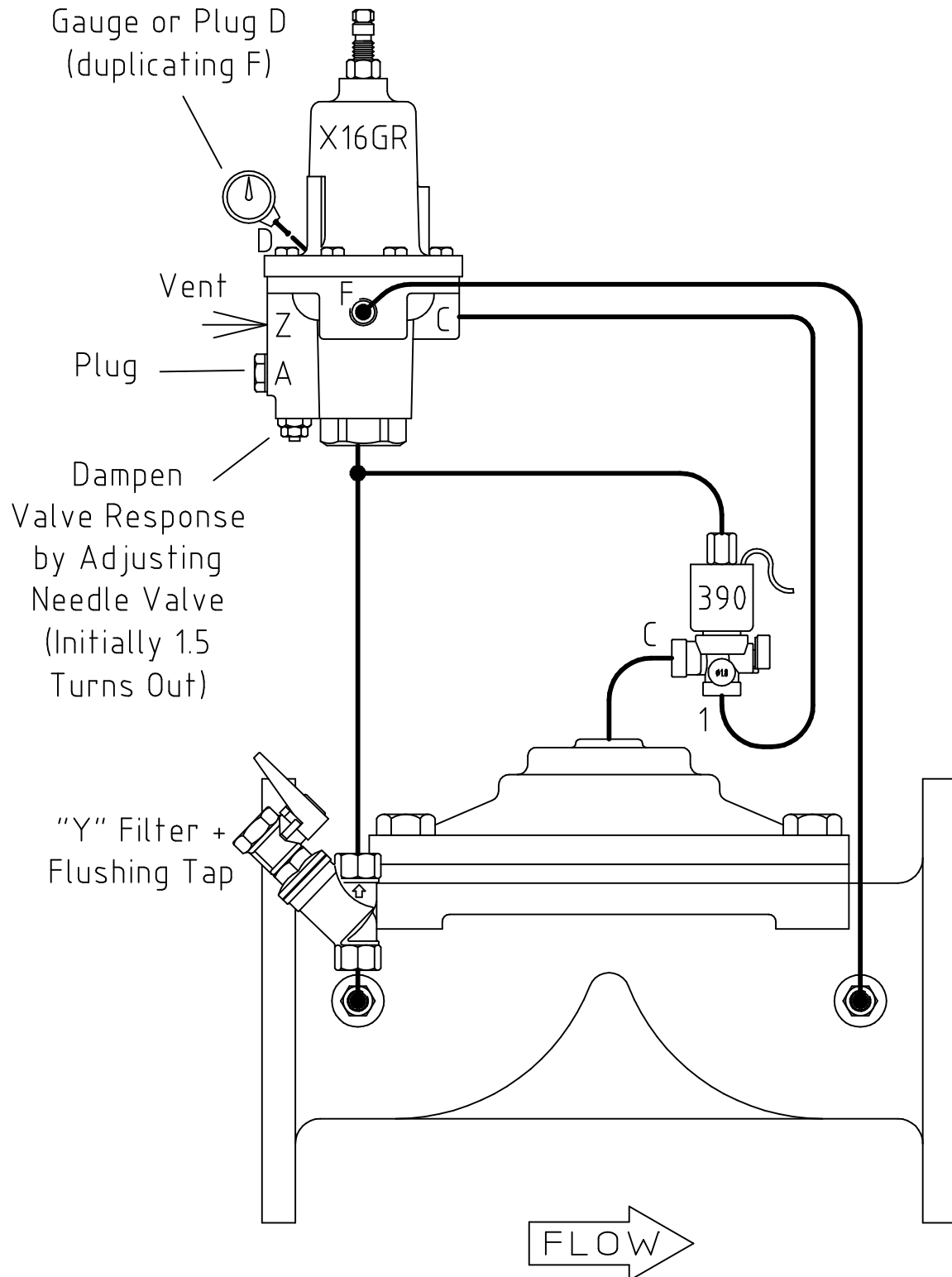




#124

PMB 51 Mannum
South Australia 5238
ph. (08) 8570 4251
fax. (08) 8570 4180

Electric, Pressure Reducing, Normally Closed Valve
Solenoid ~ Bermad, S-390-3-R
Pilot ~ Bermad, Brass, 3 Way, #X-16-G-R

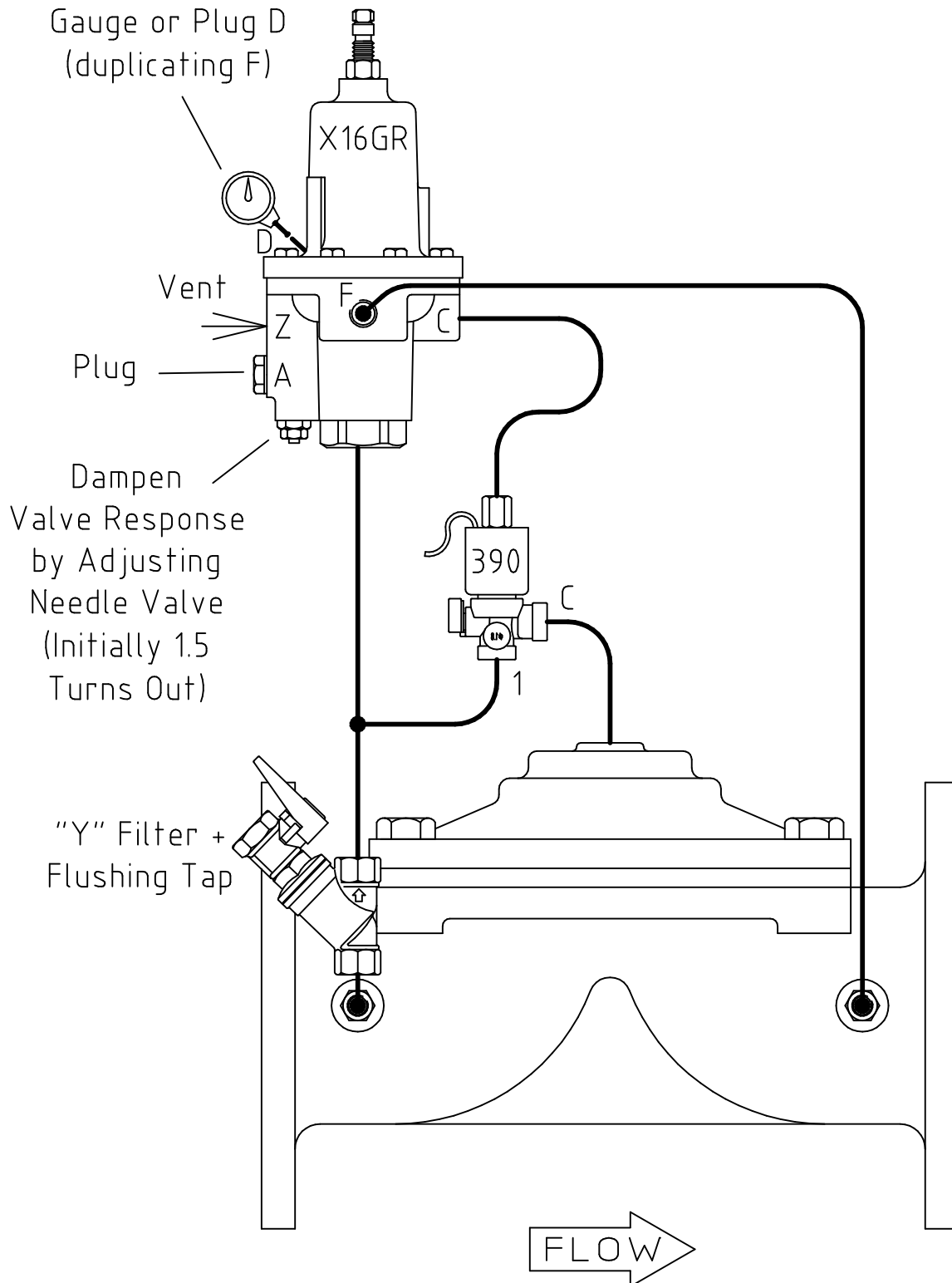




#125

PMB 51 Mannum
South Australia 5238
ph. (08) 8570 4251
fax. (08) 8570 4180

Electric, Pressure Reducing, Normally Open Valve
Solenoid ~ Bermad, S-390-3-R
Pilot ~ Bermad, Brass, 3 Way, #X-16-G-R

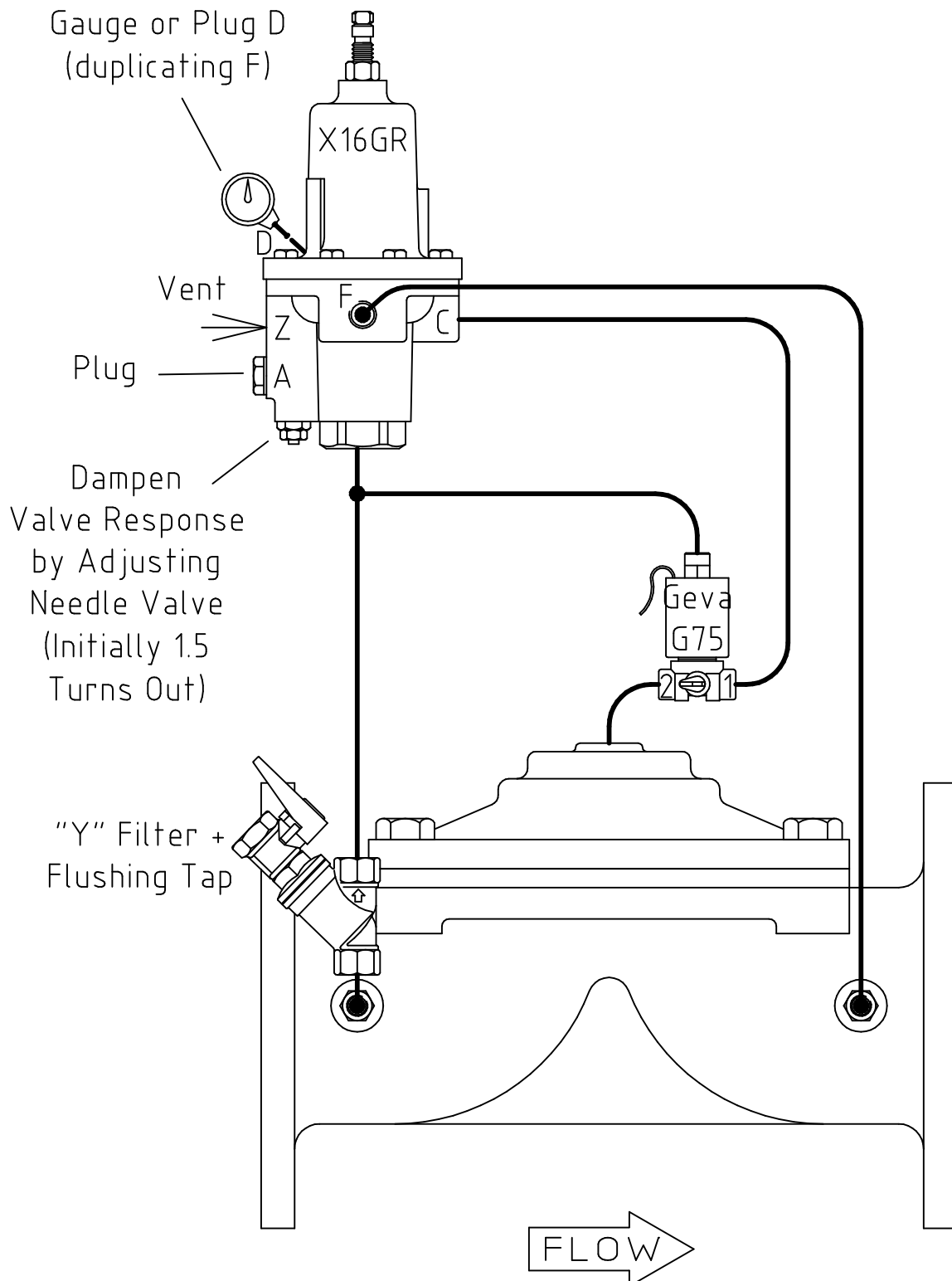




#126

PMB 51 Mannum
South Australia 5238
ph. (08) 8570 4251
fax. (08) 8570 4180

Electric, Pressure Reducing, Normally Closed Valve
Solenoid ~ Baccara, Geva G75, 3WNO 1.6
Pilot ~ Bermad, Brass, 3 Way, #X-16-G-R

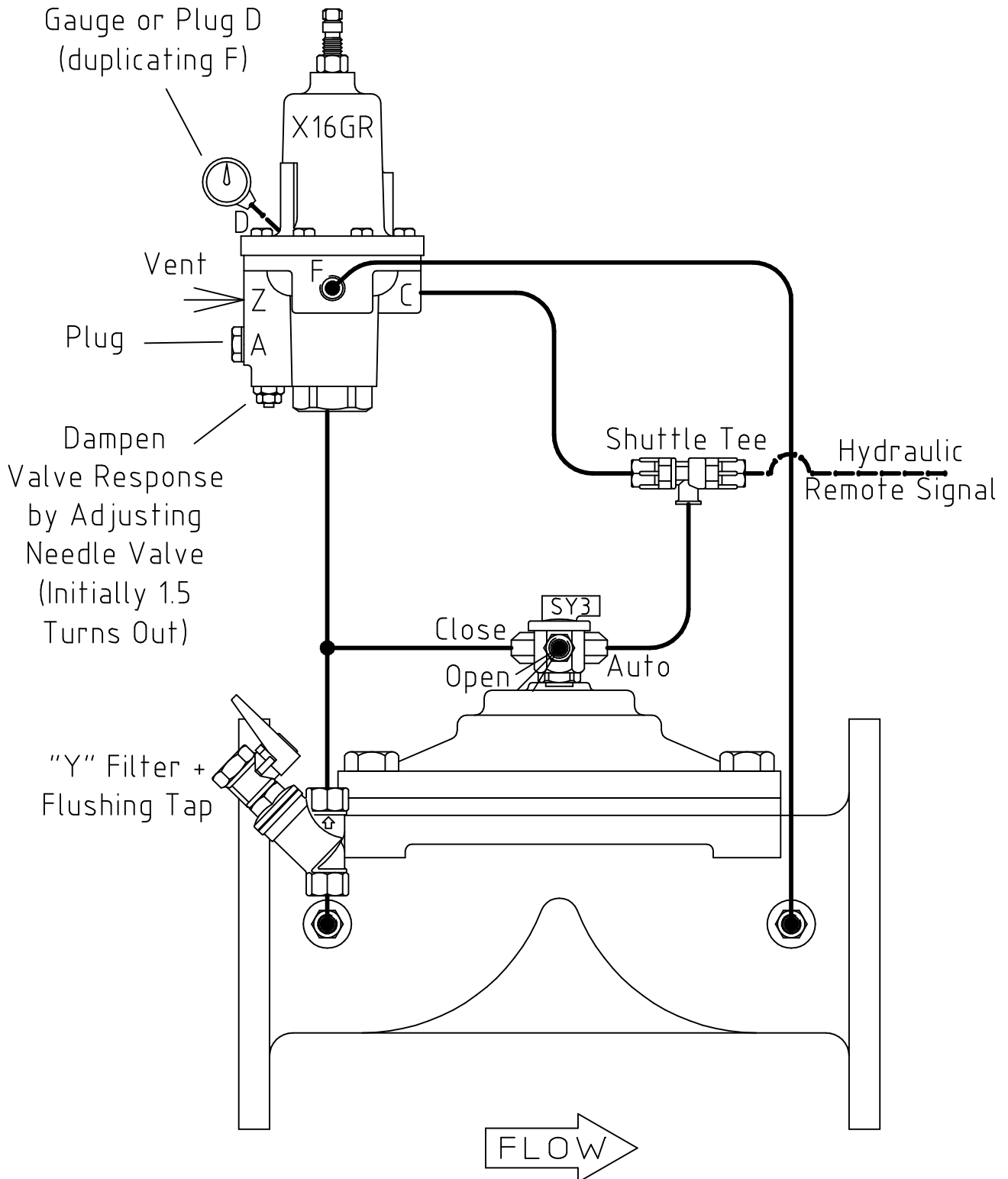




#128

PMB 51 Mannum
South Australia 5238
ph. (08) 8570 4251
fax. (08) 8570 4180

Hydraulic, Pressure Reducing, Normally Open Valve
Relay ~ Shuttle Tee
Pilot ~ Bermad, Brass, 3 Way, #X-16-G-R



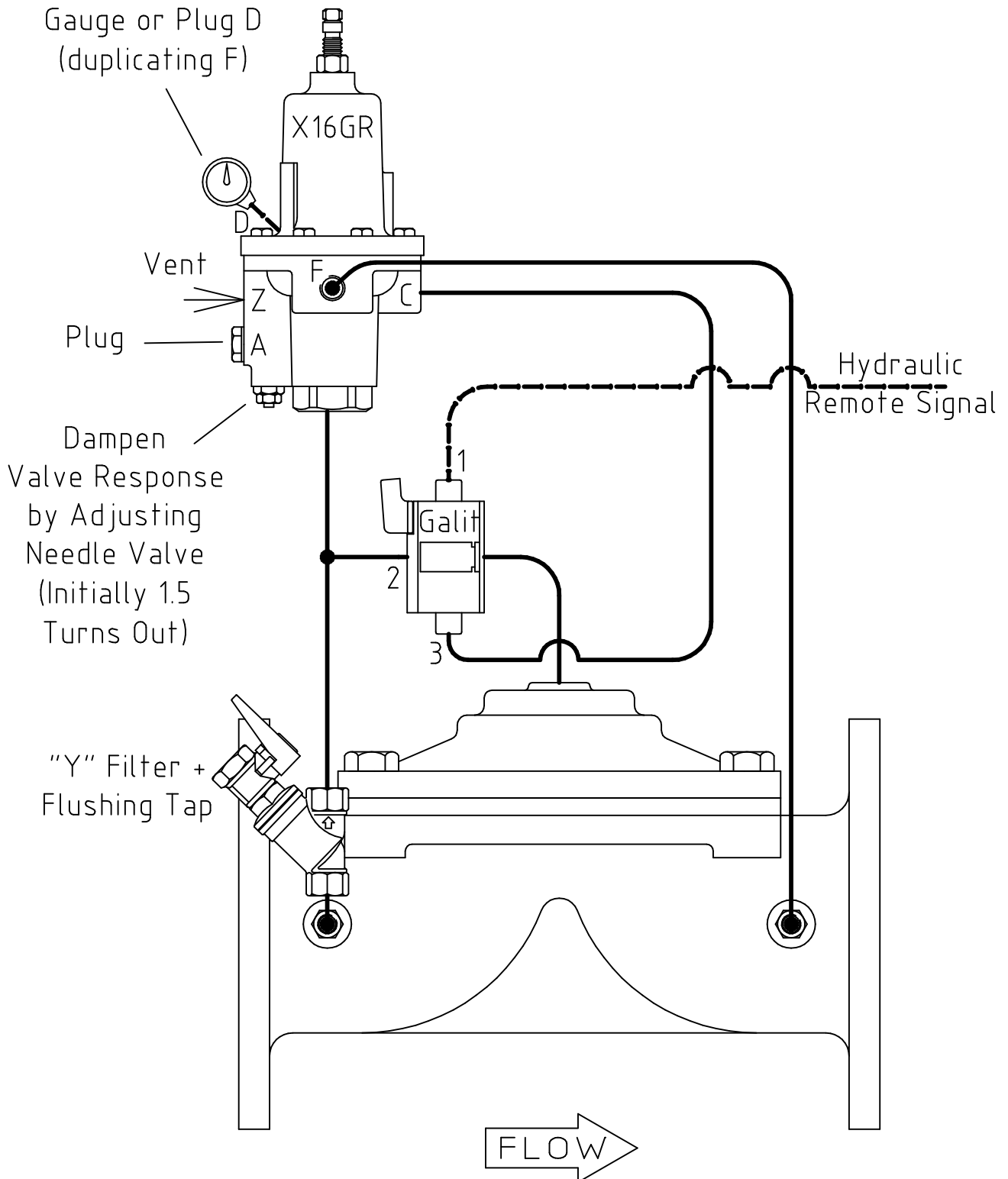


#129

PMB 51 Mannum
South Australia 5238
ph. (08) 8570 4251
fax. (08) 8570 4180

Hydraulic, Pressure Reducing, Normally Closed Valve
Relay ~ Galit

Pilot ~ Bermad, Brass, 3 Way, #X-16-G-R



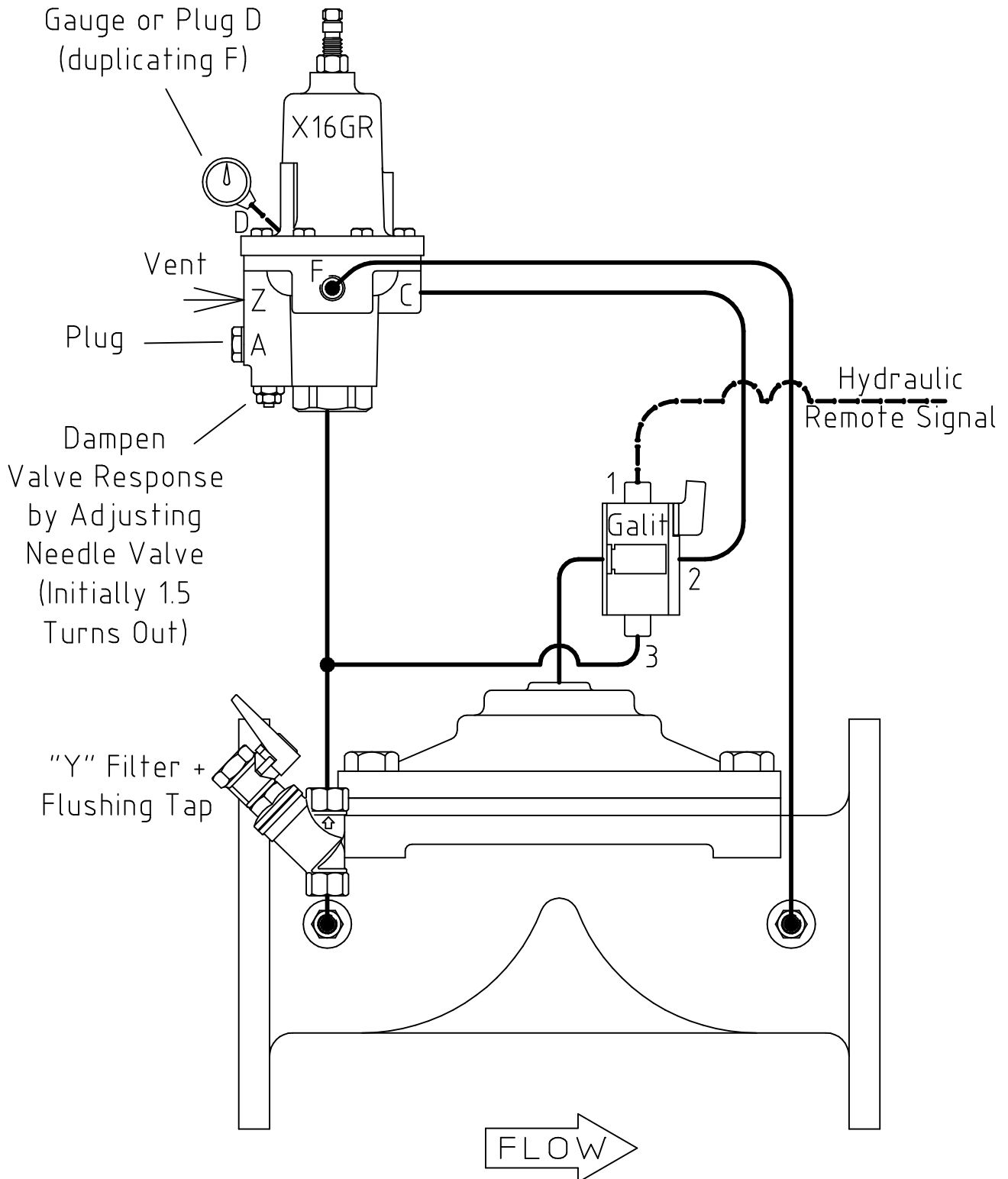


#130

PMB 51 Mannum
South Australia 5238
ph. (08) 8570 4251
fax. (08) 8570 4180

Hydraulic, Pressure Reducing, Normally Open Valve
Relay ~ Galit

Pilot ~ Bermad, Brass, 3 Way, #X-16-G-R





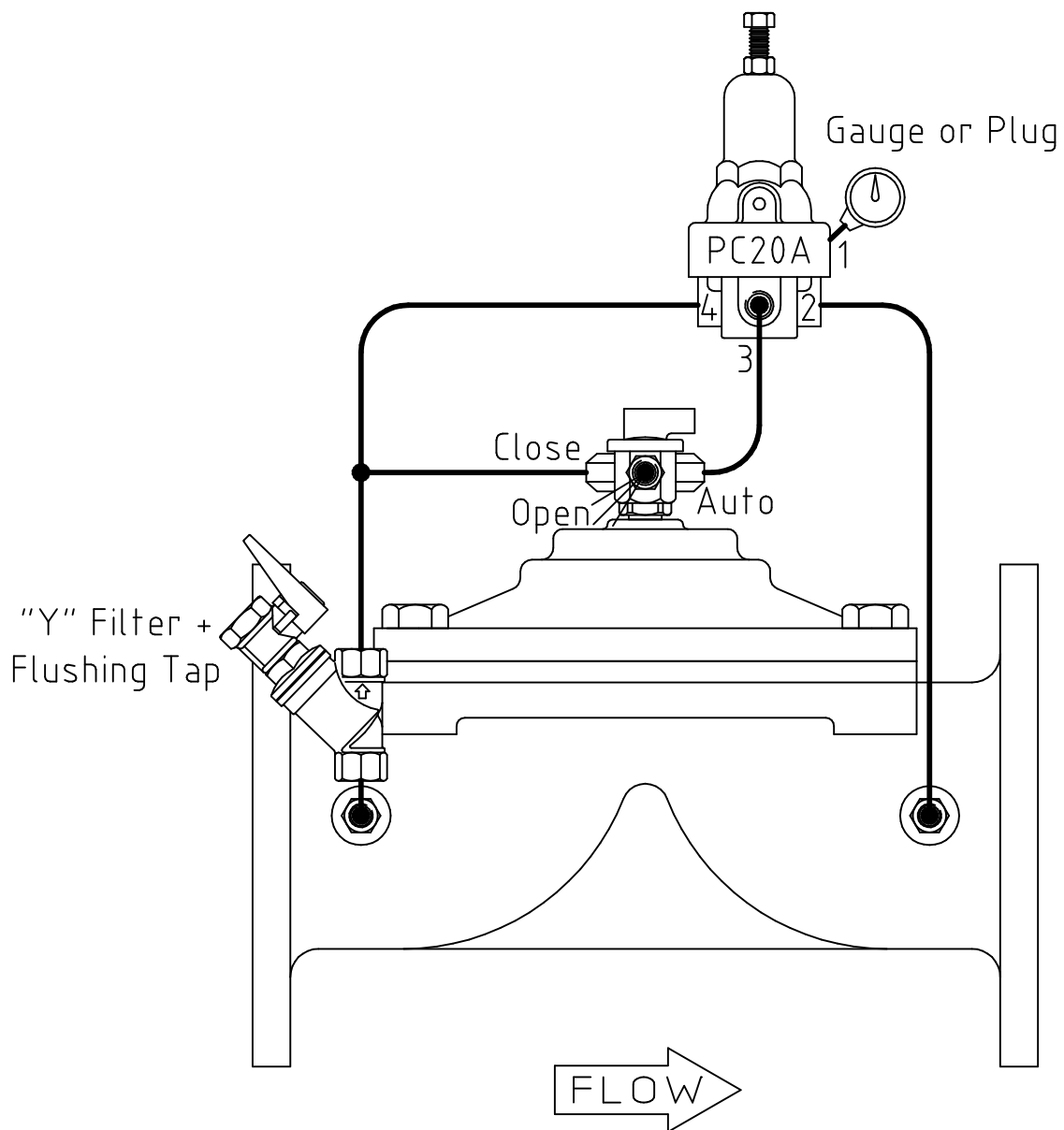
#131

PMB 51 Mannum
South Australia 5238
ph. (08) 8570 4251
fax. (08) 8570 4180

Manual, Pressure Reducing Valve

Tap ~ SY3

Pilot ~ Bermad, Brass, 2 Way, PC-20-A

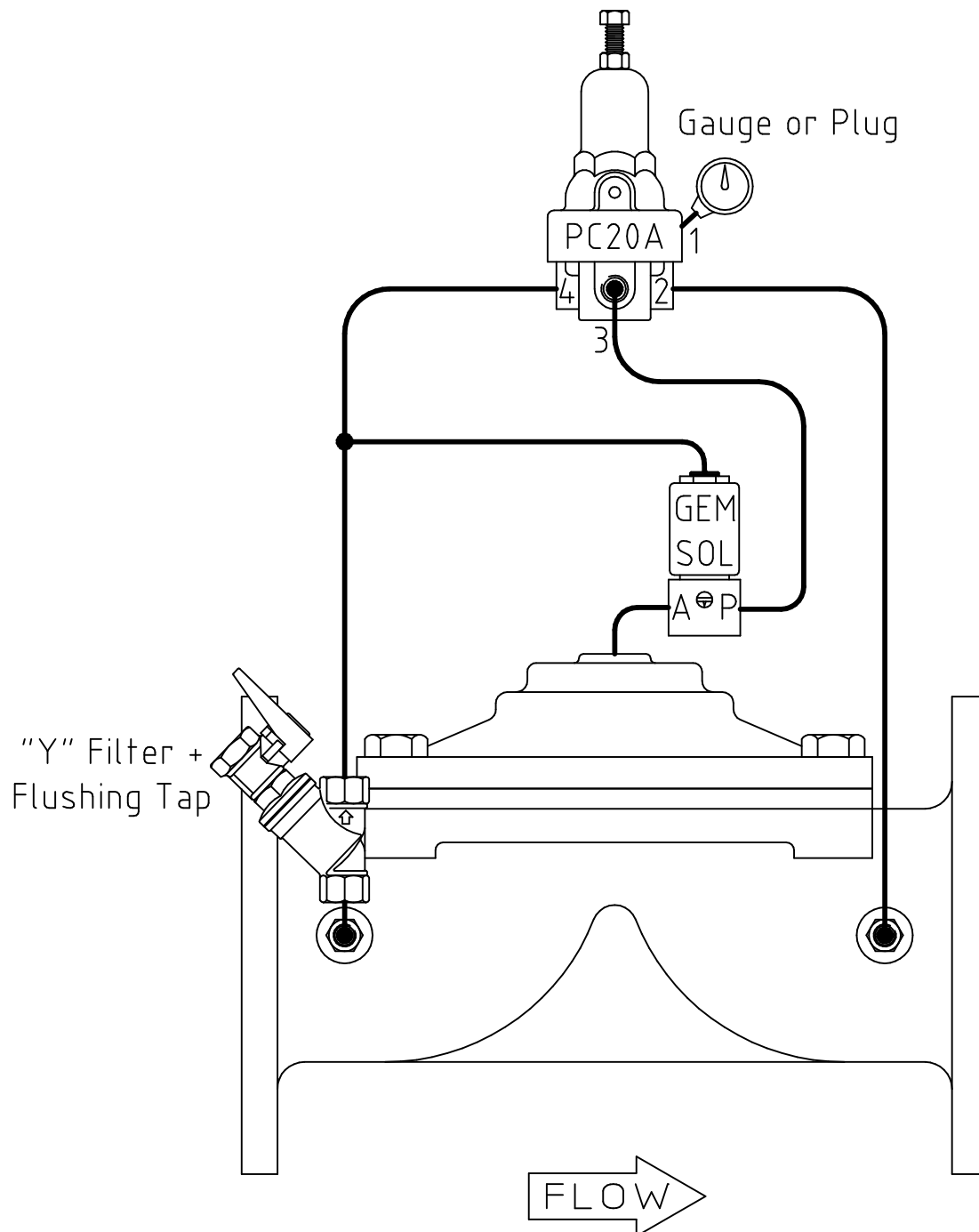




#132

PMB 51 Mannum
South Australia 5238
ph. (08) 8570 4251
fax. (08) 8570 4180

Electric, Pressure Reducing, Normally Closed Valve
Solenoid ~ Baccara, GemSol, 3-N/O Base
Pilot ~ Bermad, Brass, 2 Way, PC-20-A

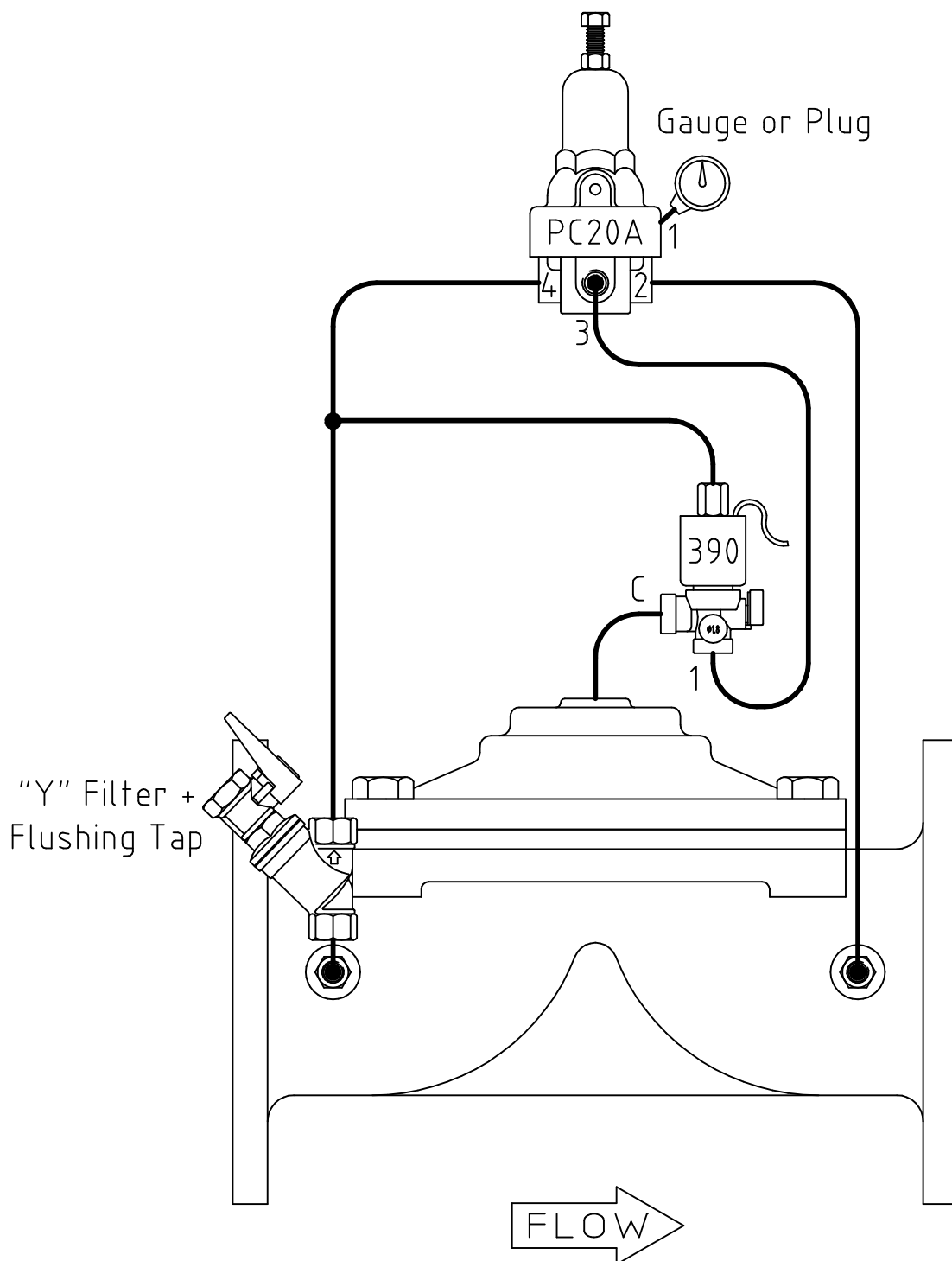




#134

PMB 51 Mannum
South Australia 5238
ph. (08) 8570 4251
fax. (08) 8570 4180

Electric, Pressure Reducing, Normally Closed Valve
Solenoid ~ Bermad, S-390-3-R
Pilot ~ Bermad, Brass, 2 Way, PC-20-A

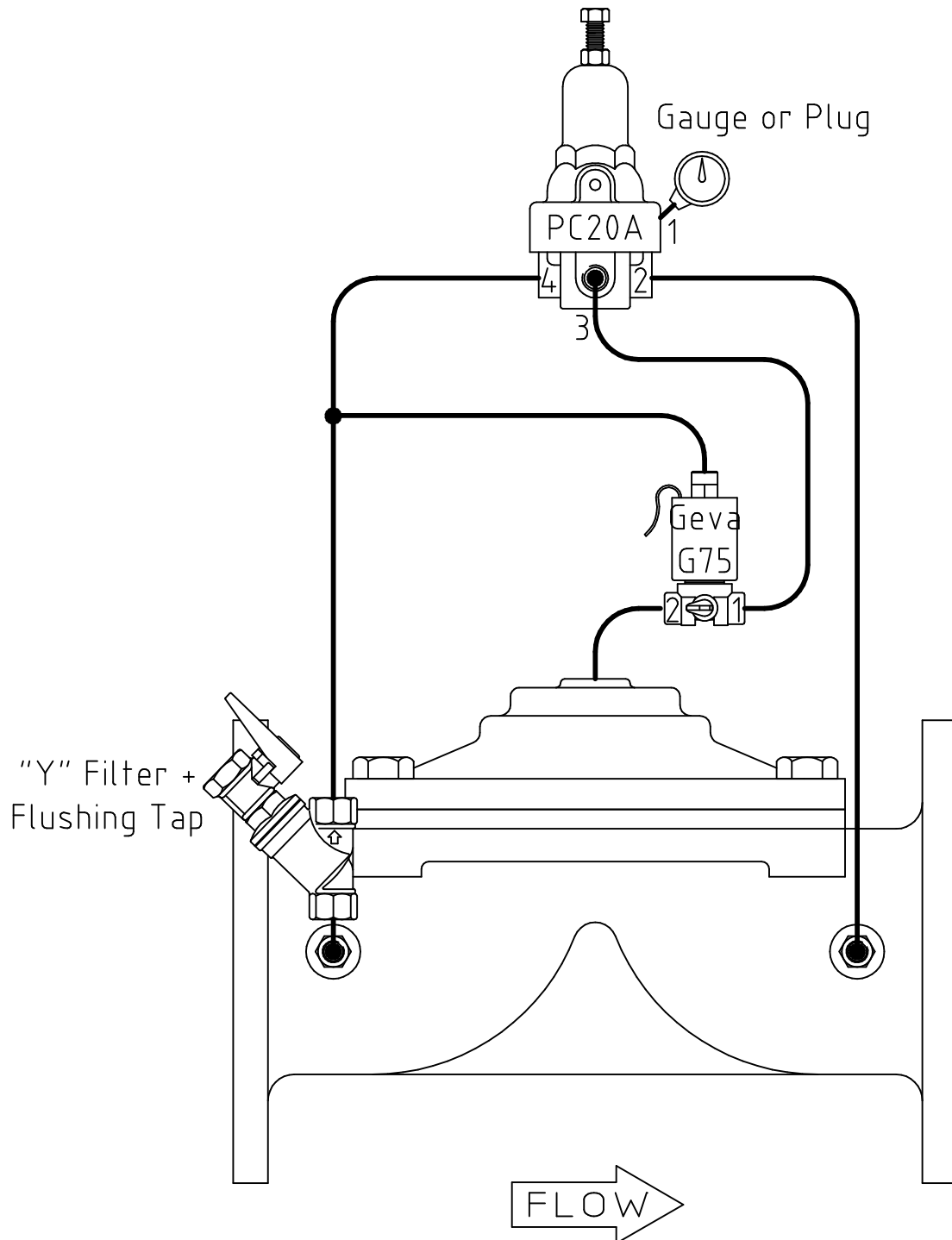




#136

PMB 51 Mannum
South Australia 5238
ph. (08) 8570 4251
fax. (08) 8570 4180

Electric, Pressure Reducing, Normally Closed Valve
Solenoid ~ Baccara, Geva G75, 3WNO 1.6
Pilot ~ Bermad, Brass, 2 Way, PC-20-A

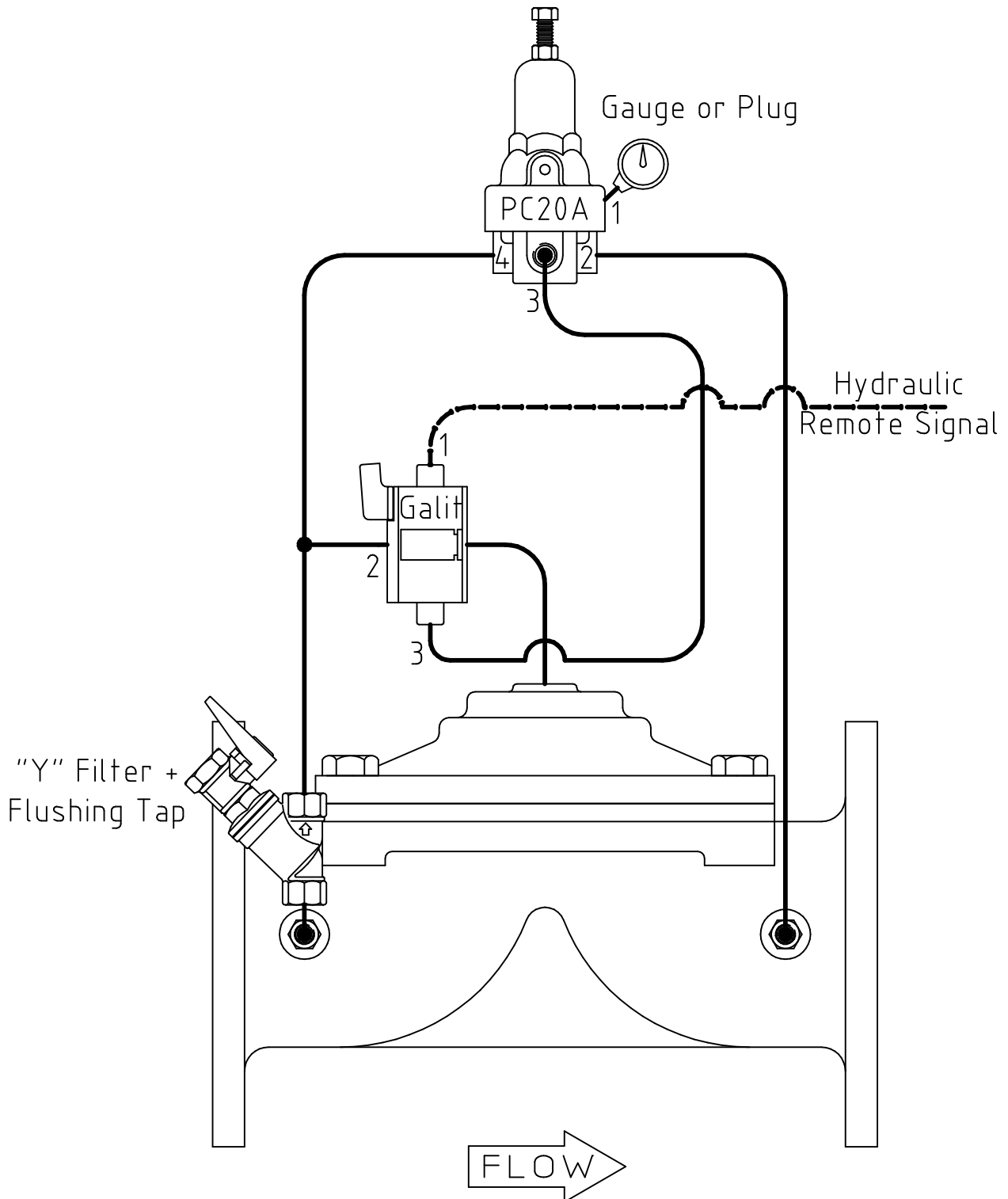




#139

PMB 51 Mannum
South Australia 5238
ph. (08) 8570 4251
fax. (08) 8570 4180

Hydraulic, Pressure Reducing, Normally Closed Valve
Relay ~ Galit
Pilot ~ Bermad, Brass, 2 Way, PC-20-A





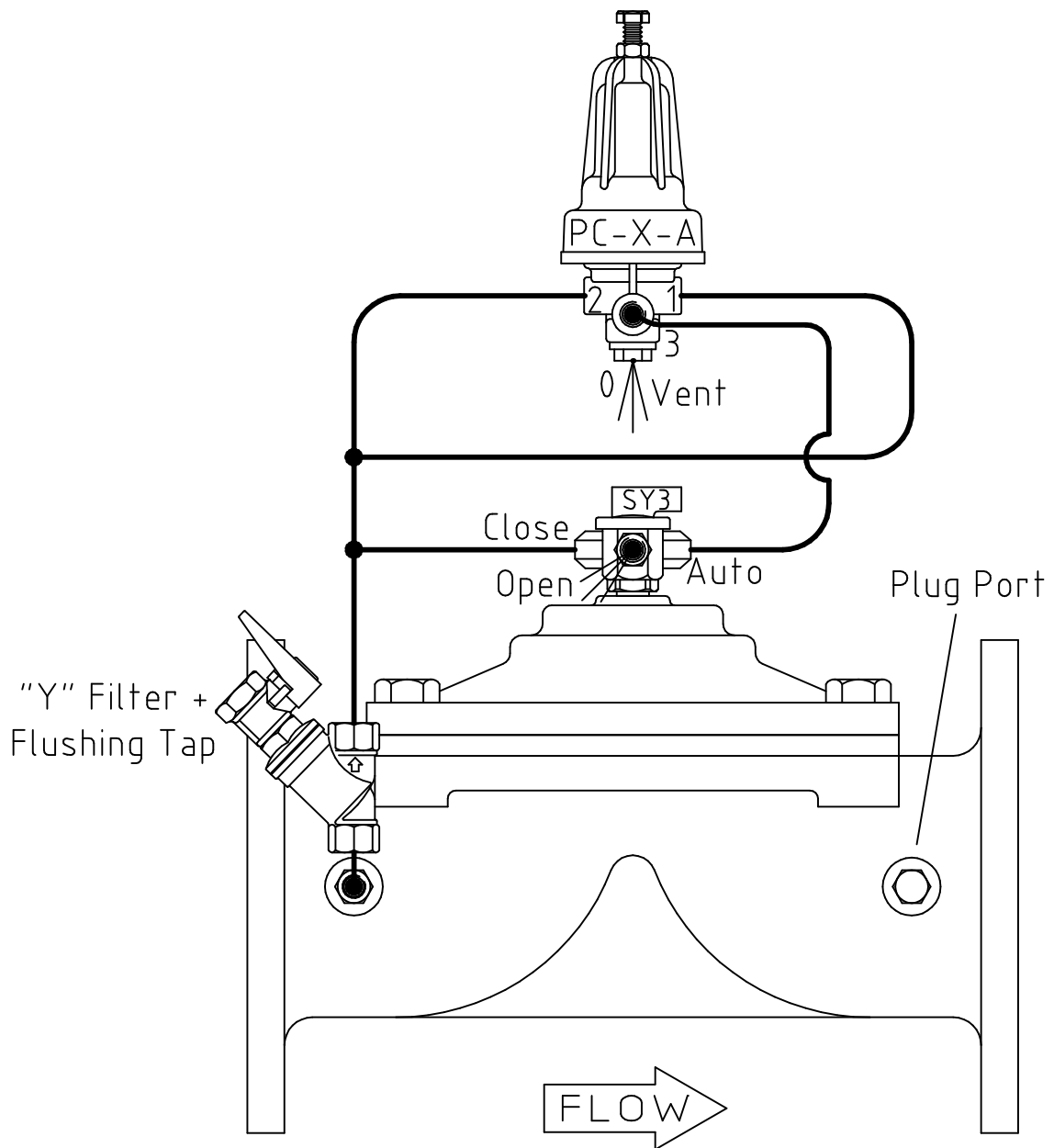
#141

PMB 51 Mannum
South Australia 5238
ph. (08) 8570 4251
fax. (08) 8570 4180

Manual, Pressure Sustaining Valve

Tap ~ SY3

Pilot ~ Bermad, Plastic, 3 Way, PC-X-A

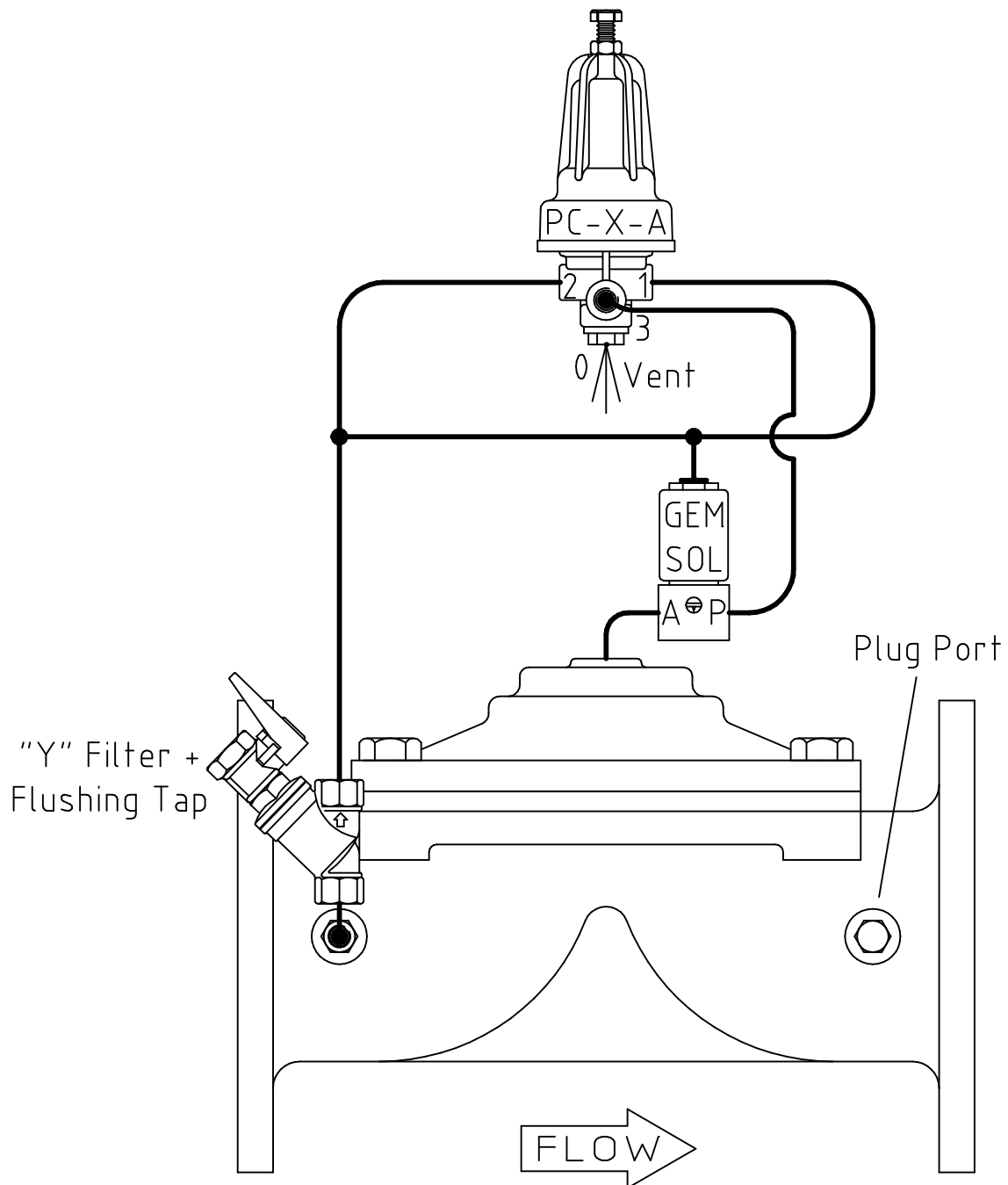




#142

PMB 51 Mannum
South Australia 5238
ph. (08) 8570 4251
fax. (08) 8570 4180

Electric, Pressure Sustaining, Normally Closed Valve
Solenoid ~ Baccara, Gem-Sol, 3-N/O Base
Pilot ~ Bermad, Plastic, 3 Way, PC-X-A

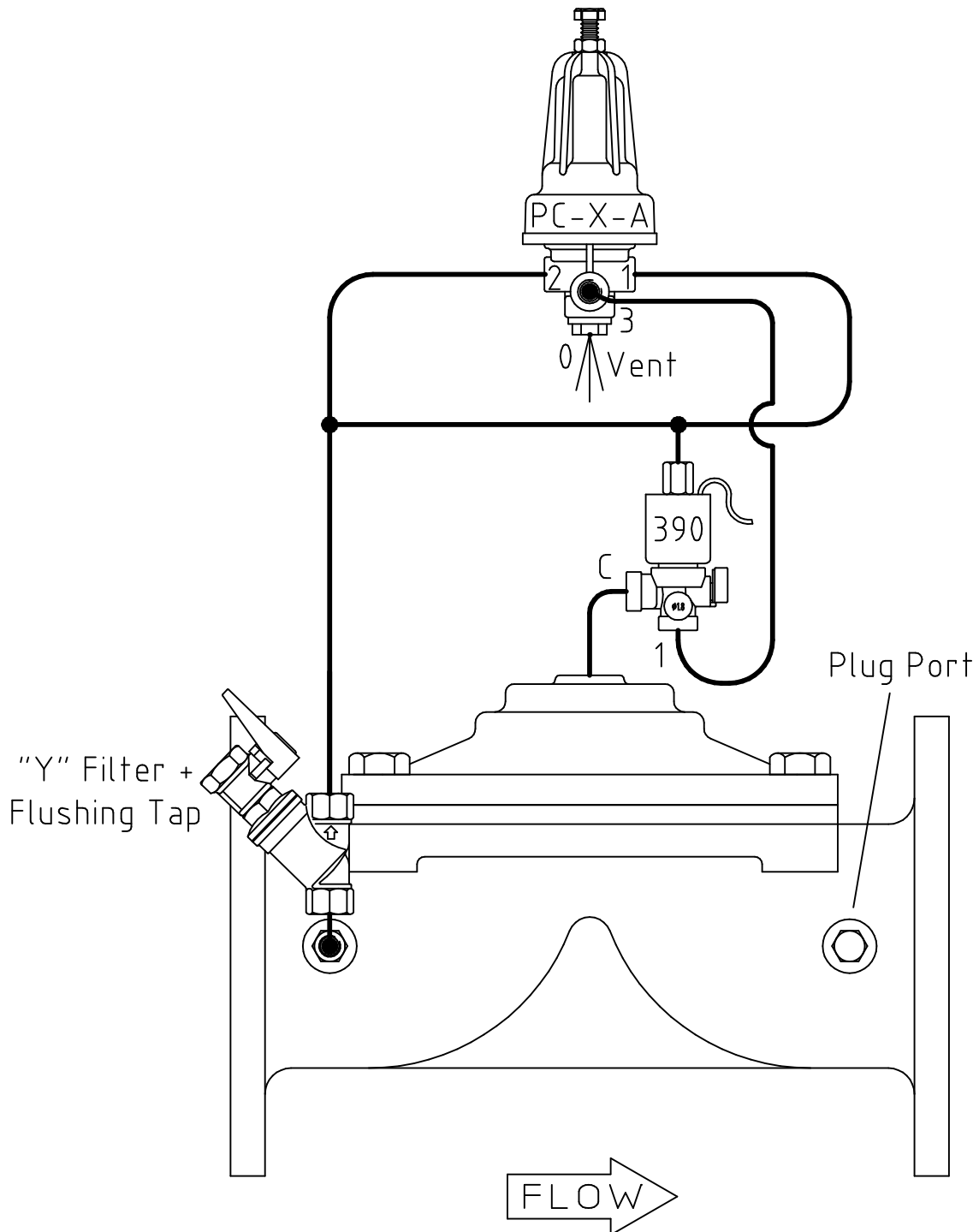




#144

PMB 51 Mannum
South Australia 5238
ph. (08) 8570 4251
fax. (08) 8570 4180

Electric, Pressure Sustaining, Normally Closed Valve
Solenoid ~ Bermad, S-390-3-R
Pilot ~ Bermad, Plastic, 3 Way, PC-X-A

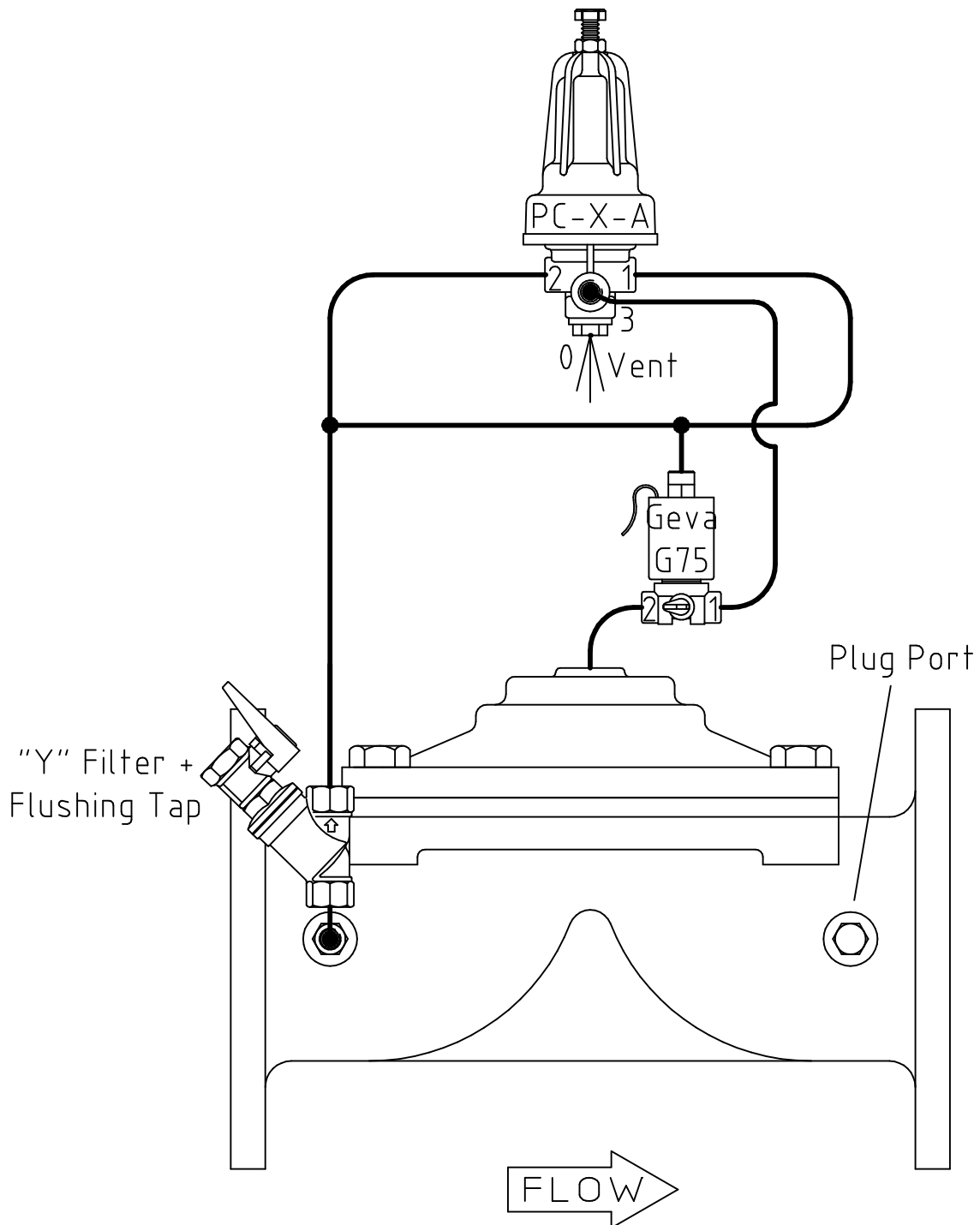




#146

PMB 51 Mannum
South Australia 5238
ph. (08) 8570 4251
fax. (08) 8570 4180

Electric, Pressure Sustaining, Normally Closed Valve
Solenoid ~ Baccara, Geva G75, 3WNO 1.6
Pilot ~ Bermad, Plastic, 3 Way, PC-X-A

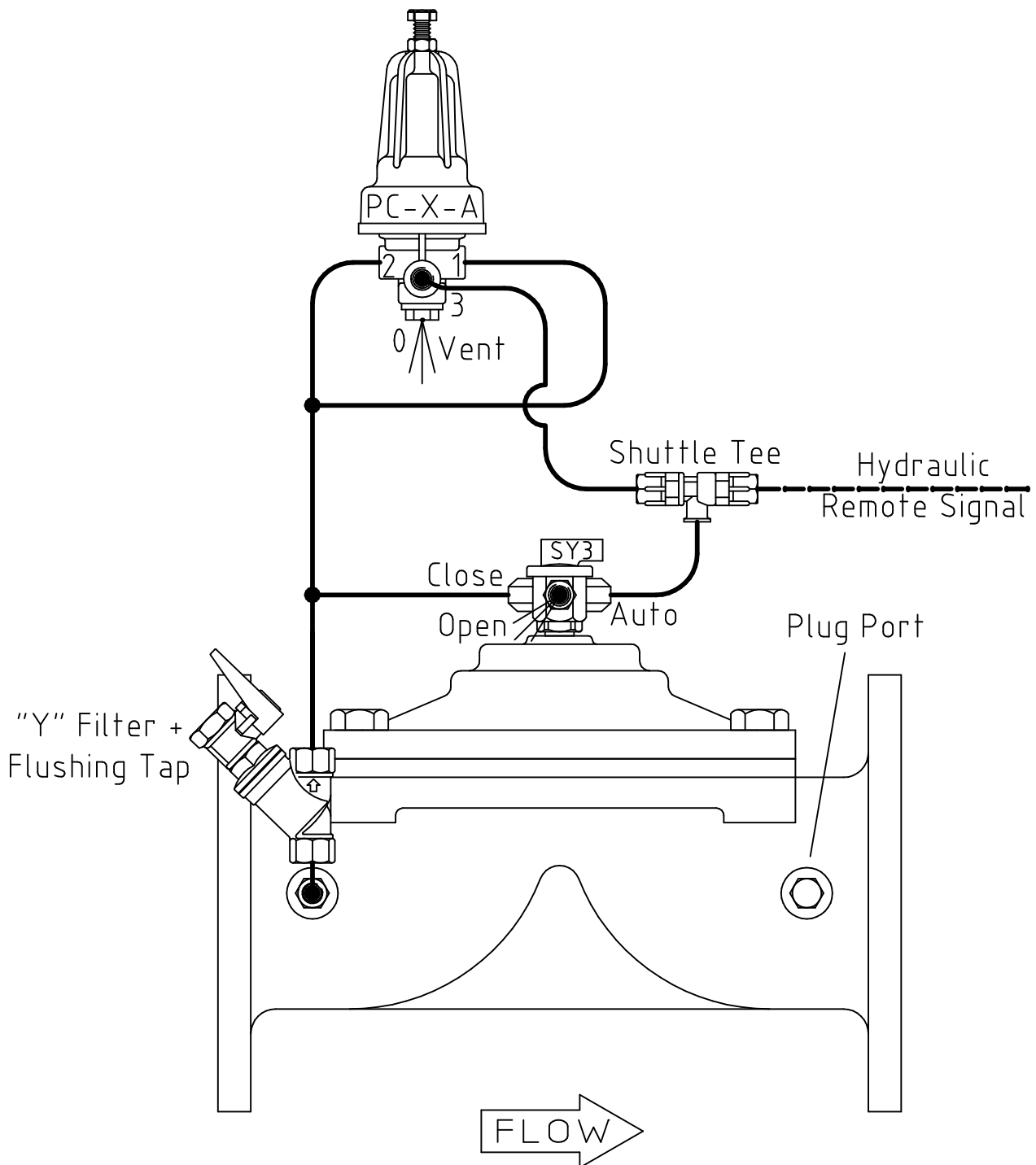




#148

PMB 51 Mannum
South Australia 5238
ph. (08) 8570 4251
fax. (08) 8570 4180

Hydraulic, Pressure Sustaining, Normally Open Valve
Relay ~ Shuttle Tee
Pilot ~ Bermad, Plastic, 3 Way, PC-X-A

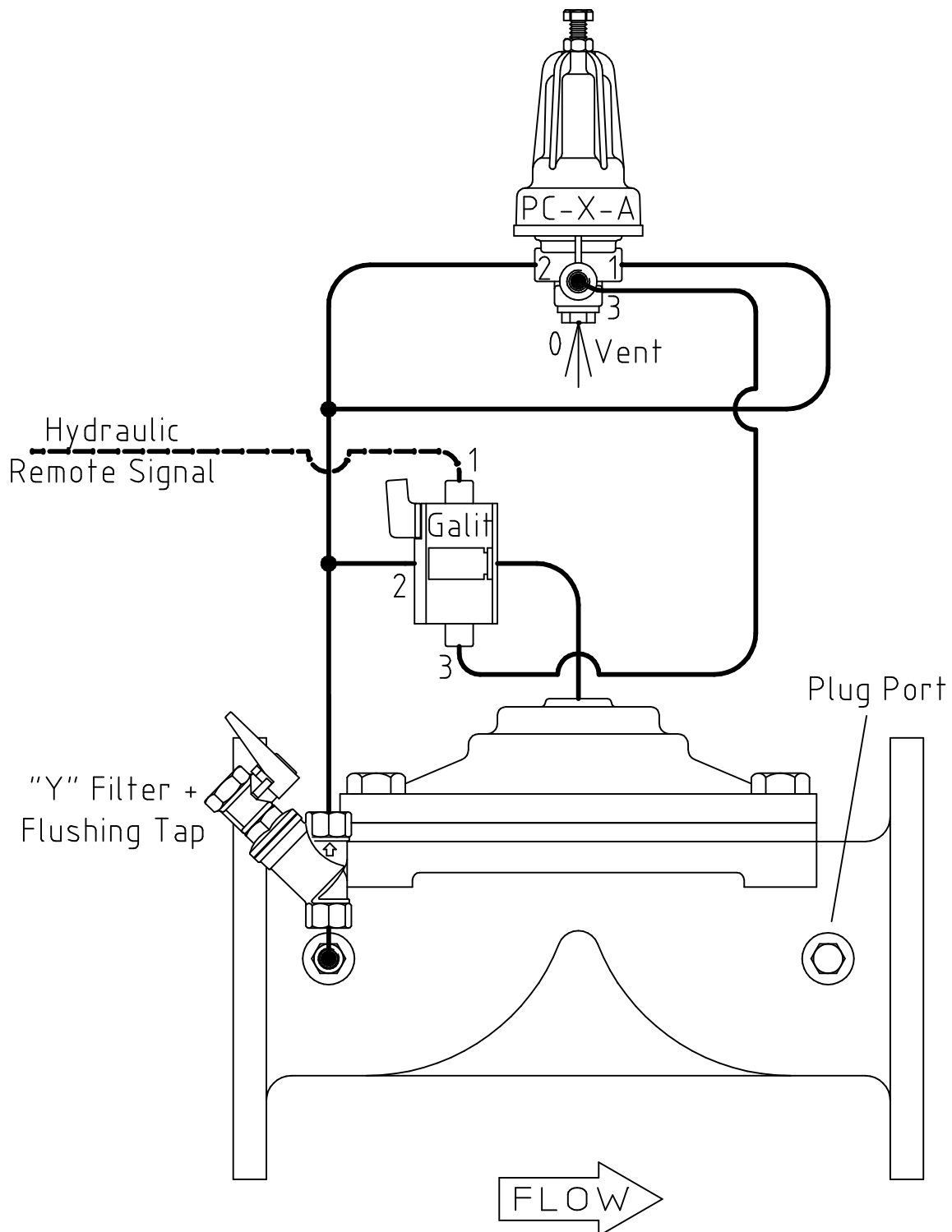




#149

PMB 51 Mannum
South Australia 5238
ph. (08) 8570 4251
fax. (08) 8570 4180

Hydraulic, Pressure Sustaining, Normally Closed Valve
Relay ~ Galit
Pilot ~ Bermad, Plastic, 3 Way, PC-X-A

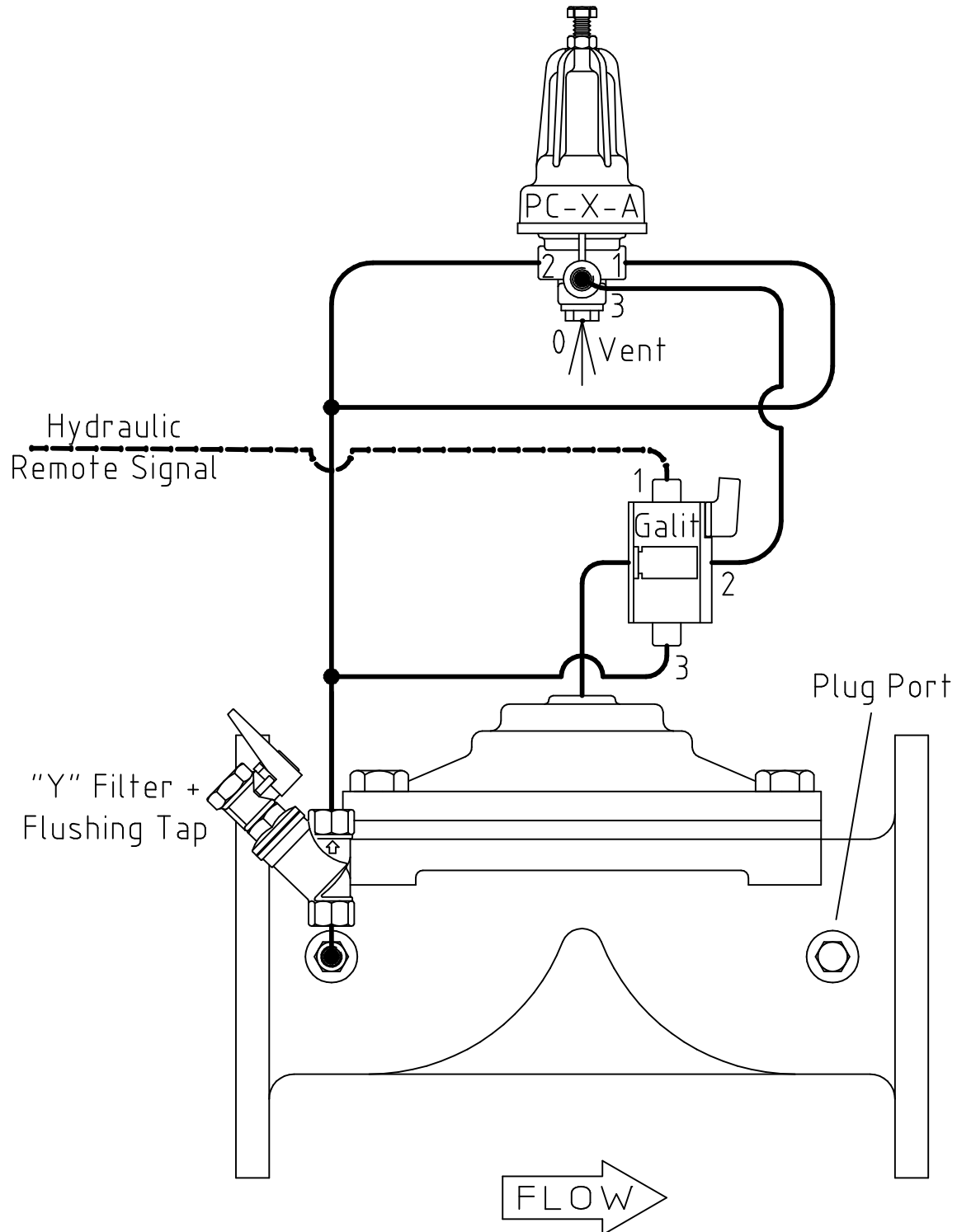




#150

PMB 51 Mannum
South Australia 5238
ph. (08) 8570 4251
fax. (08) 8570 4180

Hydraulic, Pressure Sustaining, Normally Open Valve
Relay ~ Galit
Pilot ~ Bermad, Plastic, 3 Way, PC-X-A





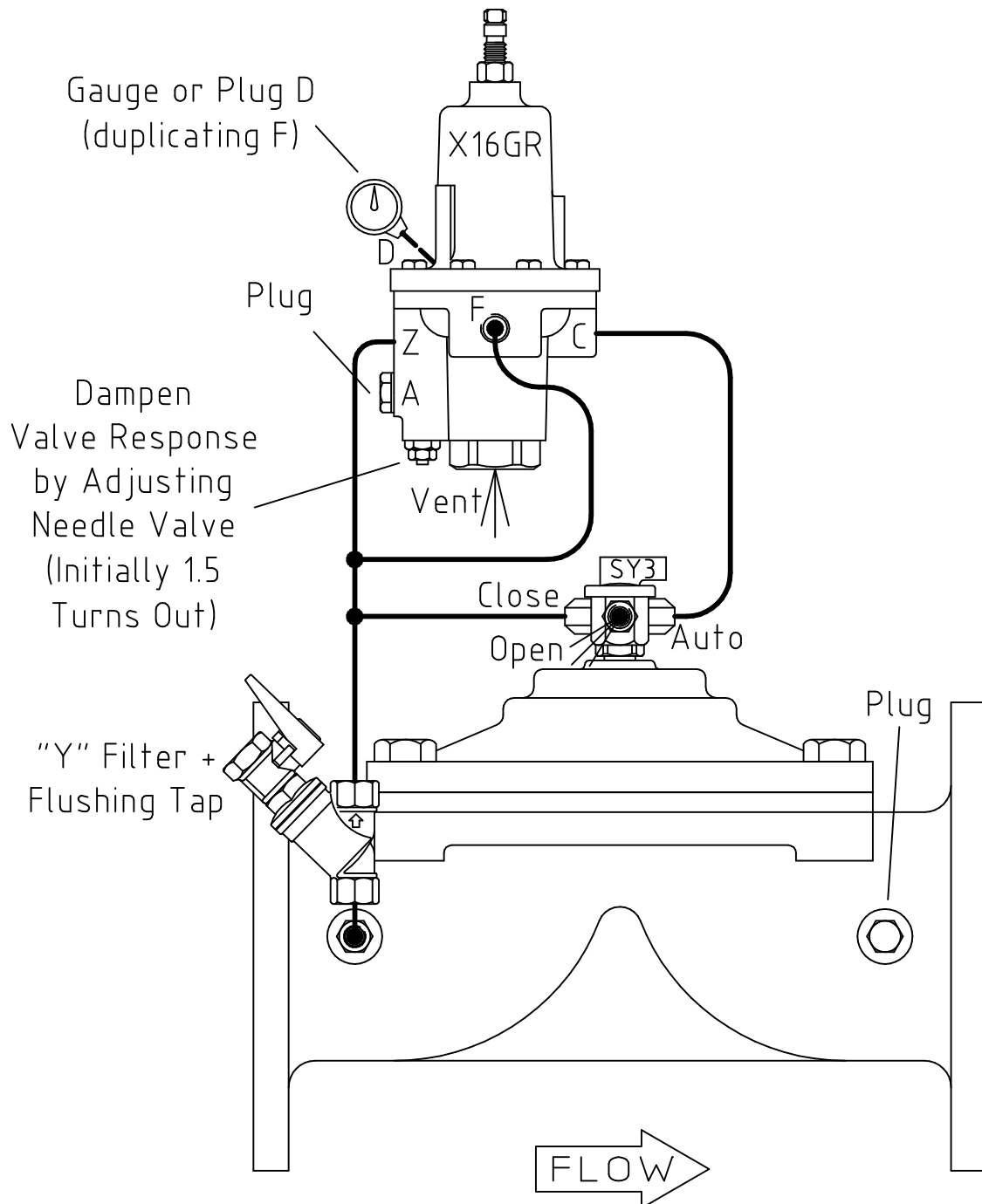
#151

PMB 51 Mannum
South Australia 5238
ph. (08) 8570 4251
fax. (08) 8570 4180

Manual, Pressure Sustaining Valve

Tap ~ SY3

Pilot ~ Bermad, Brass, 3 Way, #X-16-G-R

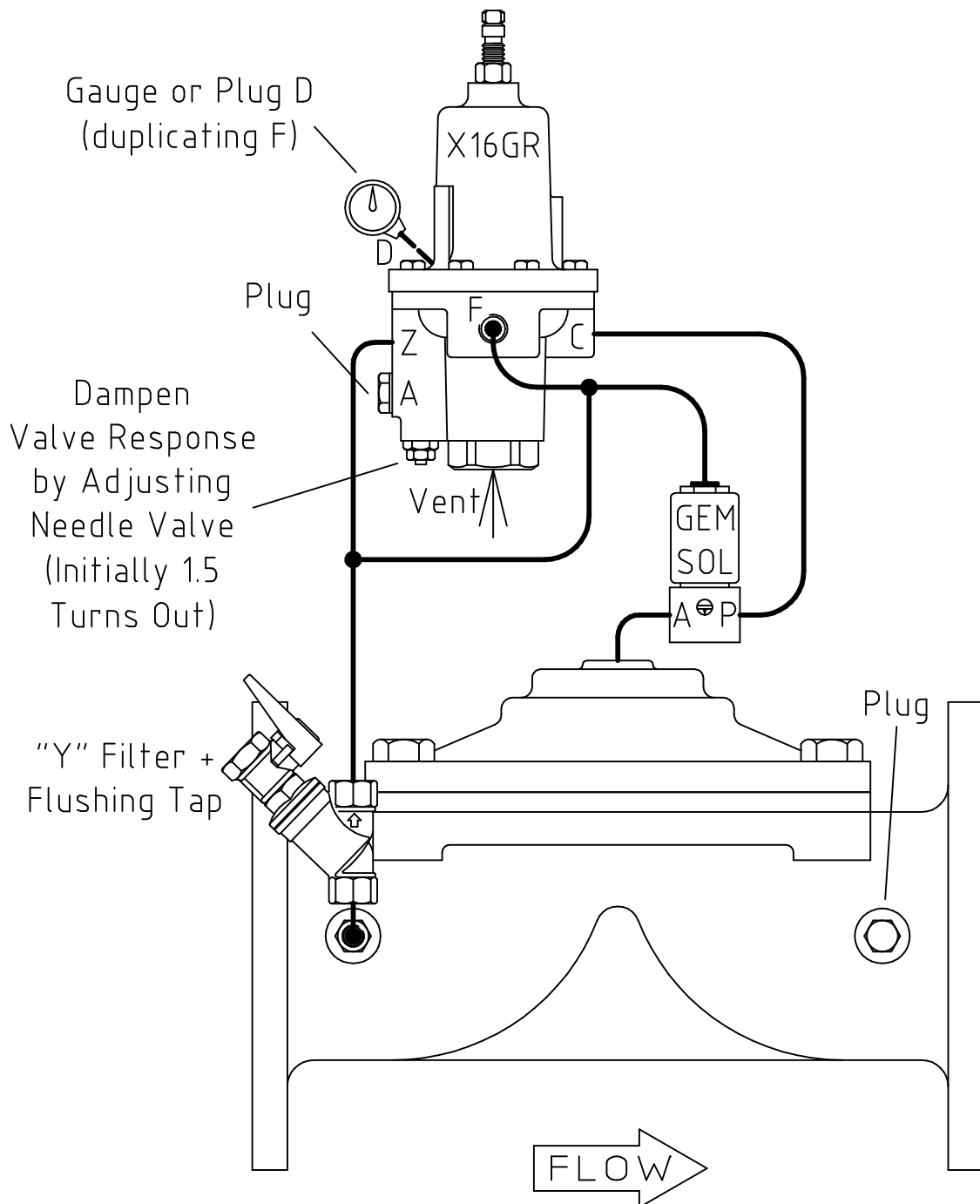




#152

PMB 51 Mannum
South Australia 5238
ph. (08) 8570 4251
fax. (08) 8570 4180

Electric, Pressure Sustaining, Normally Closed Valve
Solenoid ~ Baccara, Gem-Sol, 3-N/O Base
Pilot ~ Bermad, Brass, 3 Way, #X-16-G-R

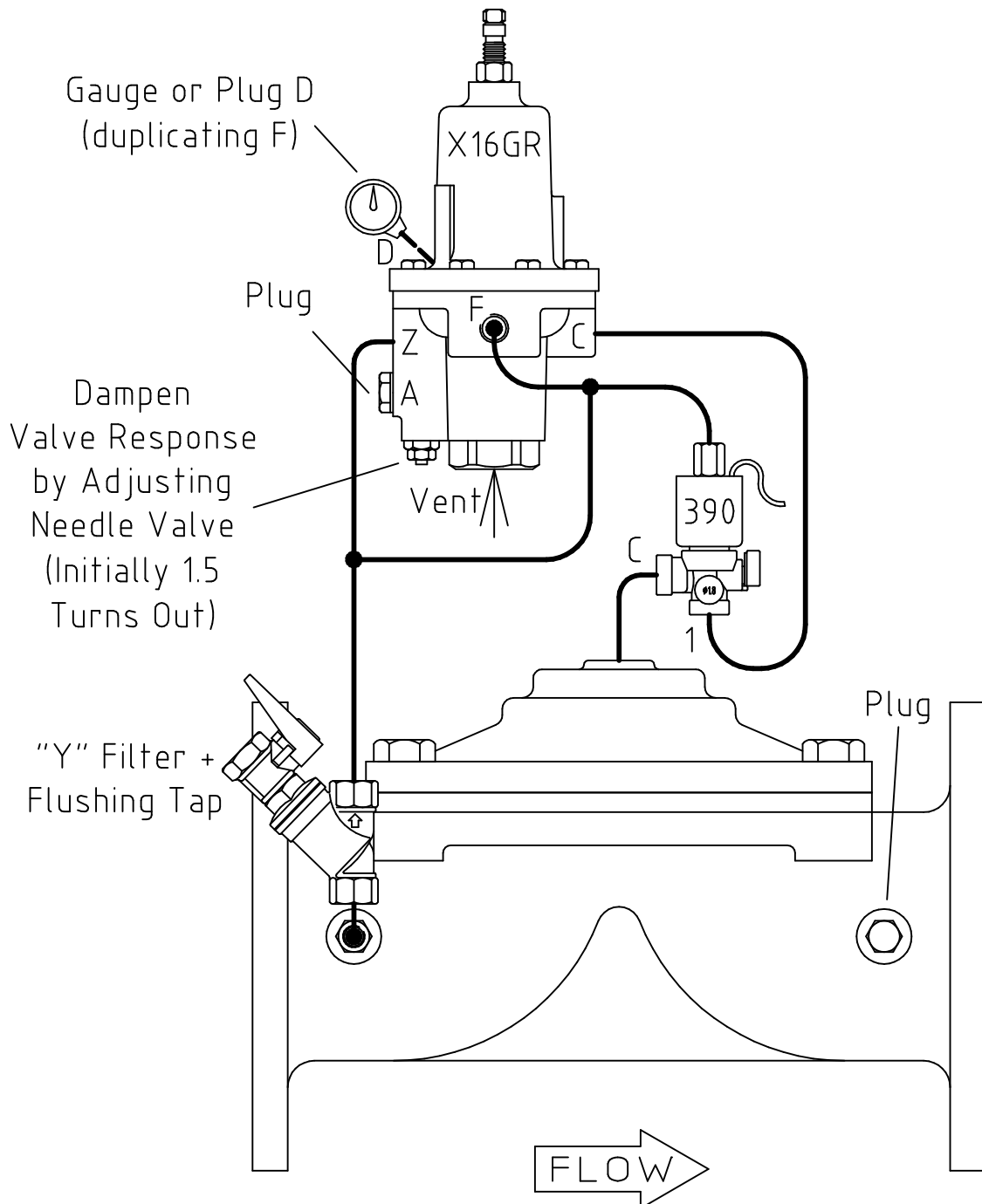




#154

PMB 51 Mannum
South Australia 5238
ph. (08) 8570 4251
fax. (08) 8570 4180

Electric, Pressure Sustaining, Normally Closed Valve
Solenoid ~ Bermad, S-390-3-R
Pilot ~ Bermad, Brass, 3 Way, #X-16-G-R

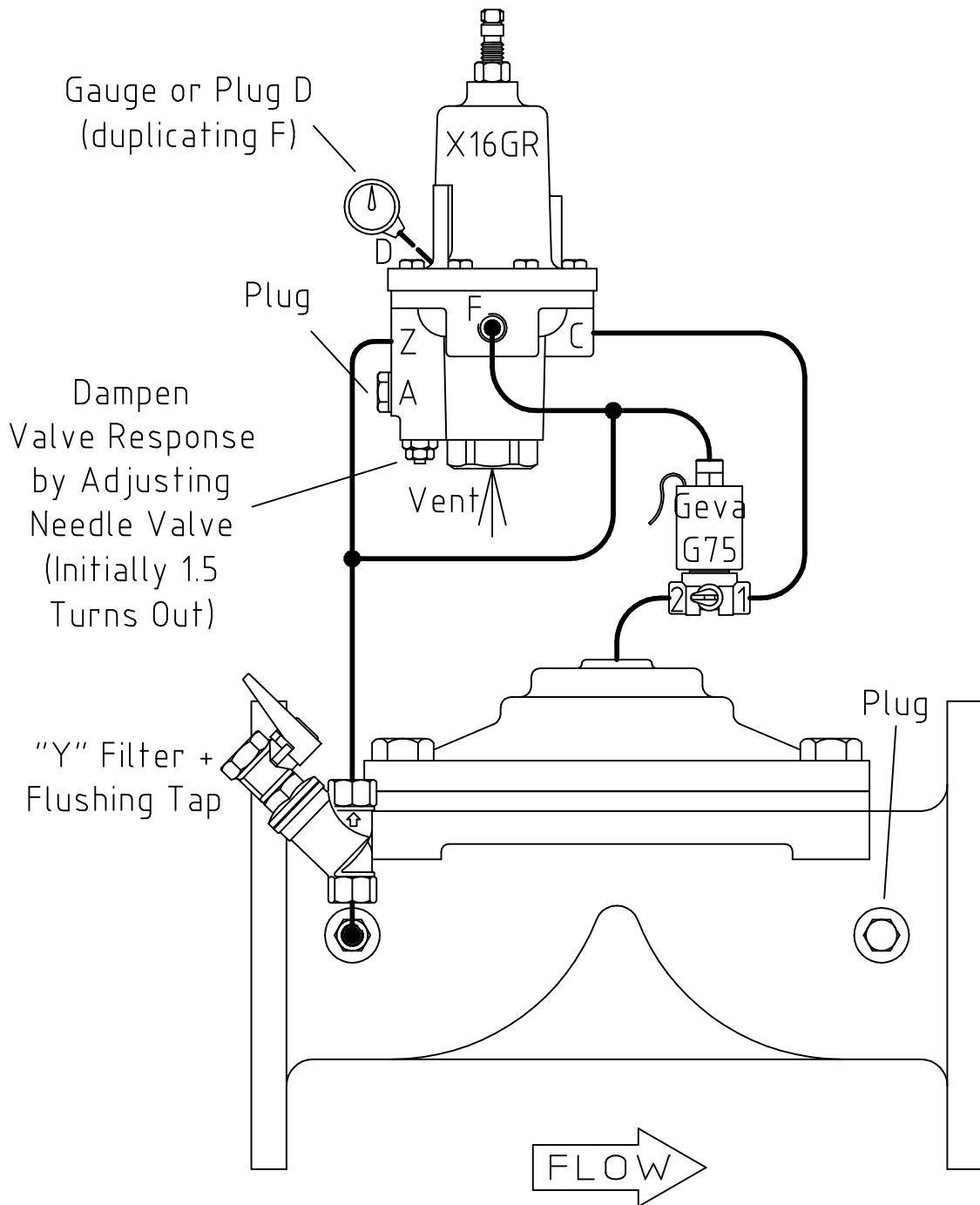




#156

PMB 51 Mannum
South Australia 5238
ph. (08) 8570 4251
fax. (08) 8570 4180

Electric, Pressure Sustaining, Normally Closed Valve
Solenoid ~ Baccara, Geva G75, 3WNO 1.6
Pilot ~ Bermad, Brass, 3 Way, #X-16-G-R

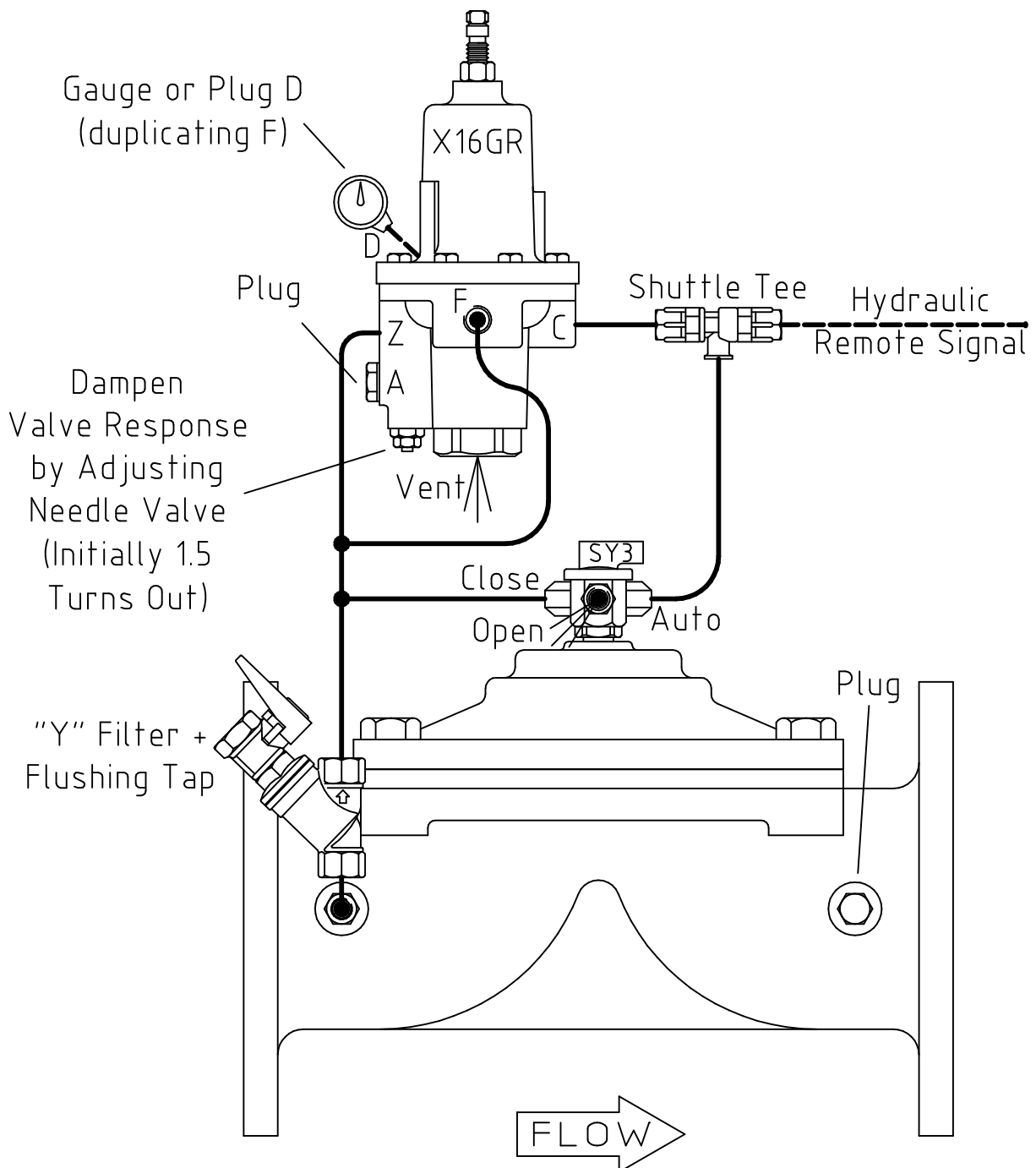




#158

PMB 51 Mannum
South Australia 5238
ph. (08) 8570 4251
fax. (08) 8570 4180

Hydraulic, Pressure Sustaining, Normally Open Valve
Relay ~ Galit
Pilot ~ Bermad, Brass, 3 Way, #X-16-G-R

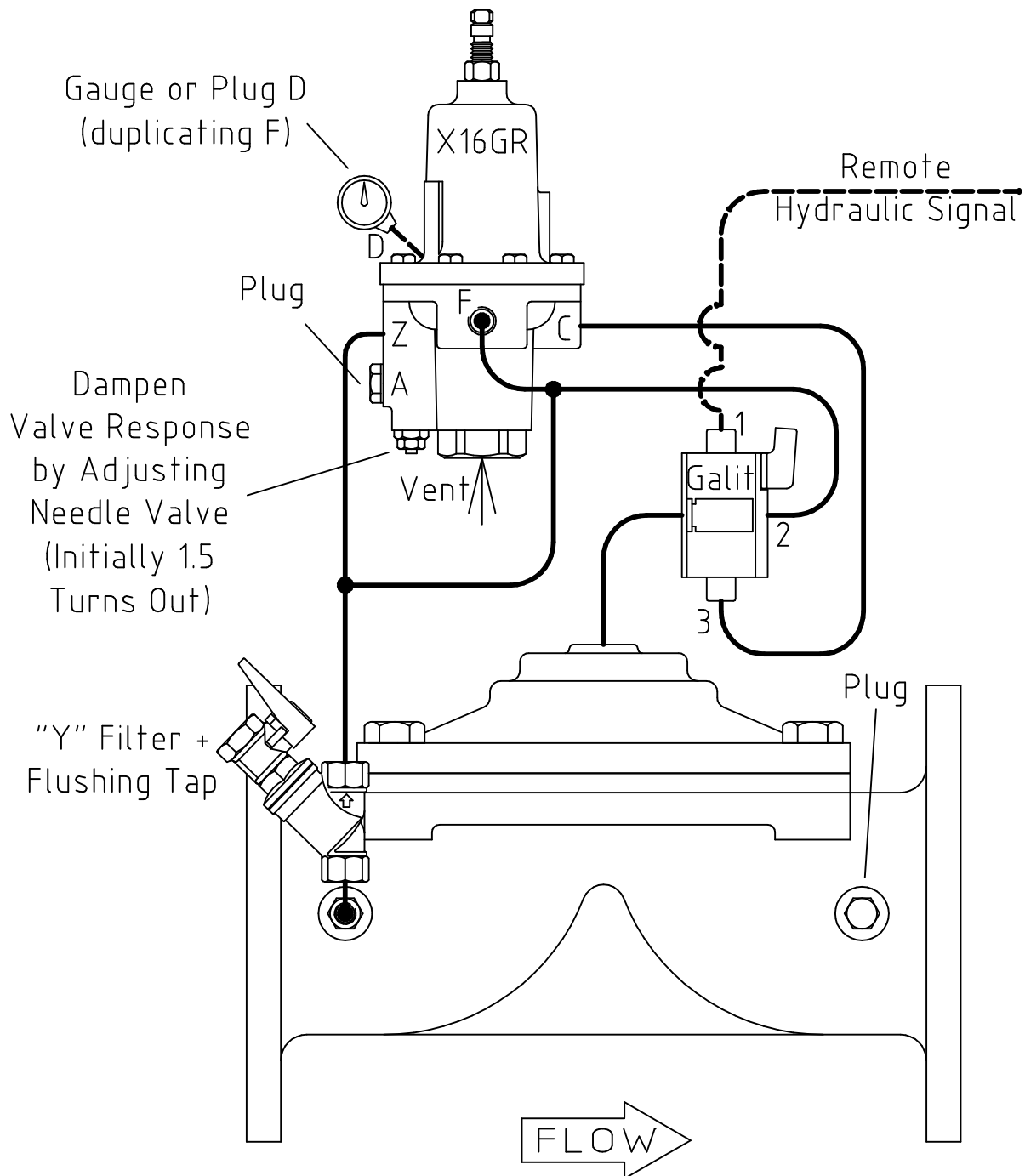




#159

PMB 51 Mannum
South Australia 5238
ph. (08) 8570 4251
fax. (08) 8570 4180

Hydraulic, Pressure Sustaining, Normally Closed Valve
Relay ~ Galit
Pilot ~ Bermad, Brass, 3 Way, #X-16-G-R

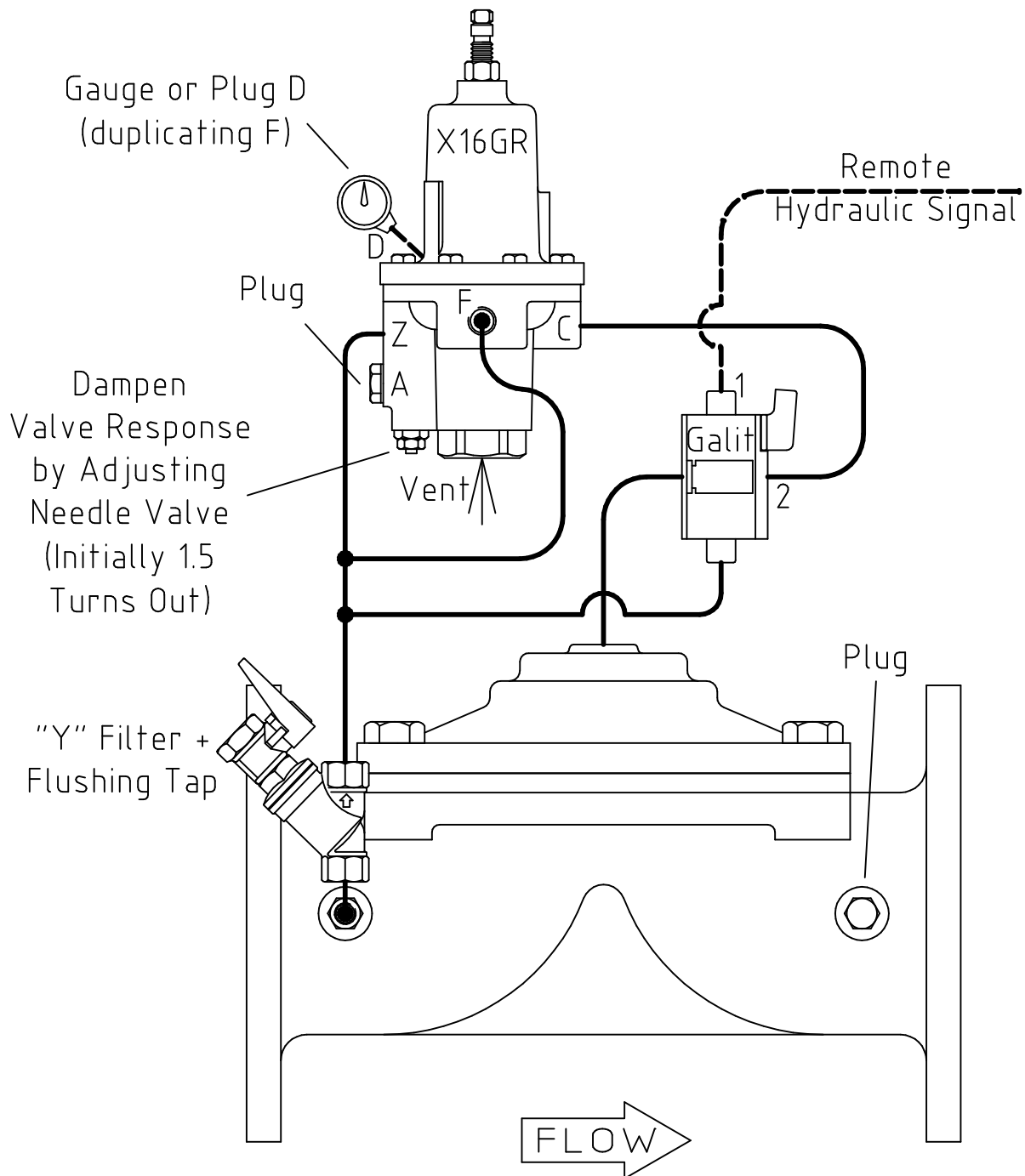




#160

PMB 51 Mannum
South Australia 5238
ph. (08) 8570 4251
fax. (08) 8570 4180

Hydraulic, Pressure Sustaining, Normally Open Valve
Relay ~ Galit
Pilot ~ Bermad, Brass, 3 Way, #X-16-G-R





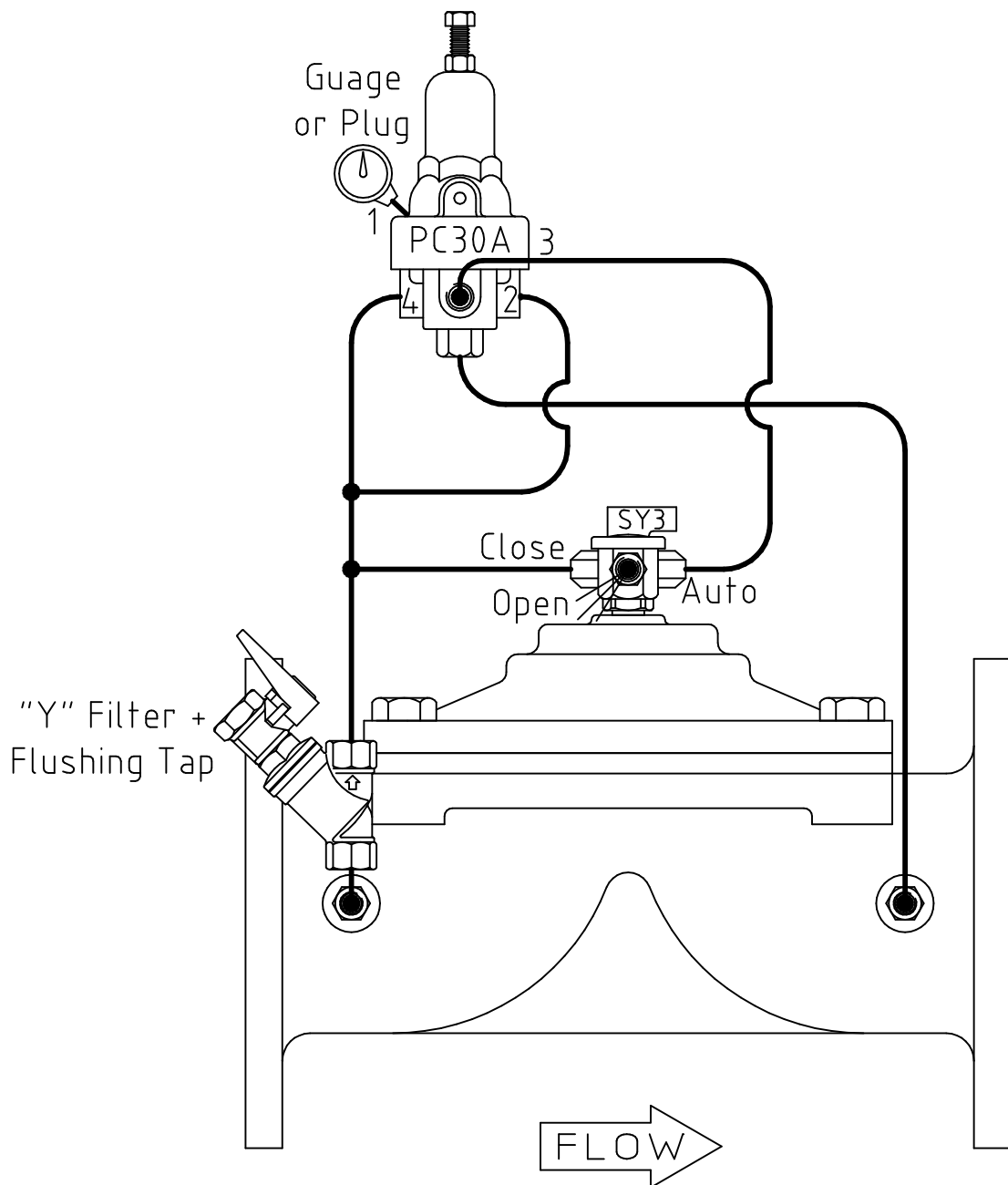
#161

PMB 51 Mannum
South Australia 5238
ph. (08) 8570 4251
fax. (08) 8570 4180

Manual, Pressure Sustaining Valve

Tap ~ SY3

Pilot ~ Bermad, Brass, 2 Way, PC-30-A

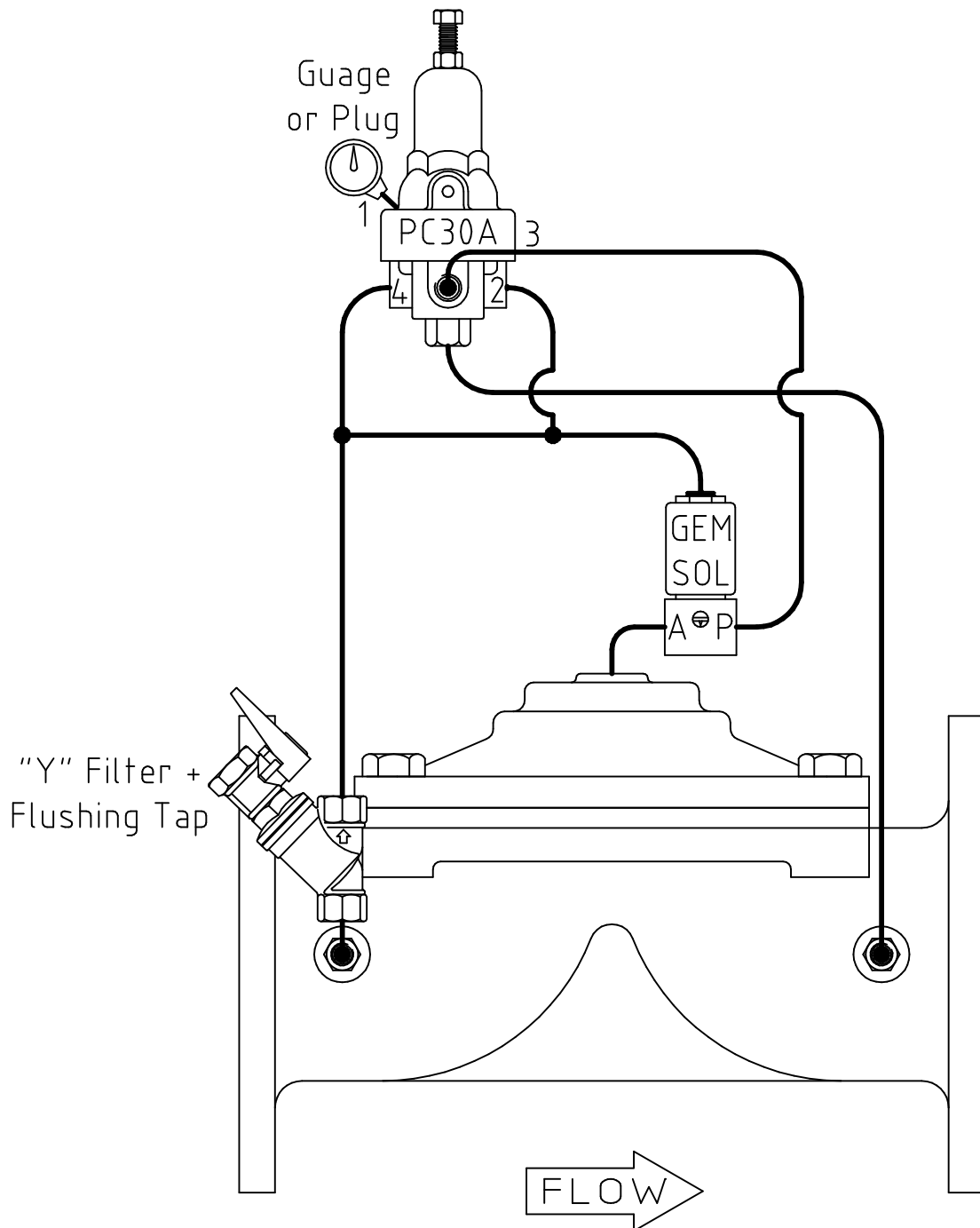




#162

PMB 51 Mannum
South Australia 5238
ph. (08) 8570 4251
fax. (08) 8570 4180

Electric, Pressure Sustaining, Normally Closed Valve
Solenoid ~ Baccara, Gem-Sol, 3-N/O Base
Pilot ~ Bermad, Brass, 2 Way, PC-30-A

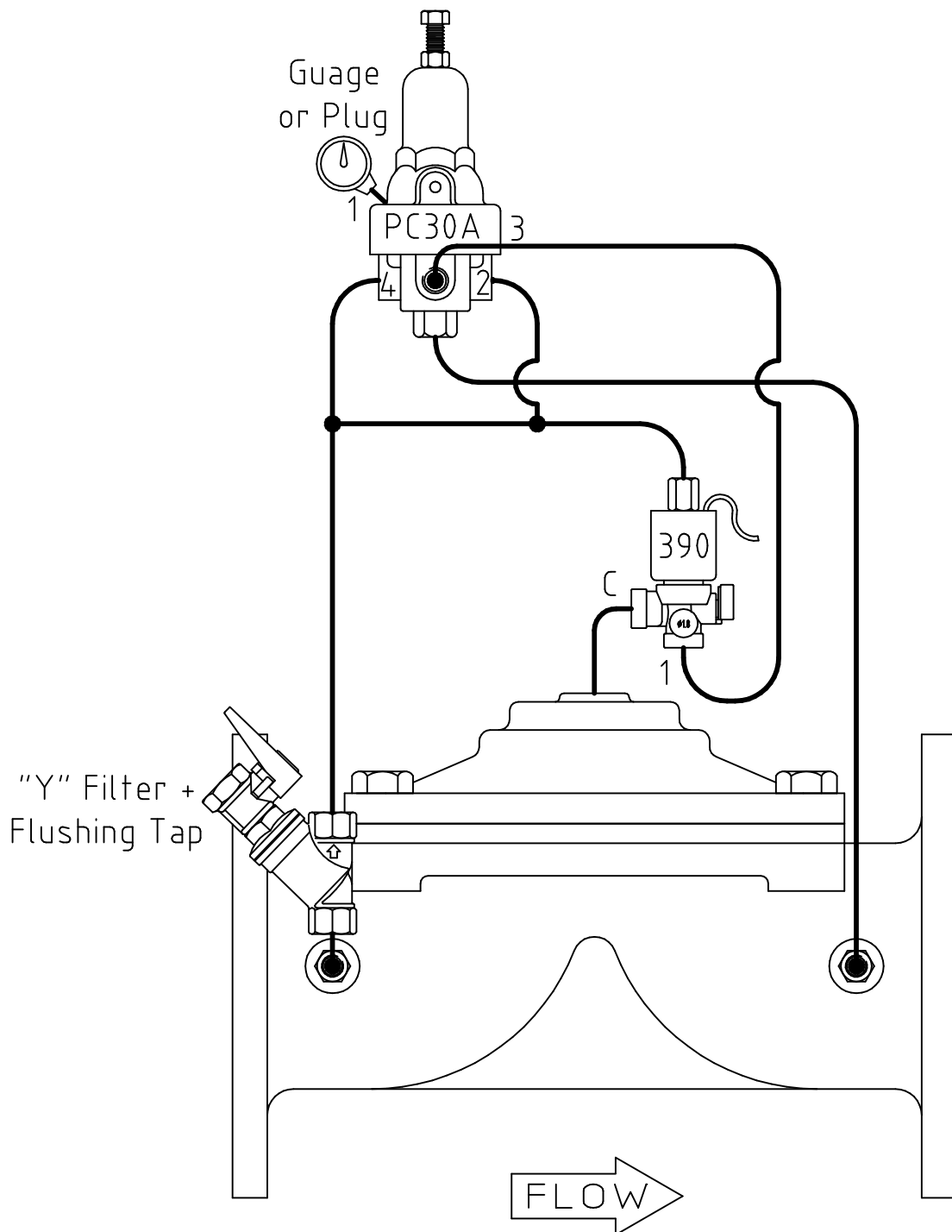




#164

PMB 51 Mannum
South Australia 5238
ph. (08) 8570 4251
fax. (08) 8570 4180

Electric, Pressure Sustaining, Normally Closed Valve
Solenoid ~ Bermad, S-390-3-R
Pilot ~ Bermad, Brass, 2 Way, PC-30-A

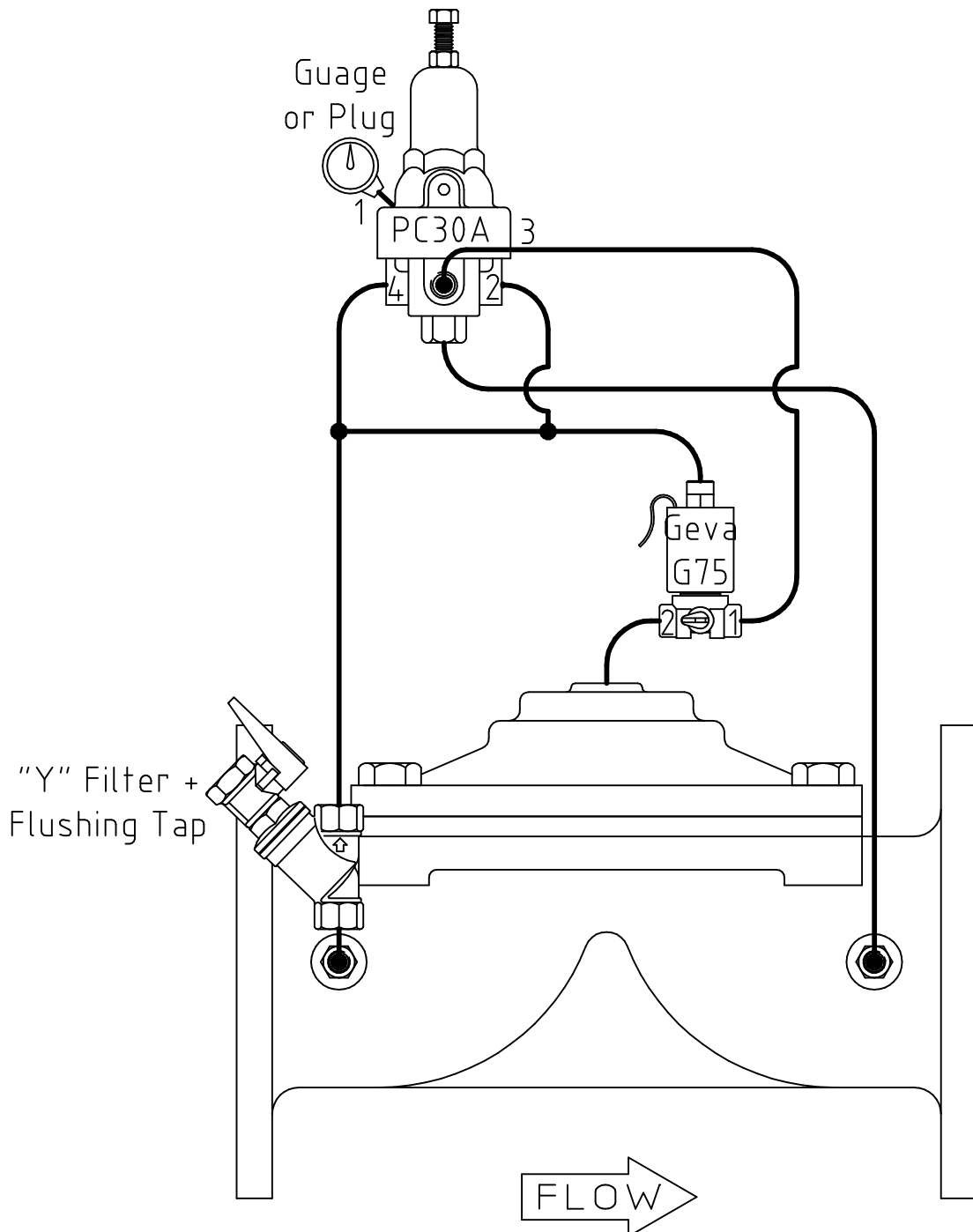




#166

PMB 51 Mannum
South Australia 5238
ph. (08) 8570 4251
fax. (08) 8570 4180

Electric, Pressure Sustaining, Normally Closed Valve
Solenoid ~ Baccara, Geva G75, 3WNO 1.6
Pilot ~ Bermad, Brass, 2 Way, PC-30-A

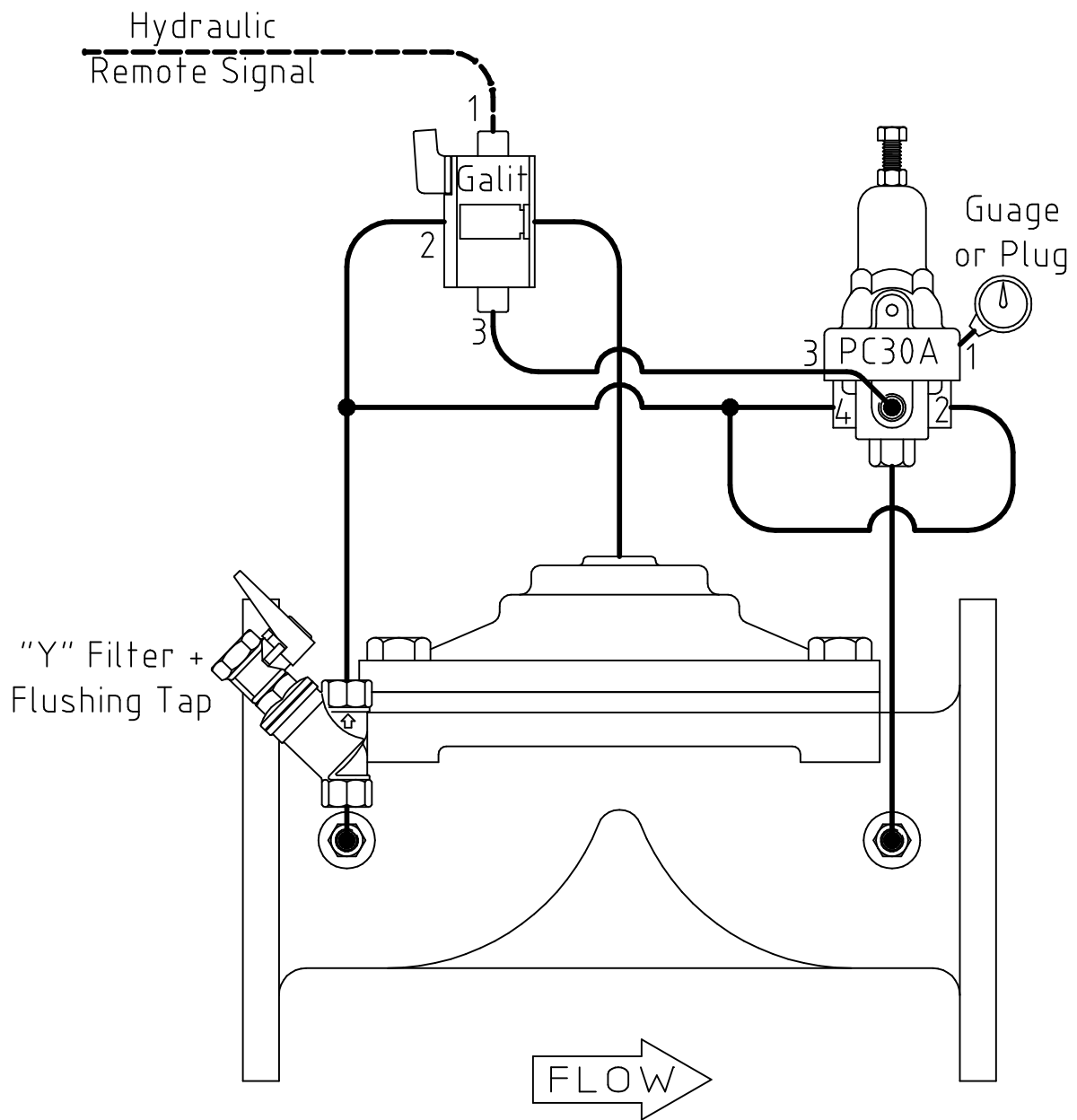




#169

PMB 51 Mannum
South Australia 5238
ph. (08) 8570 4251
fax. (08) 8570 4180

Hydraulic, Pressure Sustaining, Normally Closed Valve
Relay ~ Galit
Pilot ~ Bermad, Brass, 2 Way, PC-30-A

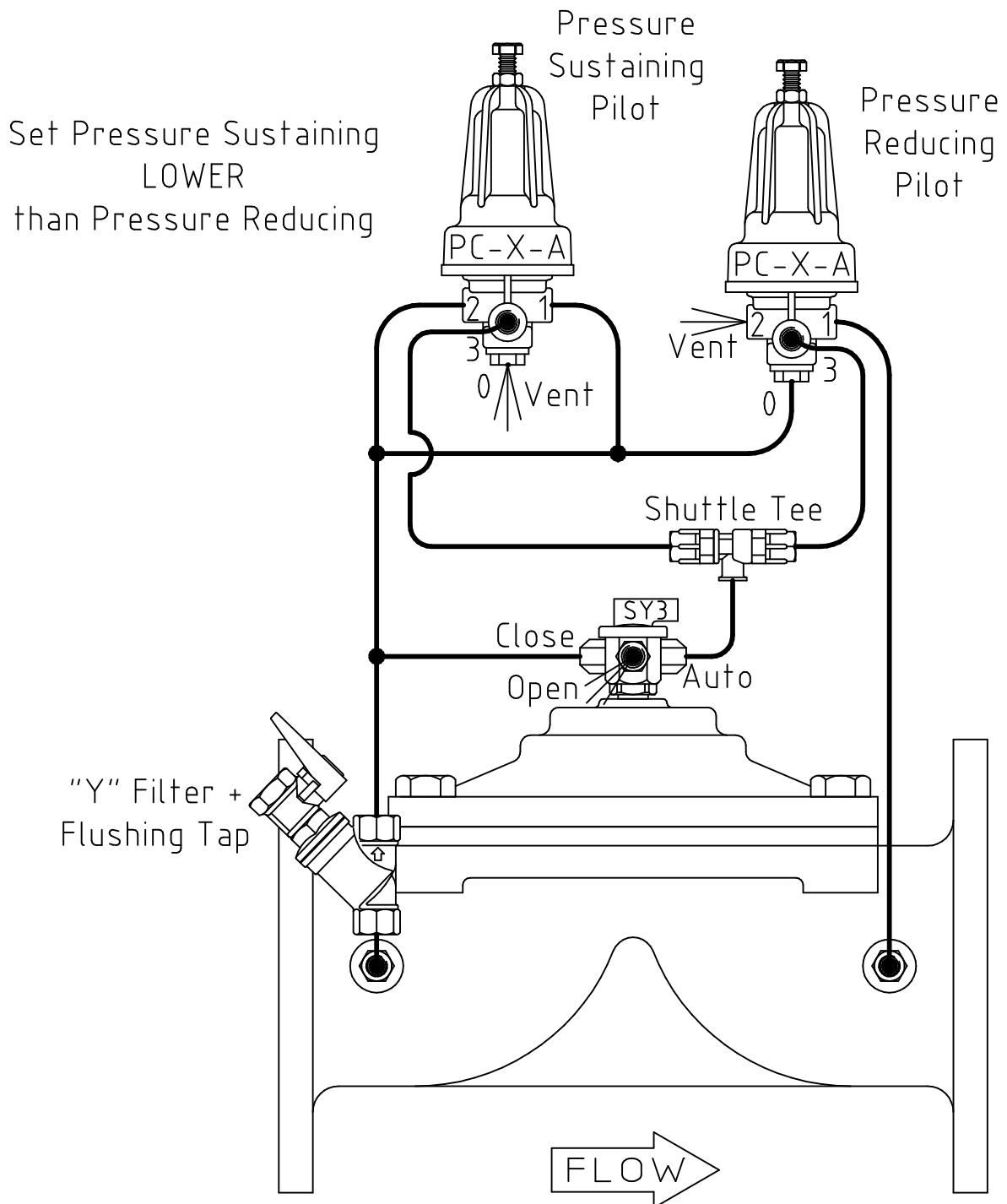




#171

PMB 51 Mannum
South Australia 5238
ph. (08) 8570 4251
fax. (08) 8570 4180

Manual, Pressure Sustaining & Reducing Valve
Tap ~ SY3
Pilots ~ Bermad, Plastic, 3 Way, PC-X-A

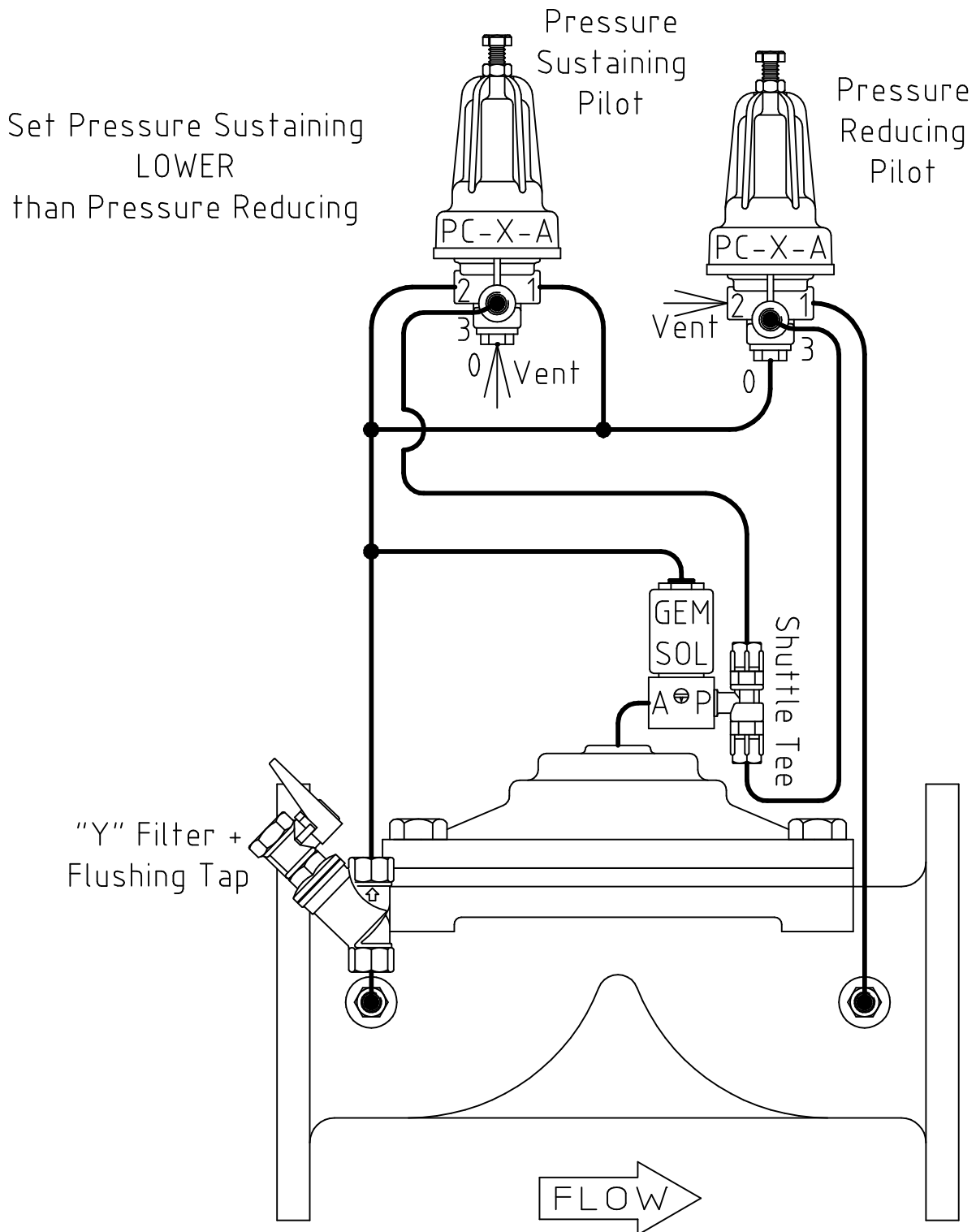




#172

PMB 51 Mannum
South Australia 5238
ph. (08) 8570 4251
fax. (08) 8570 4180

Electric, Pressure Sustaining & Reducing, N/C Valve
Solenoid ~ Baccara, Gem-Sol, 3-N/O Base
Pilots ~ Bermad, Plastic, 3 Way, PC-X-A

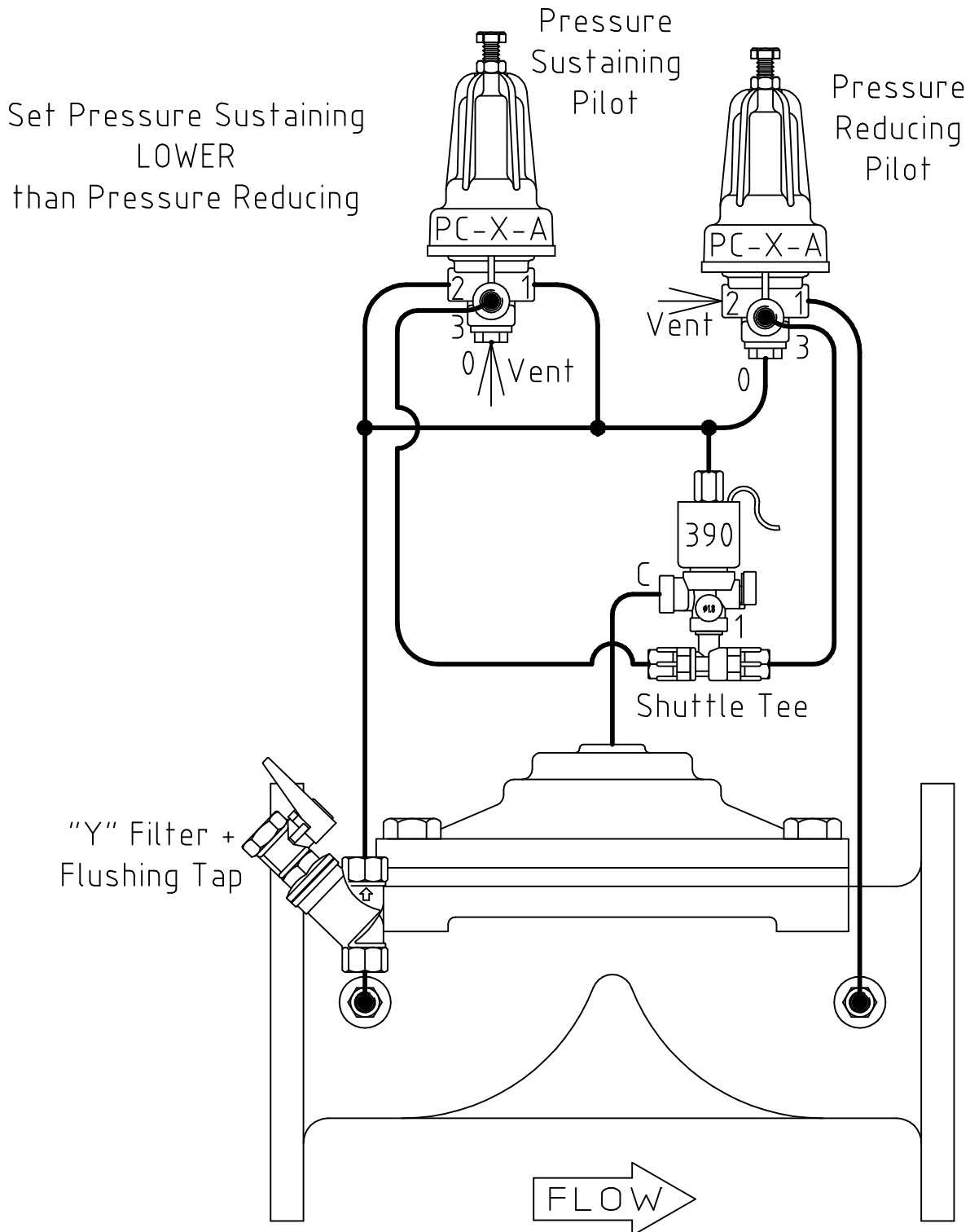




#174

PMB 51 Mannum
South Australia 5238
ph. (08) 8570 4251
fax. (08) 8570 4180

Electric, Pressure Sustaining & Reducing, N/C Valve
Solenoid ~ Bermad, S-390-3-R
Pilots ~ Bermad, Plastic, 3 Way, PC-X-A

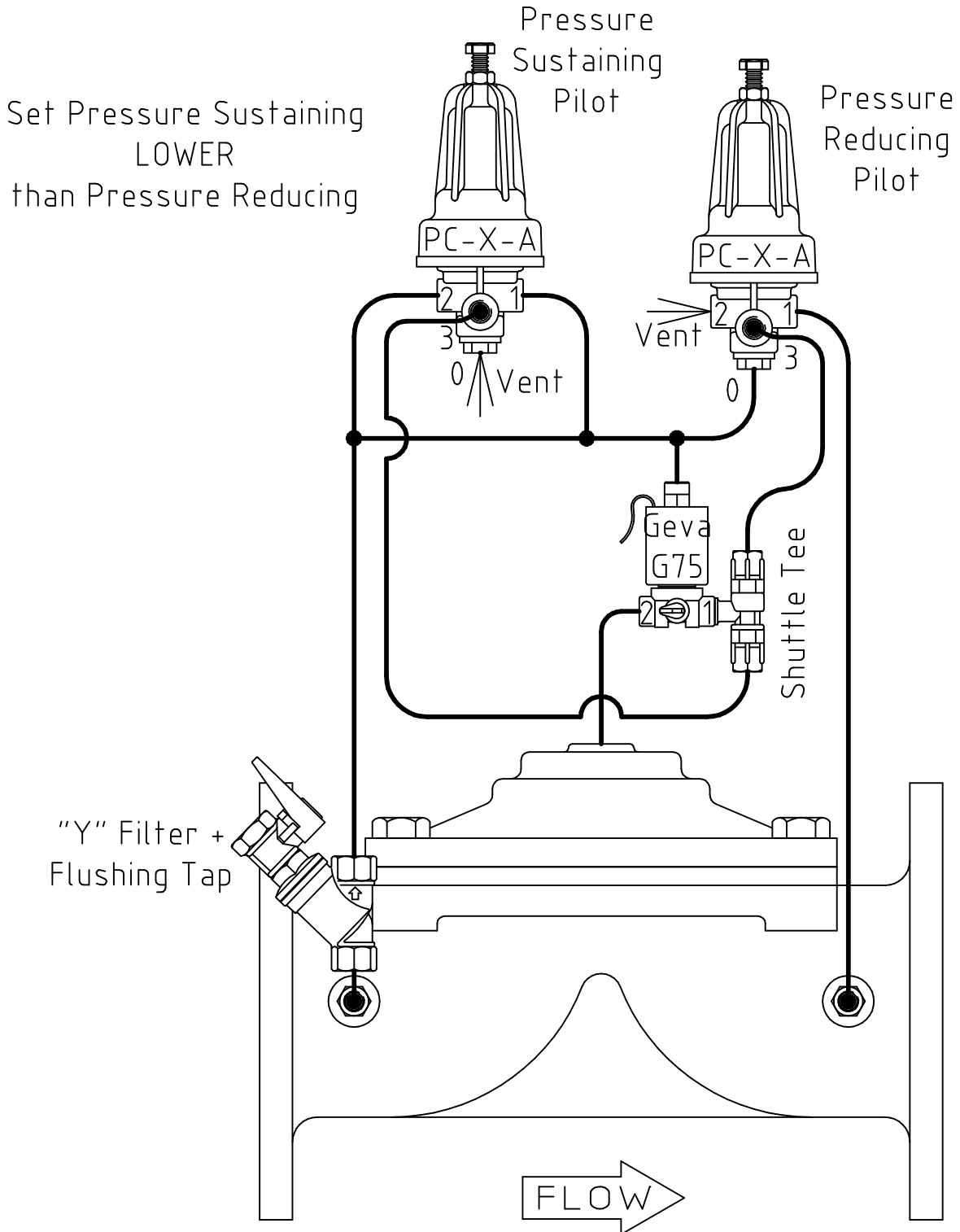




#176

PMB 51 Mannum
South Australia 5238
ph. (08) 8570 4251
fax. (08) 8570 4180

Electric, Pressure Sustaining & Reducing, N/C Valve
Solenoid ~ Baccara, Geva G75, 3WNO 1.6
Pilots ~ Bermad, Plastic, 3 Way, PC-X-A

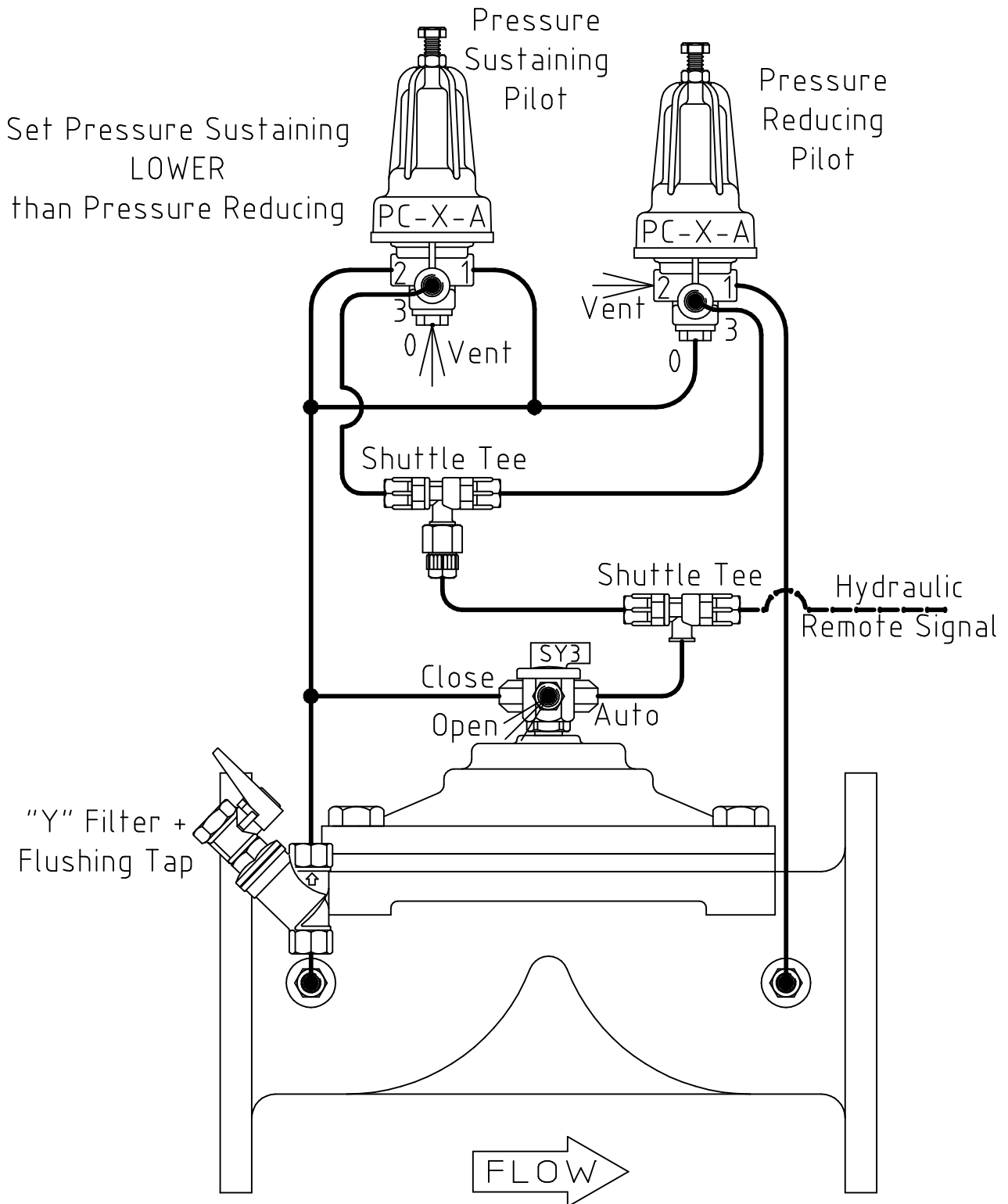




#178

PMB 51 Mannum
South Australia 5238
ph. (08) 8570 4251
fax. (08) 8570 4180

Hydraulic, Pressure Sustaining & Reducing, N/O Valve
Relay ~ Shuttle Tee
Pilots ~ Bermad, Plastic, 3 Way, PC-X-A



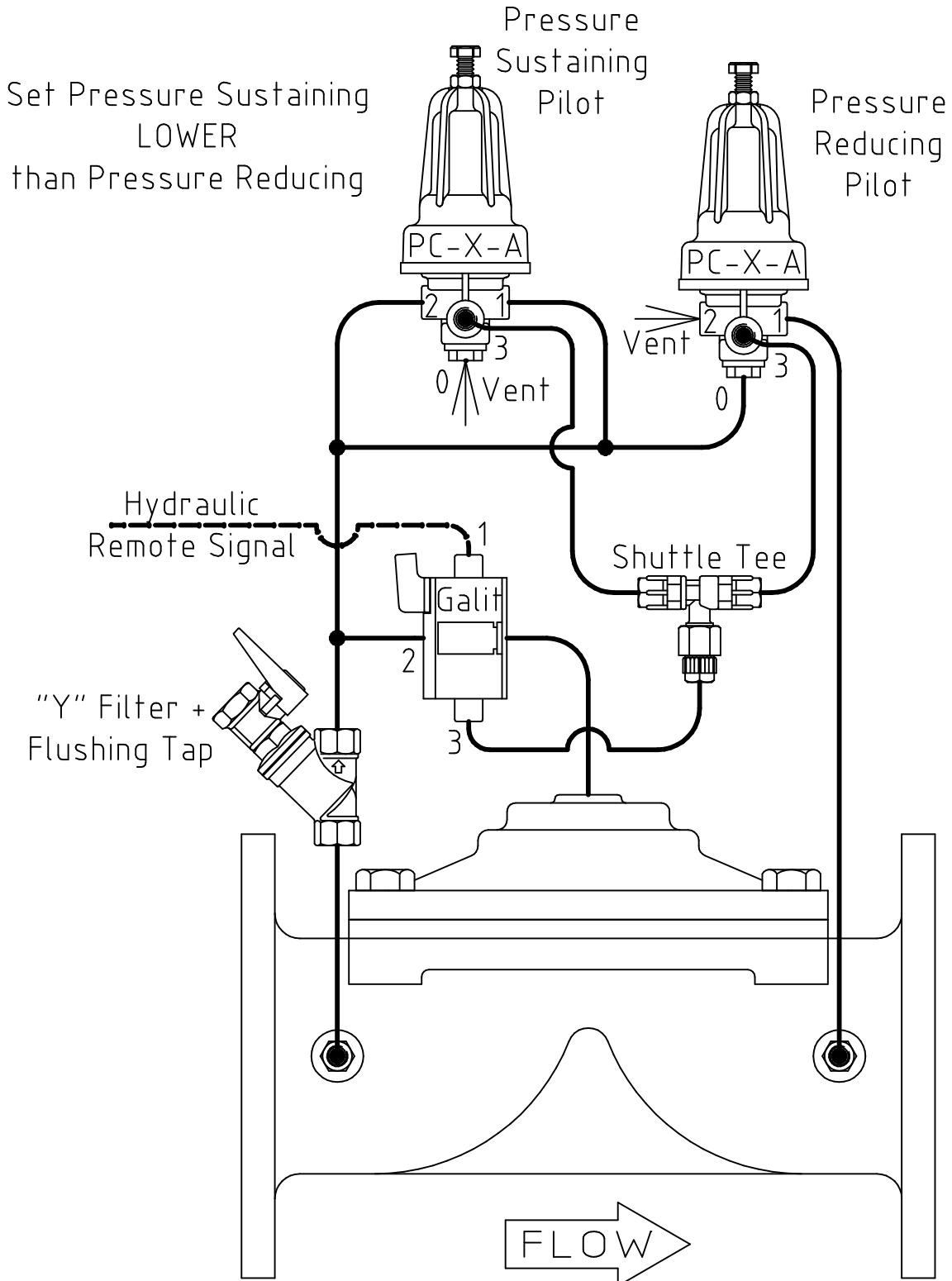


#179

PMB 51 Mannum
South Australia 5238
ph. (08) 8570 4251
fax. (08) 8570 4180

Hydraulic, Pressure Sustaining & Reducing, N/C Valve
Relay ~ Galit

Pilots ~ Bermad, Plastic, 3 Way, PC-X-A





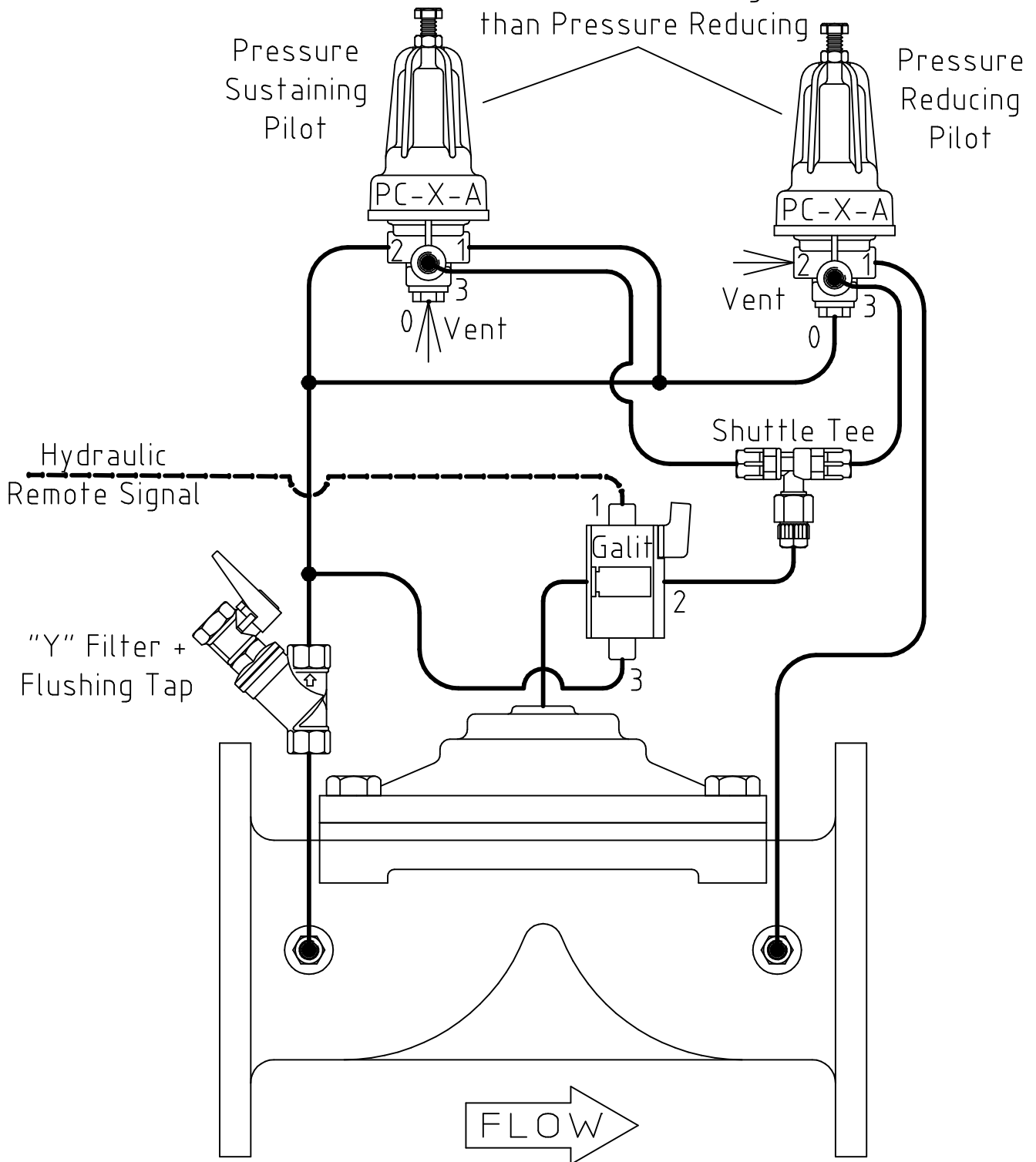
#180

PMB 51 Mannum
South Australia 5238
ph. (08) 8570 4251
fax. (08) 8570 4180

Hydraulic, Pressure Sustaining & Reducing, N/O Valve
Relay ~ Galit

Pilots ~ Bermad, Plastic, 3 Way, PC-X-A

Set Pressure Sustaining LOWER
than Pressure Reducing

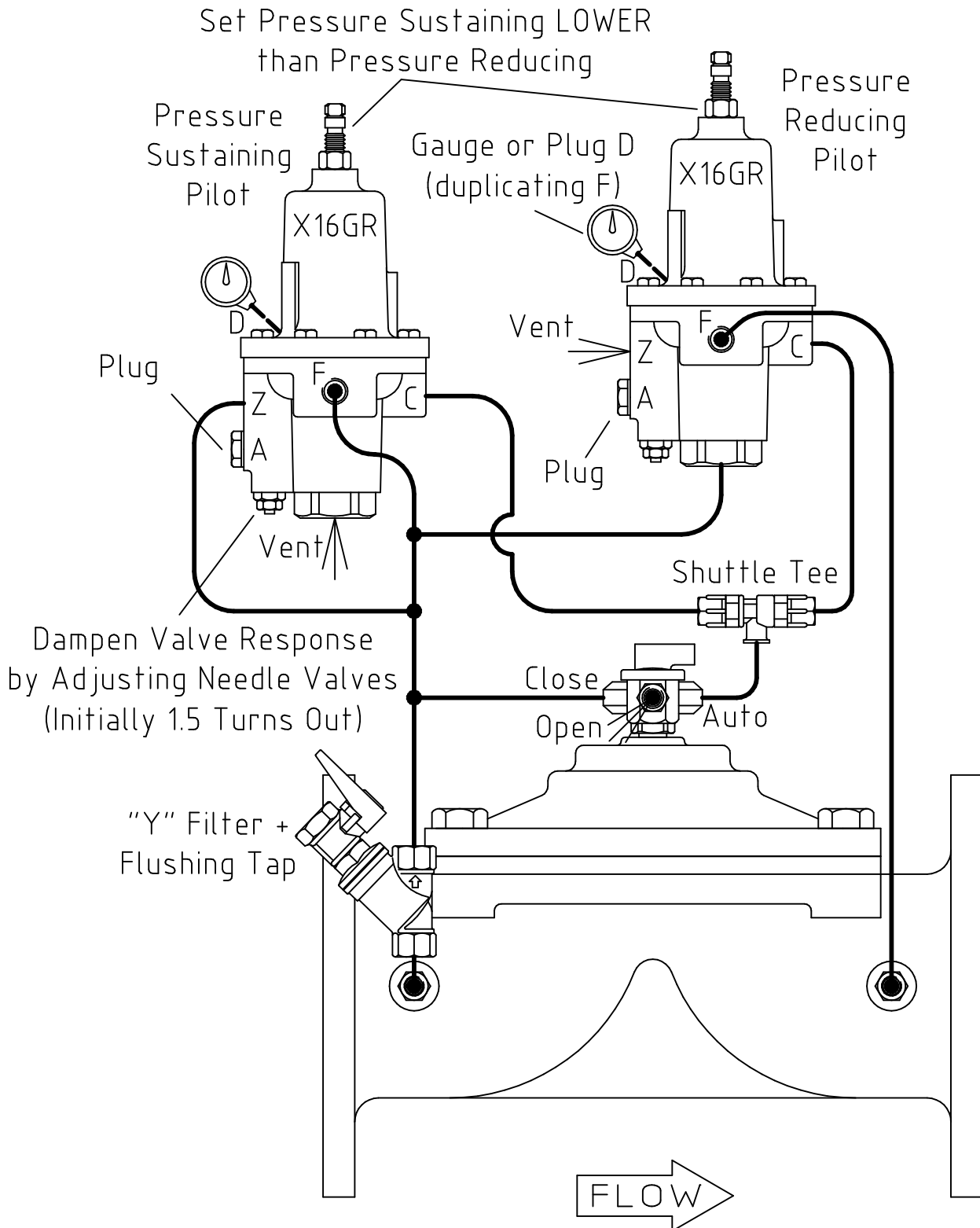




#181

PMB 51 Mannum
South Australia 5238
ph. (08) 8570 4251
fax. (08) 8570 4180

Manual, Pressure Sustaining & Reducing Valve
Tap ~ SY3
Pilots ~ Bermad, Brass, 3 Way, #X-16-G-R

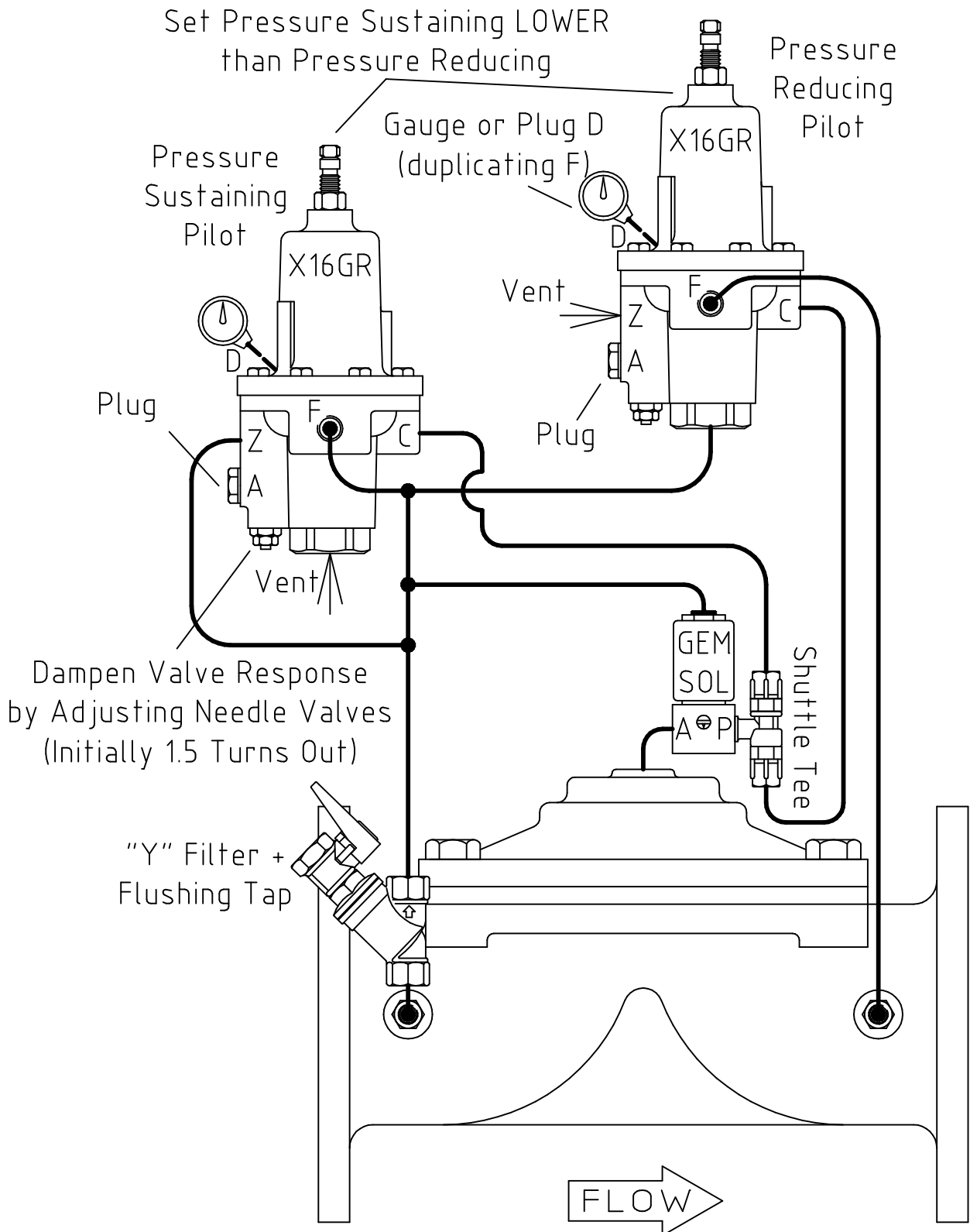




#182

PMB 51 Mannum
South Australia 5238
ph. (08) 8570 4251
fax. (08) 8570 4180

Electric, Pressure Sustaining & Reducing, N/C Valve
Solenoid ~ Baccara, Gem-Sol, 3-N/O Base
Pilots ~ Bermad, Brass, 3 Way, #X-16-G-R

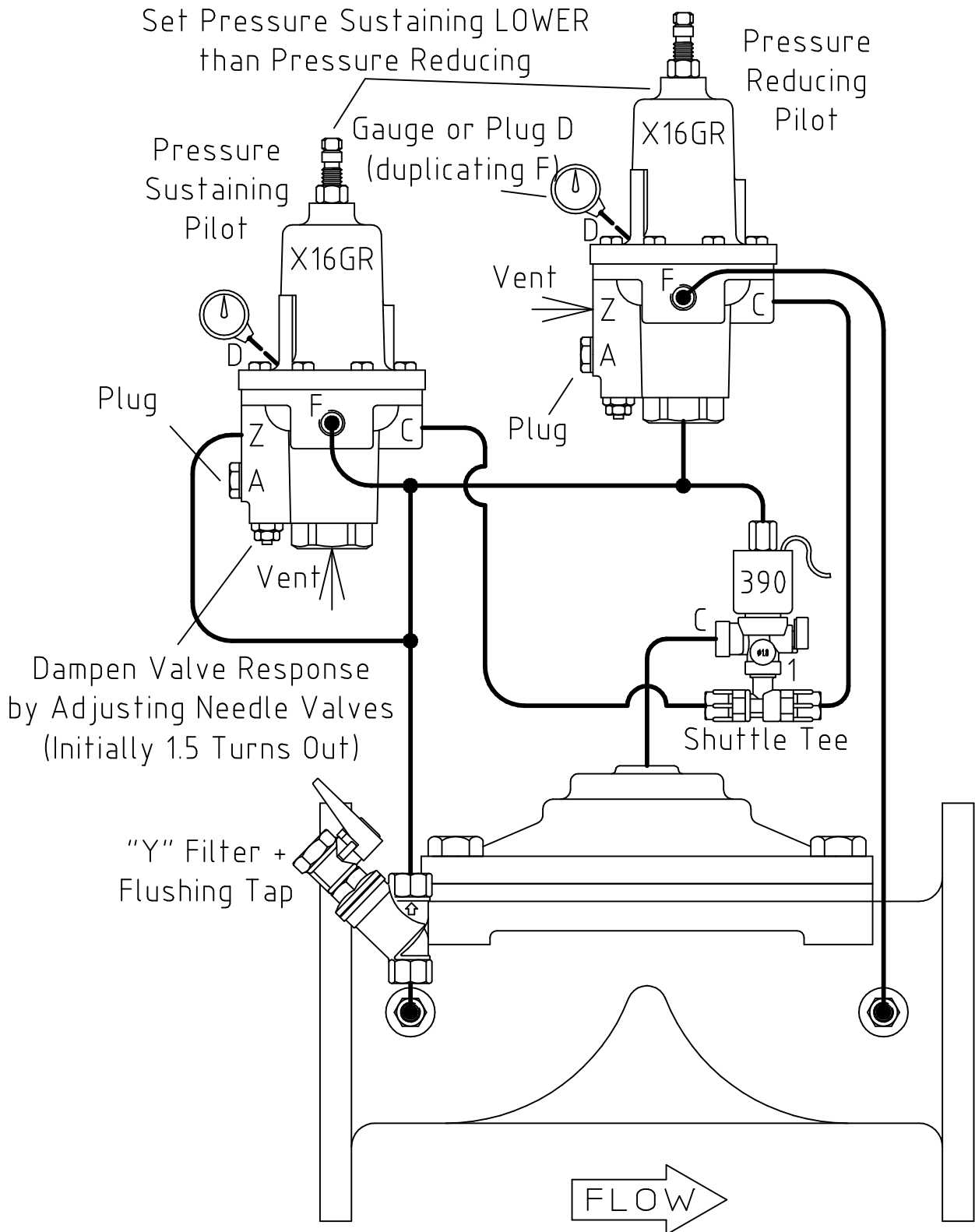




#184

PMB 51 Mannum
South Australia 5238
ph. (08) 8570 4251
fax. (08) 8570 4180

Electric, Pressure Sustaining & Reducing, N/C Valve
Solenoid ~ Bermad, S-390-3-R
Pilots ~ Bermad, Brass, 3 Way, #X-16-G-R





#186

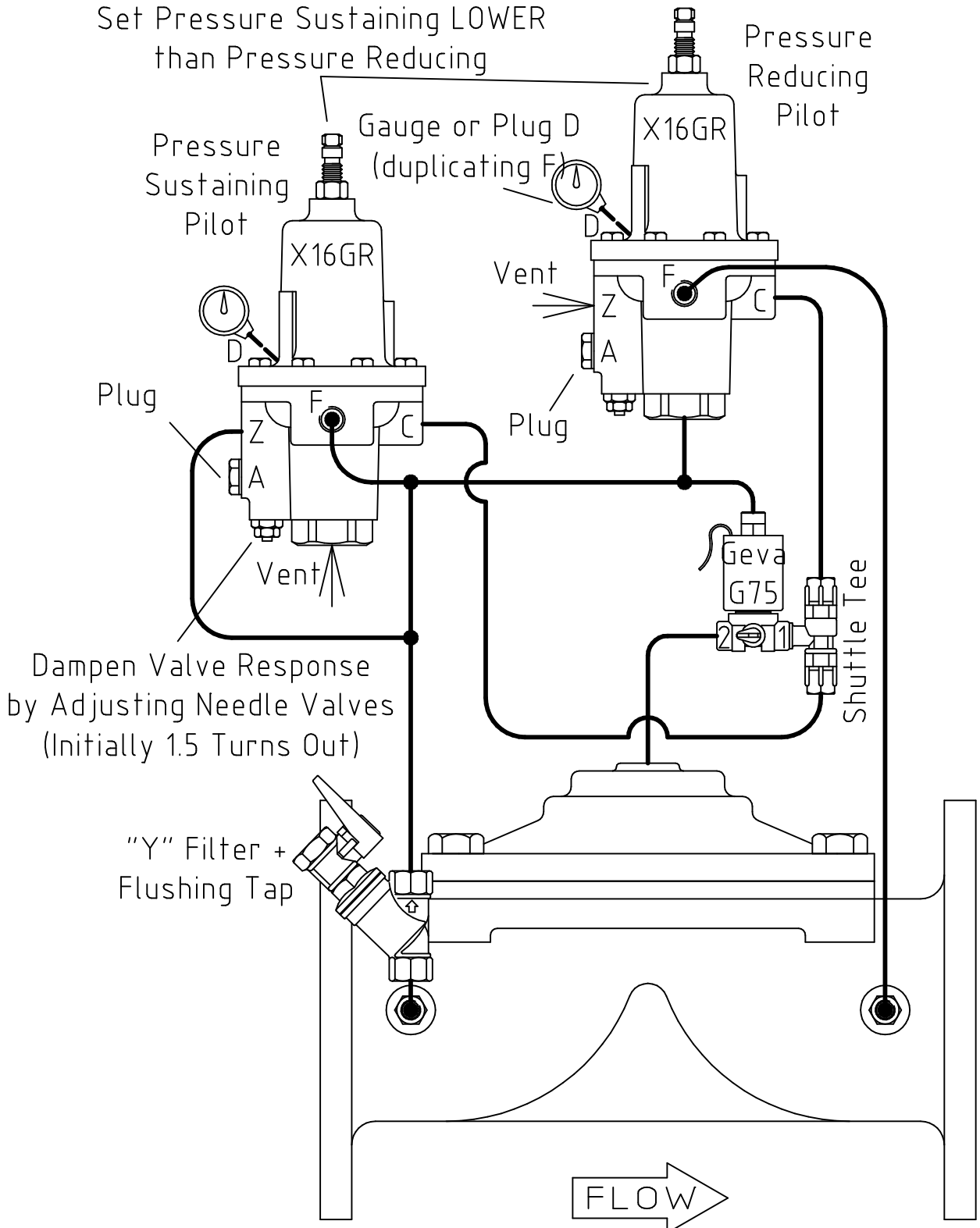
PMB 51 Mannum
South Australia 5238
ph. (08) 8570 4251
fax. (08) 8570 4180

Electric, Pressure Sustaining & Reducing, N/C Valve

Solenoid ~ Baccara, Geva G75, 3WNO 1.6

Pilots ~ Bermad, Brass, 3 Way, #X-16-G-R

Set Pressure Sustaining LOWER
than Pressure Reducing





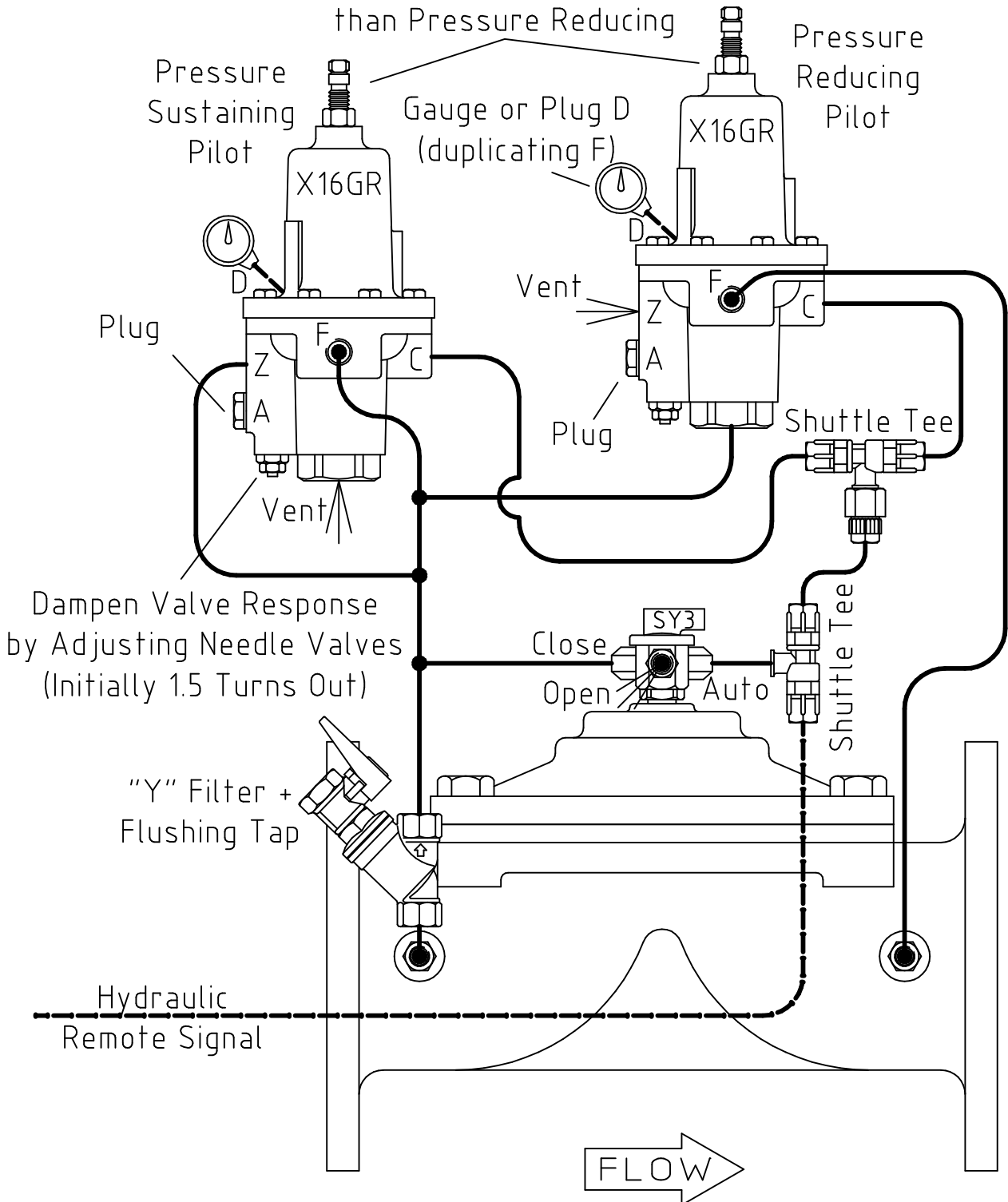
#188

PMB 51 Mannum
South Australia 5238
ph. (08) 8570 4251
fax. (08) 8570 4180

Hydraulic, Pressure Sustaining & Reducing, N/O Valve Relay ~ Shuttle Tee

Pilots ~ Bermad, Brass, 3 Way, #X-16-G-R

Set Pressure Sustaining LOWER
than Pressure Reducing





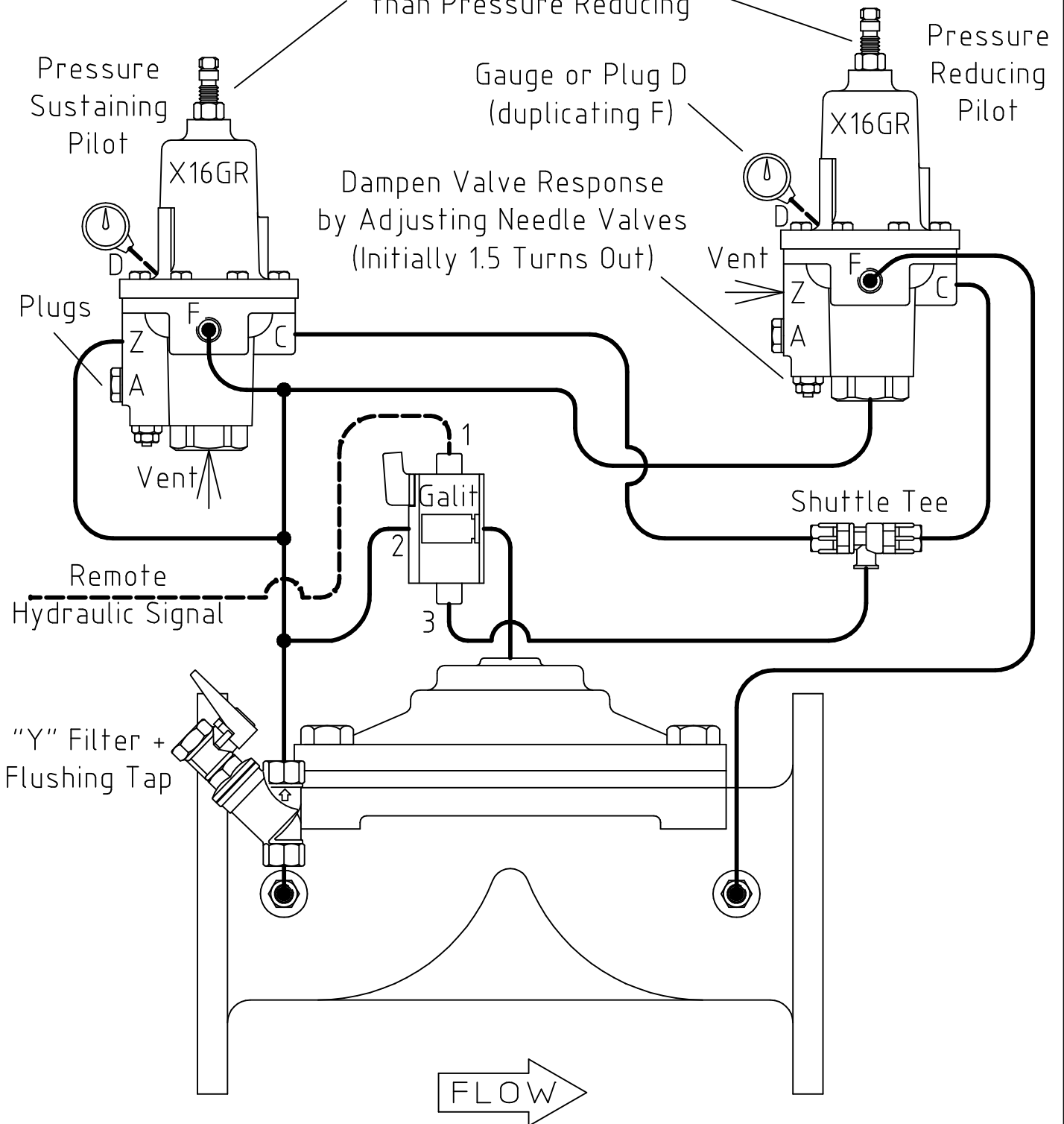
#189

PMB 51 Mannum
South Australia 5238
ph. (08) 8570 4251
fax. (08) 8570 4180

Hydraulic, Pressure Sustaining & Reducing, N/C Valve Relay ~ Galit

Pilots ~ Bermad, Brass, 3 Way, #X-16-G-R

Set Pressure Sustaining LOWER
than Pressure Reducing



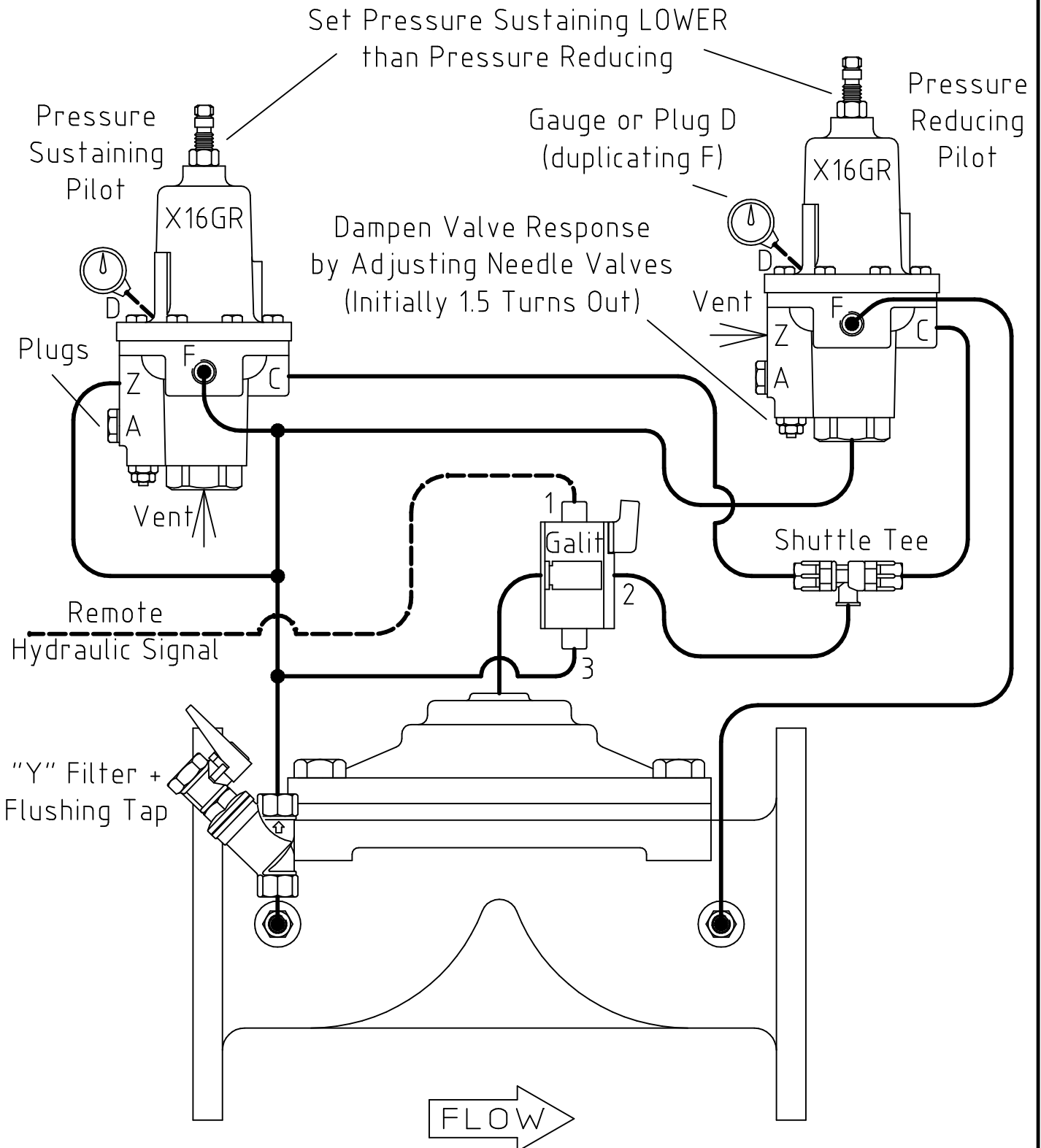


#190

PMB 51 Mannum
South Australia 5238
ph. (08) 8570 4251
fax. (08) 8570 4180

Hydraulic, Pressure Sustaining & Reducing, N/O Valve
Relay ~ Galit

Pilots ~ Bermad, Brass, 3 Way, #X-16-G-R

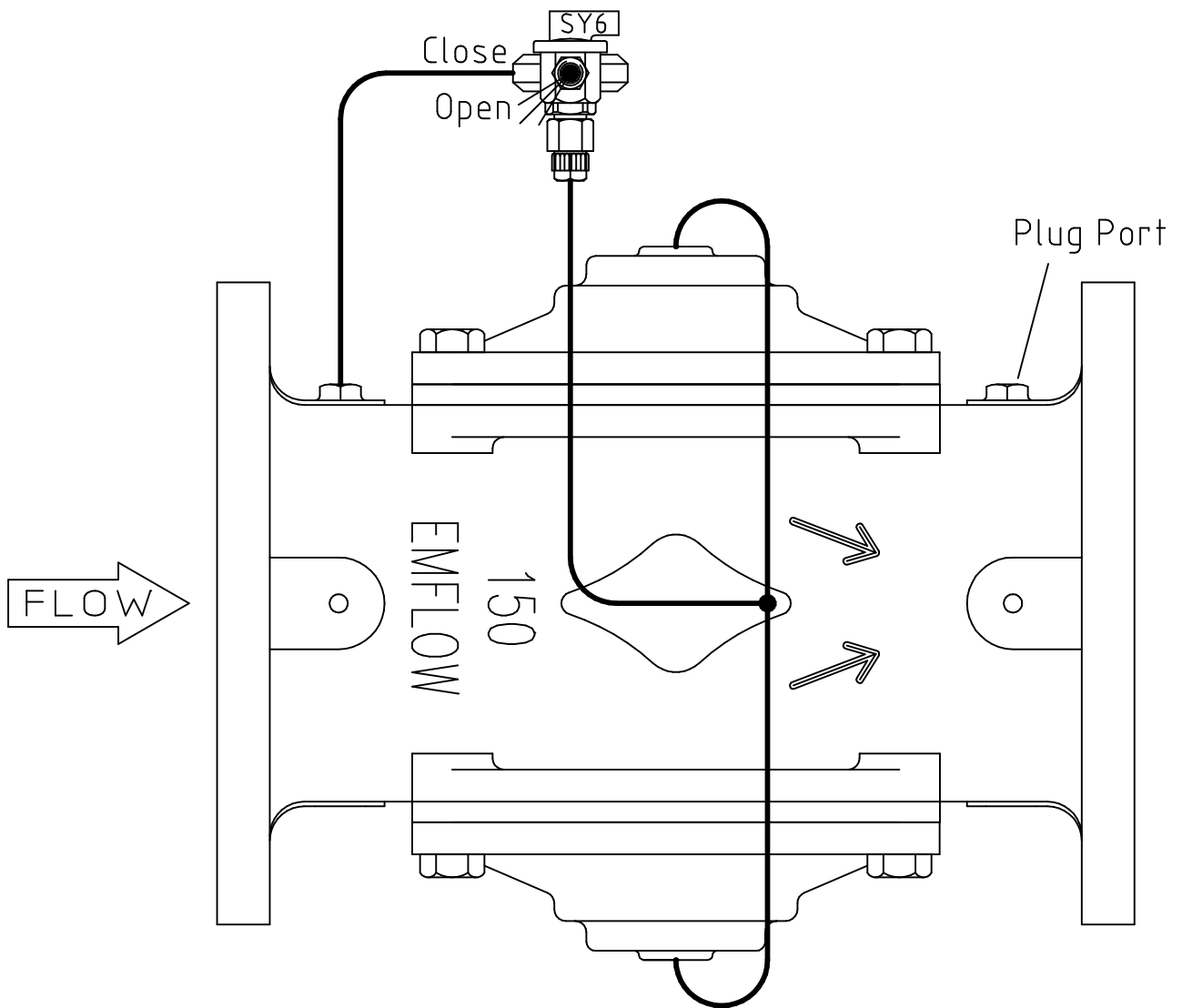




#201

PMB 51 Mannum
South Australia 5238
ph. (08) 8570 4251
fax. (08) 8570 4180

Manual Valve
Tap ~ SY6

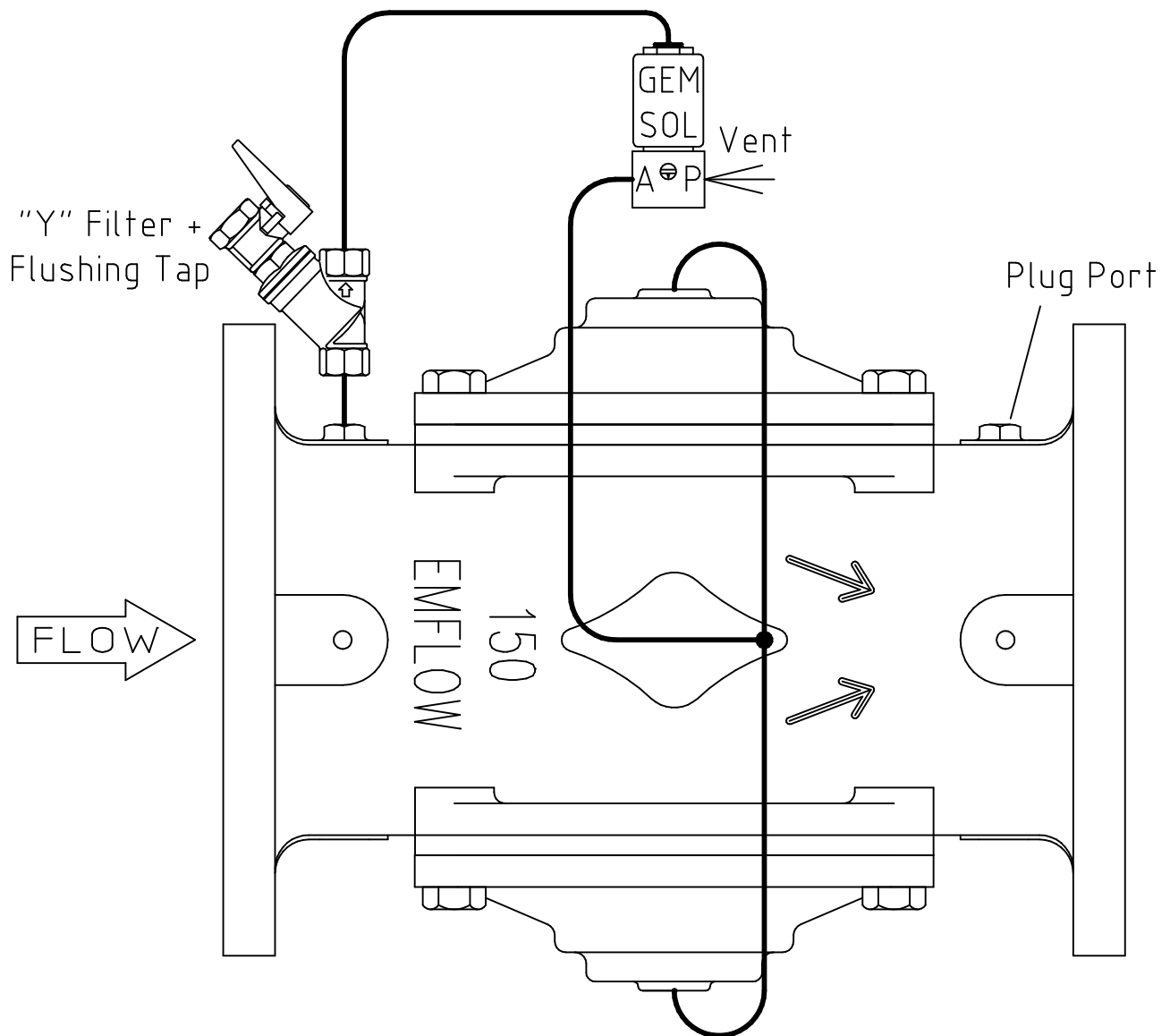




#202

PMB 51 Mannum
South Australia 5238
ph. (08) 8570 4251
fax. (08) 8570 4180

Electric, Normally Closed Valve
Solenoid ~ Baccara, Gem-Sol, 3-N/0 Base

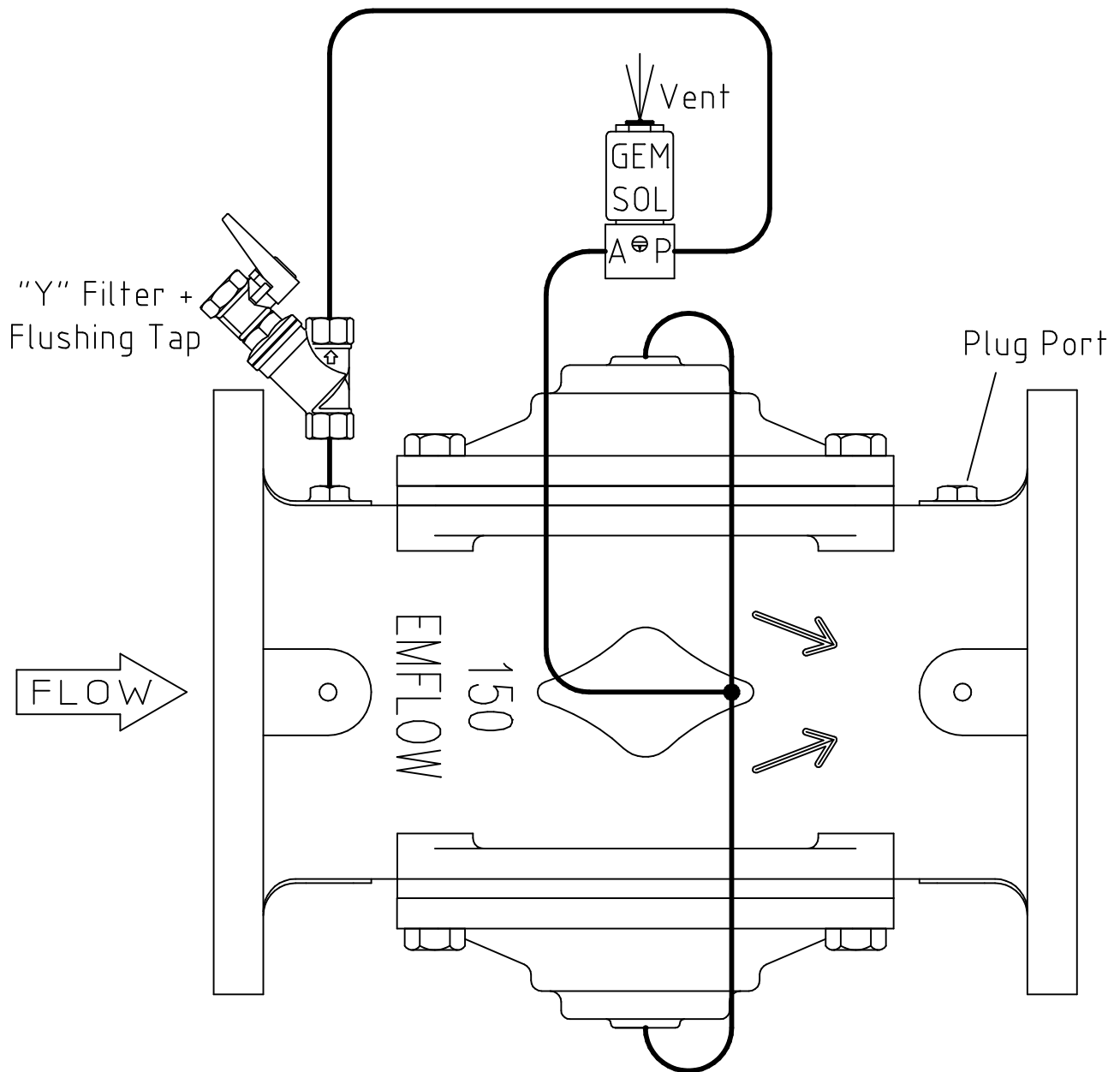




#203

PMB 51 Mannum
South Australia 5238
ph. (08) 8570 4251
fax. (08) 8570 4180

Electric, Normally Open Valve
Solenoid ~ Baccara, Gem-Sol, 3-N/O Base

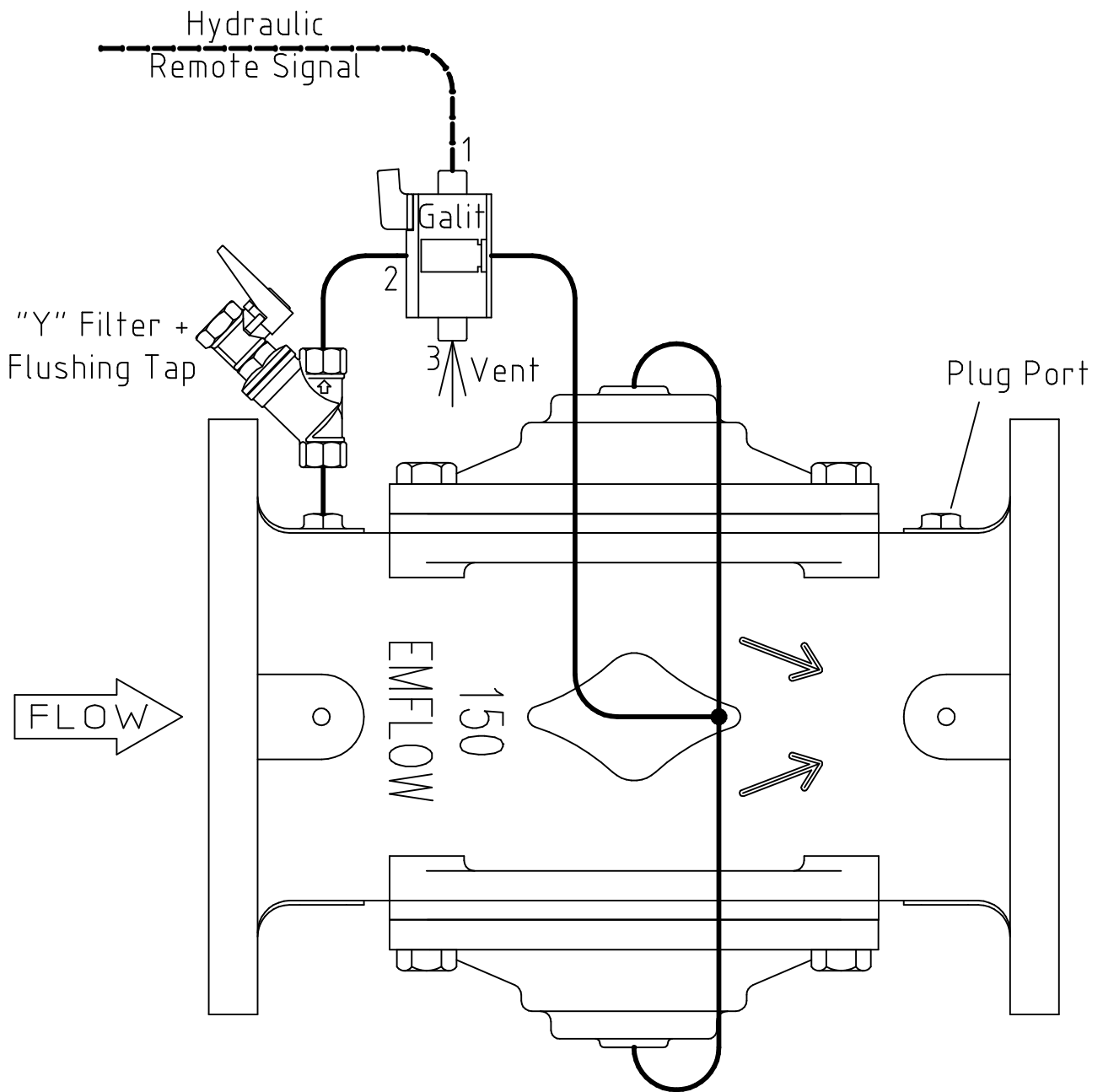




#205

PMB 51 Mannum
South Australia 5238
ph. (08) 8570 4251
fax. (08) 8570 4180

Hydraulic, Normally Closed Valve
Relay ~ Galit

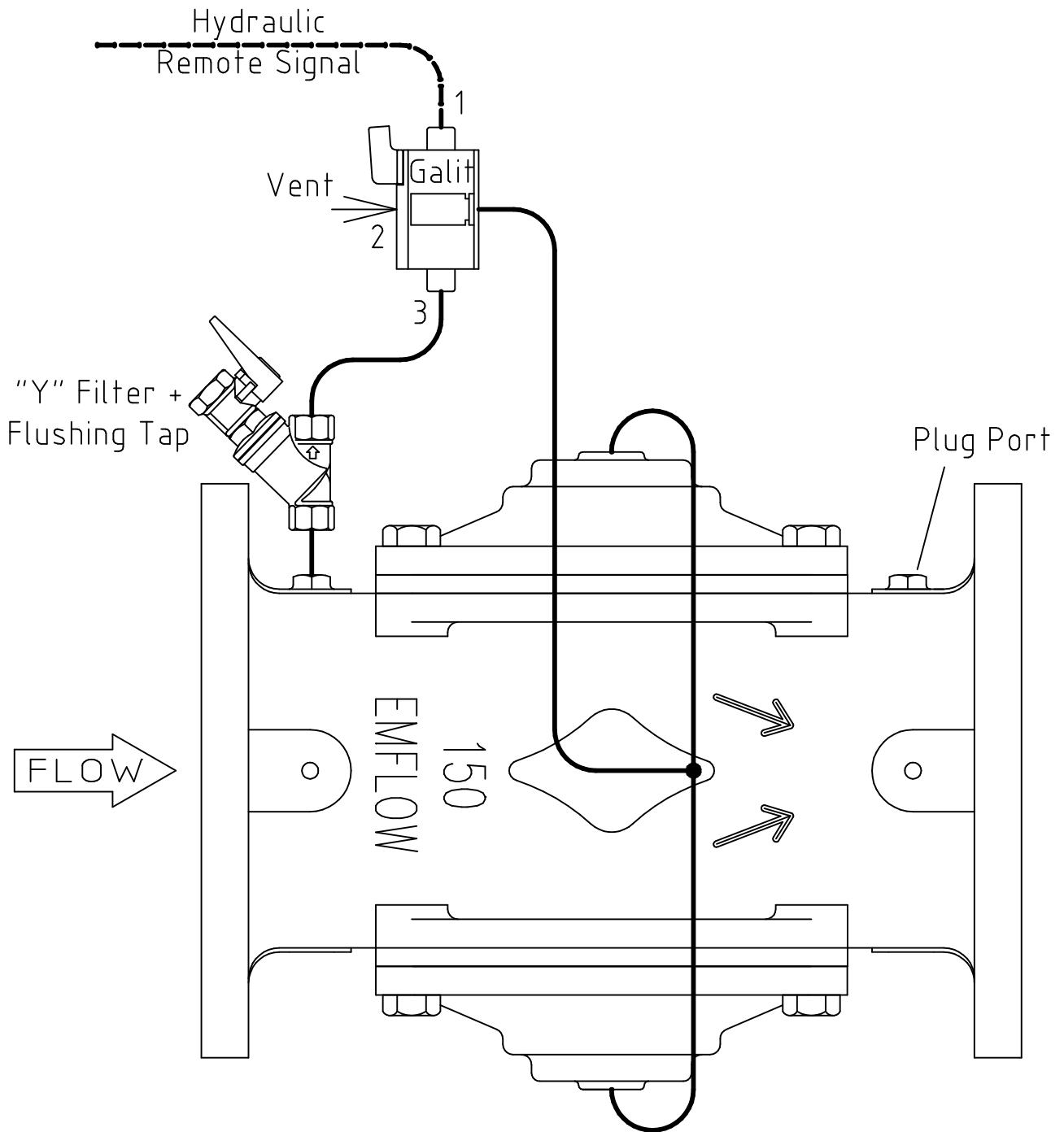




#206

PMB 51 Mannum
South Australia 5238
ph. (08) 8570 4251
fax. (08) 8570 4180

Hydraulic, Normally Open Valve
Relay ~ Galit





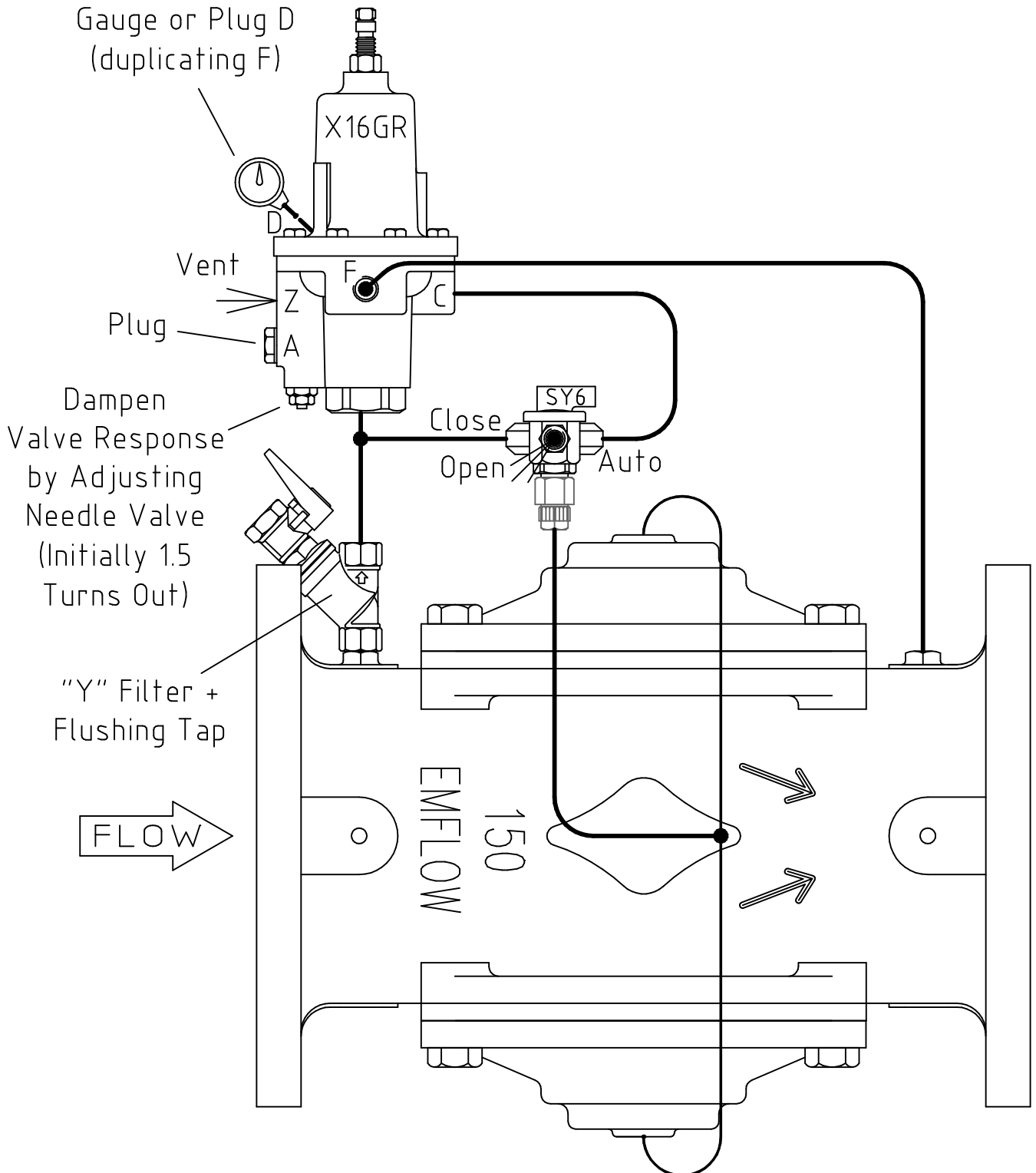
#213

PMB 51 Mannum
South Australia 5238
ph. (08) 8570 4251
fax. (08) 8570 4180

Manual, Pressure Reducing Valve

Tap ~ SY6

Pilot ~ Bermad, Brass, 3 Way, #X-16-G-R

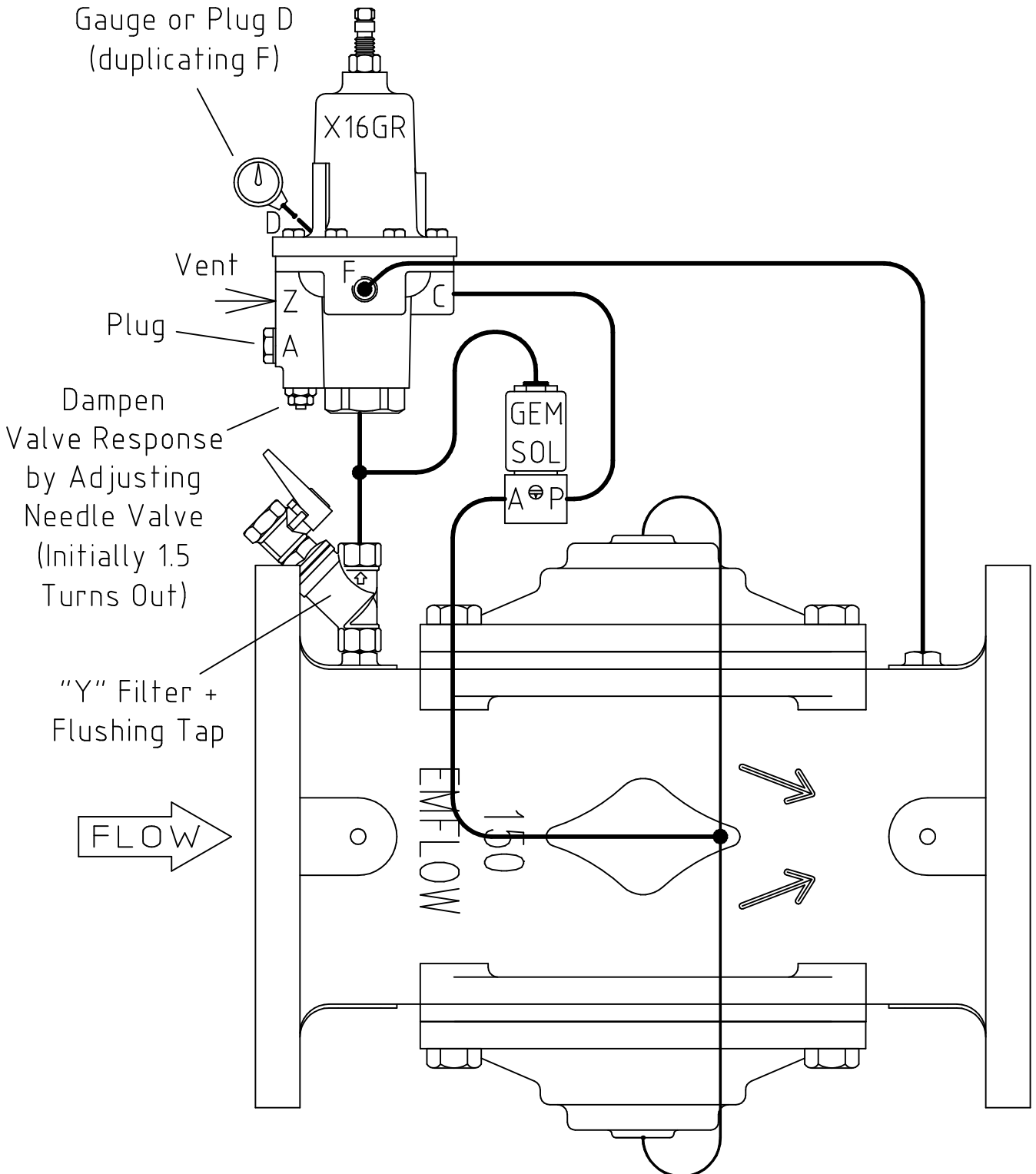




#214

PMB 51 Mannum
South Australia 5238
ph. (08) 8570 4251
fax. (08) 8570 4180

Electric, Pressure Reducing, Normally Closed Valve
Solenoid ~ Baccara, Gem-Sol, 3-N/O Base
Pilot ~ Bermad, Brass, 3 Way, #X-16-G-R

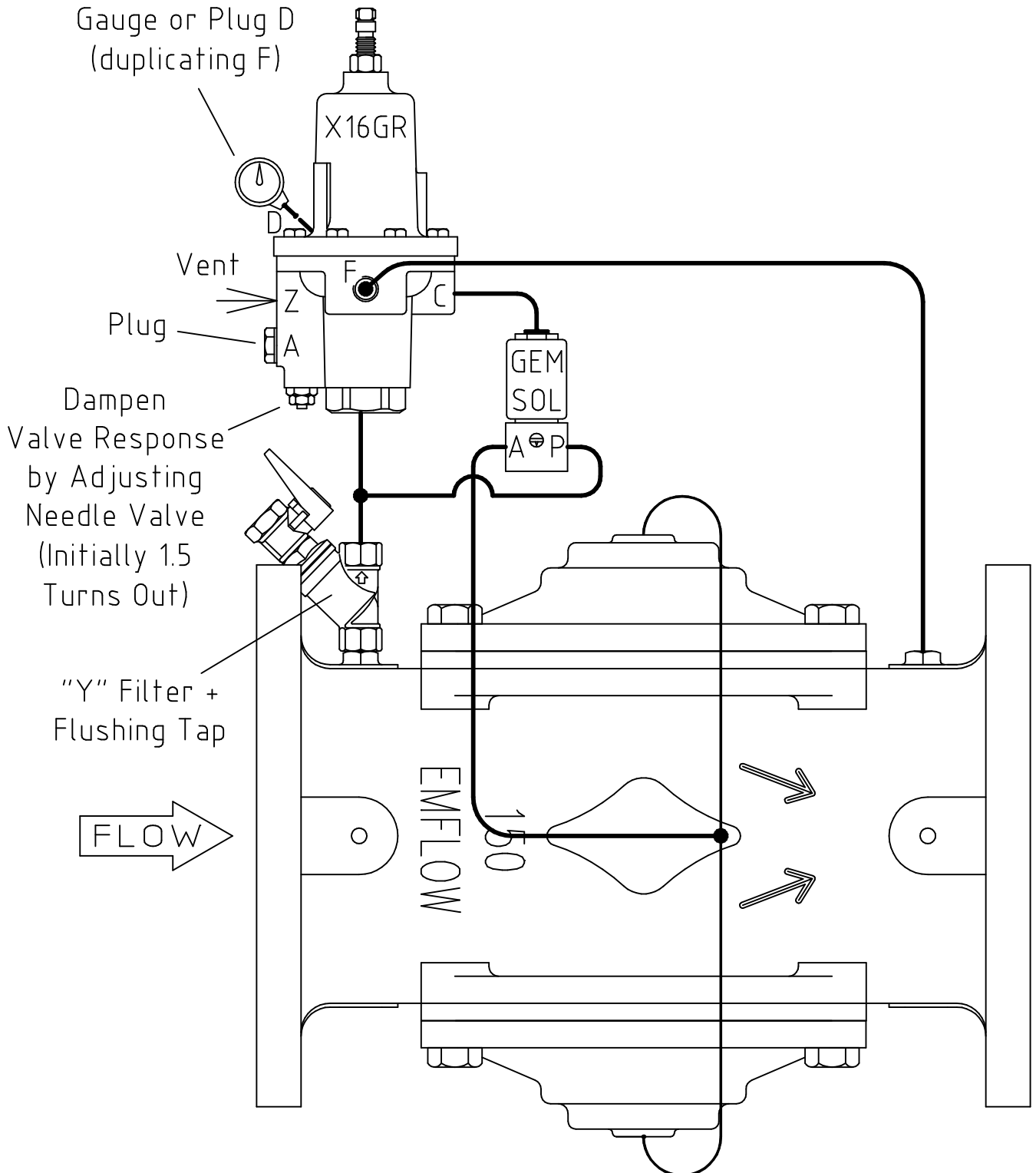




#215

PMB 51 Mannum
South Australia 5238
ph. (08) 8570 4251
fax. (08) 8570 4180

Electric, Pressure Reducing, Normally Open Valve
Solenoid ~ Baccara, Gem-Sol, 3-N/O Base
Pilot ~ Bermad, Brass, 3 Way, #X-16-G-R

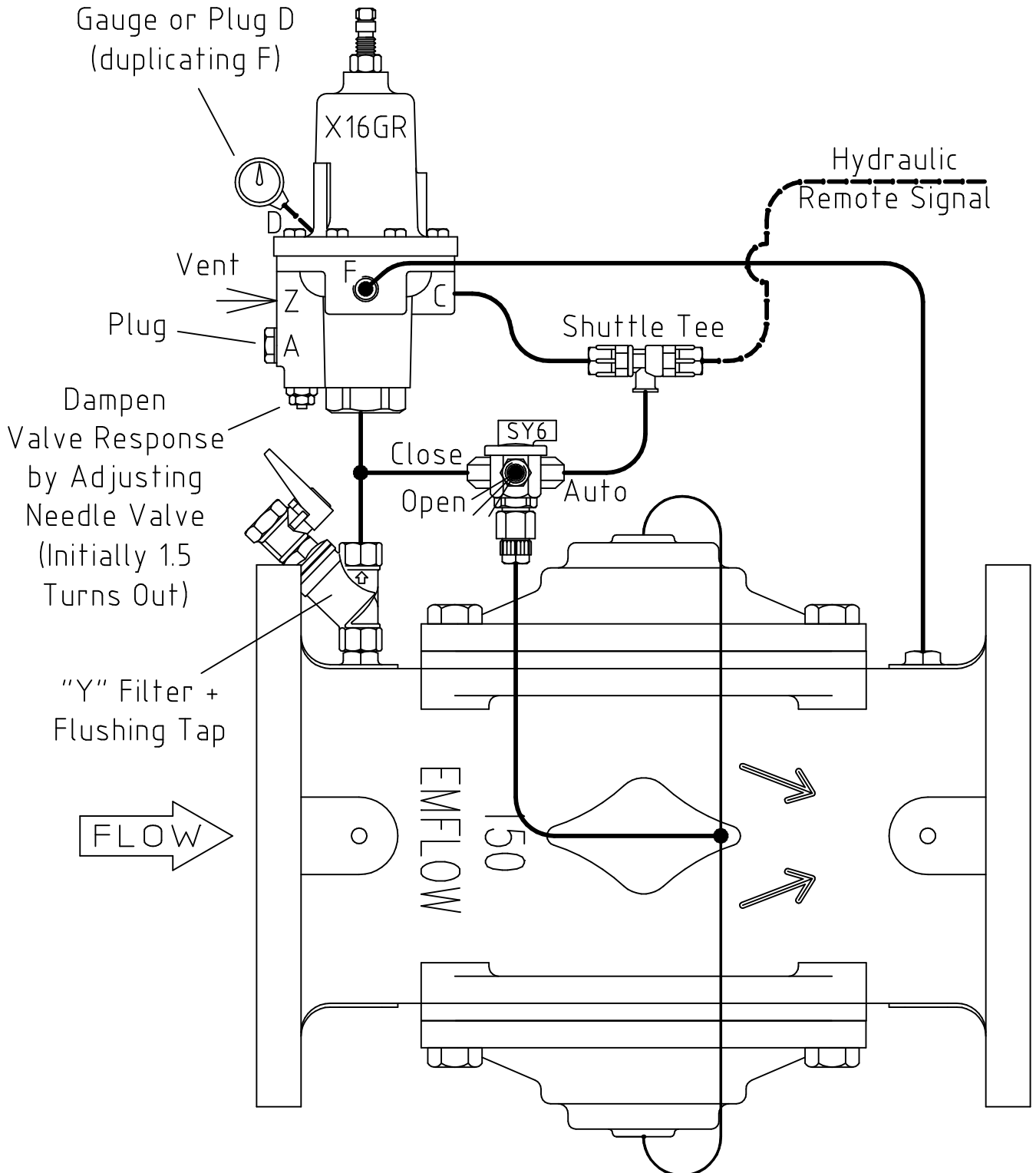




#216

PMB 51 Mannum
South Australia 5238
ph. (08) 8570 4251
fax. (08) 8570 4180

Hydraulic, Pressure Reducing, Normally Open Valve
Relay ~ Shuttle Tee
Pilot ~ Bermad, Brass, 3 Way, #X-16-G-R



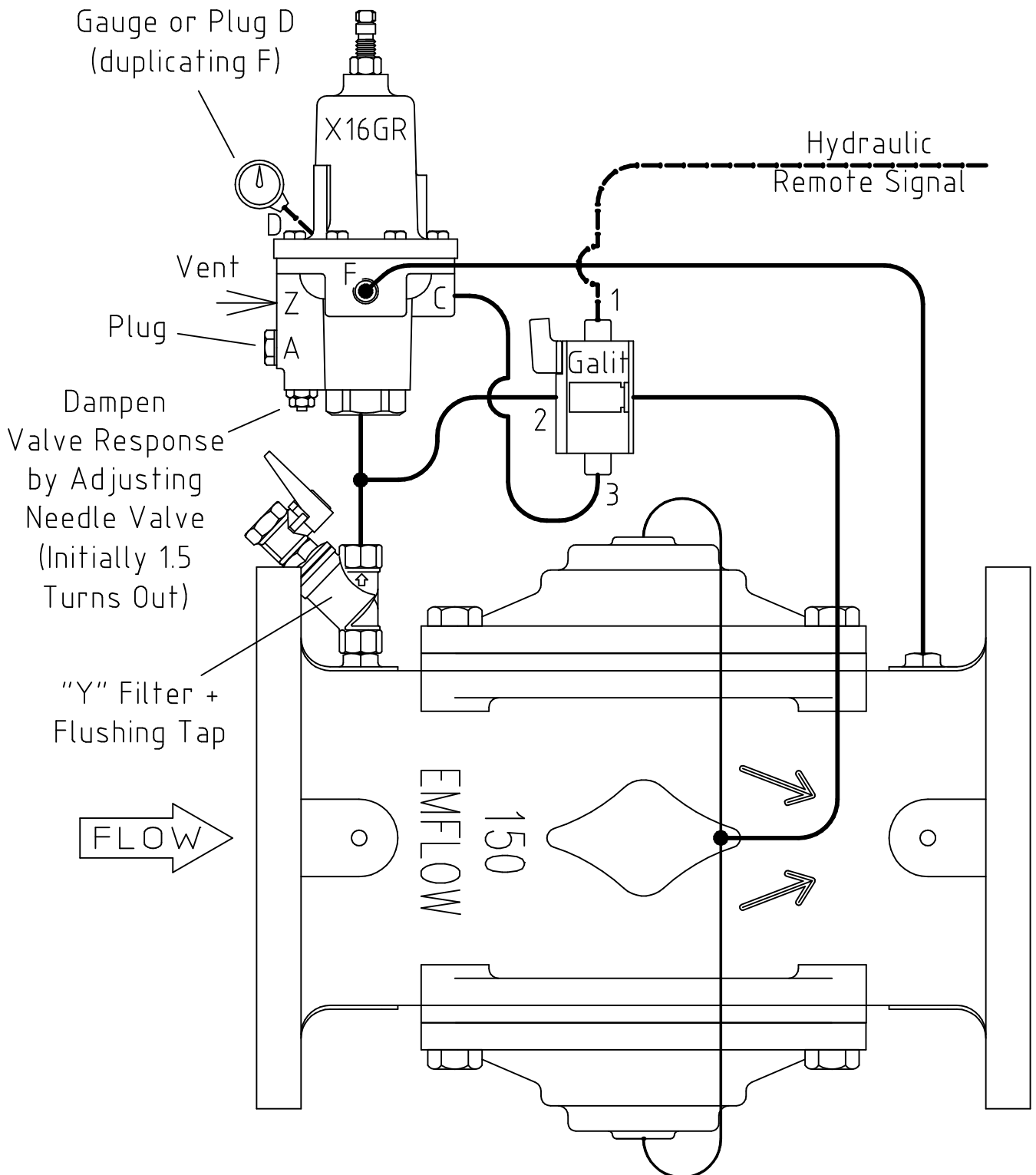


#217

PMB 51 Mannum
South Australia 5238
ph. (08) 8570 4251
fax. (08) 8570 4180

Hydraulic, Pressure Reducing, Normally Closed Valve
Relay ~ Galit

Pilot ~ Bermad, Brass, 3 Way, #X-16-G-R

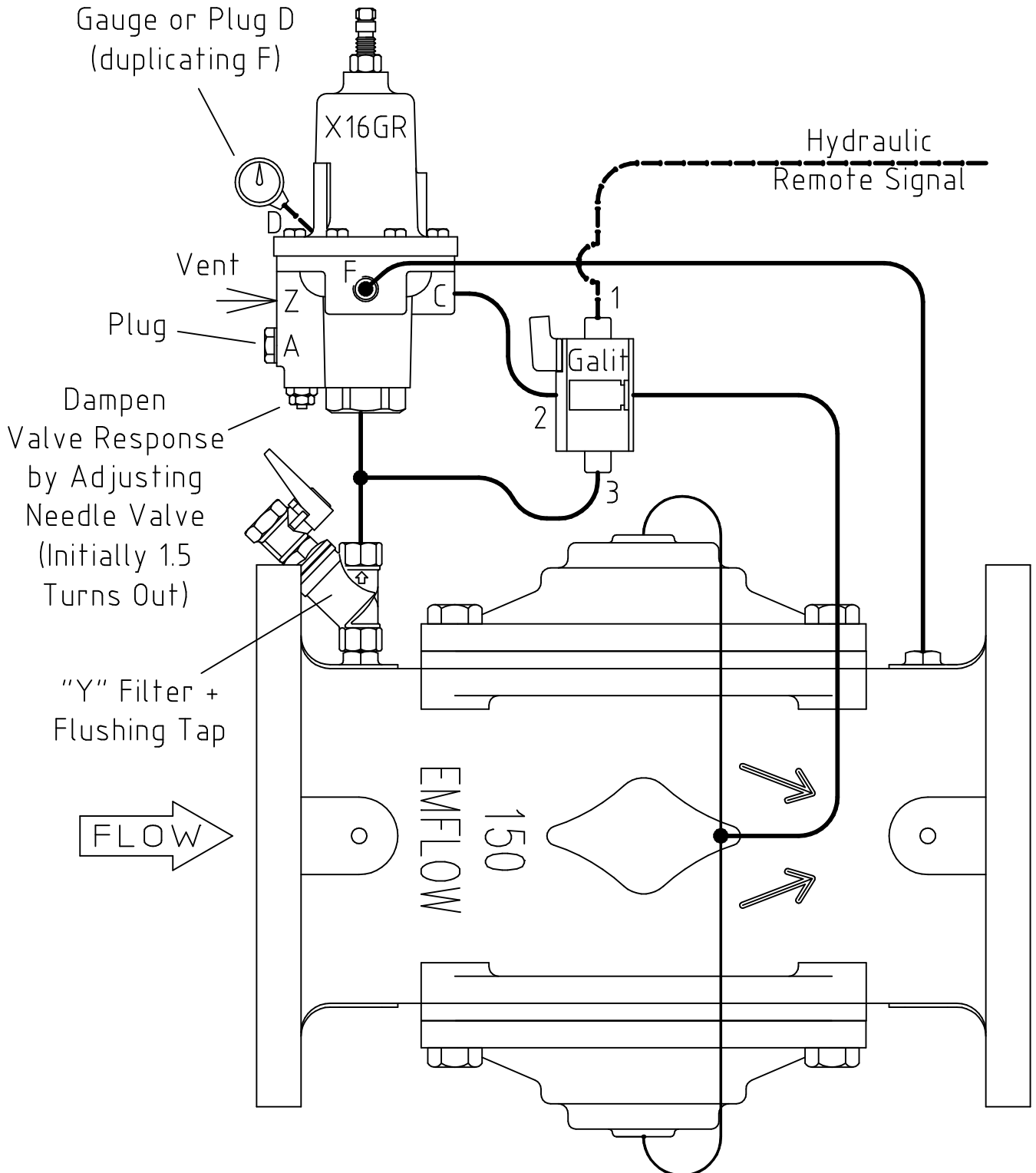




#218

PMB 51 Mannum
South Australia 5238
ph. (08) 8570 4251
fax. (08) 8570 4180

Hydraulic, Pressure Reducing, Normally Open Valve
Relay ~ Galit
Pilot ~ Bermad, Brass, 3 Way, #X-16-G-R





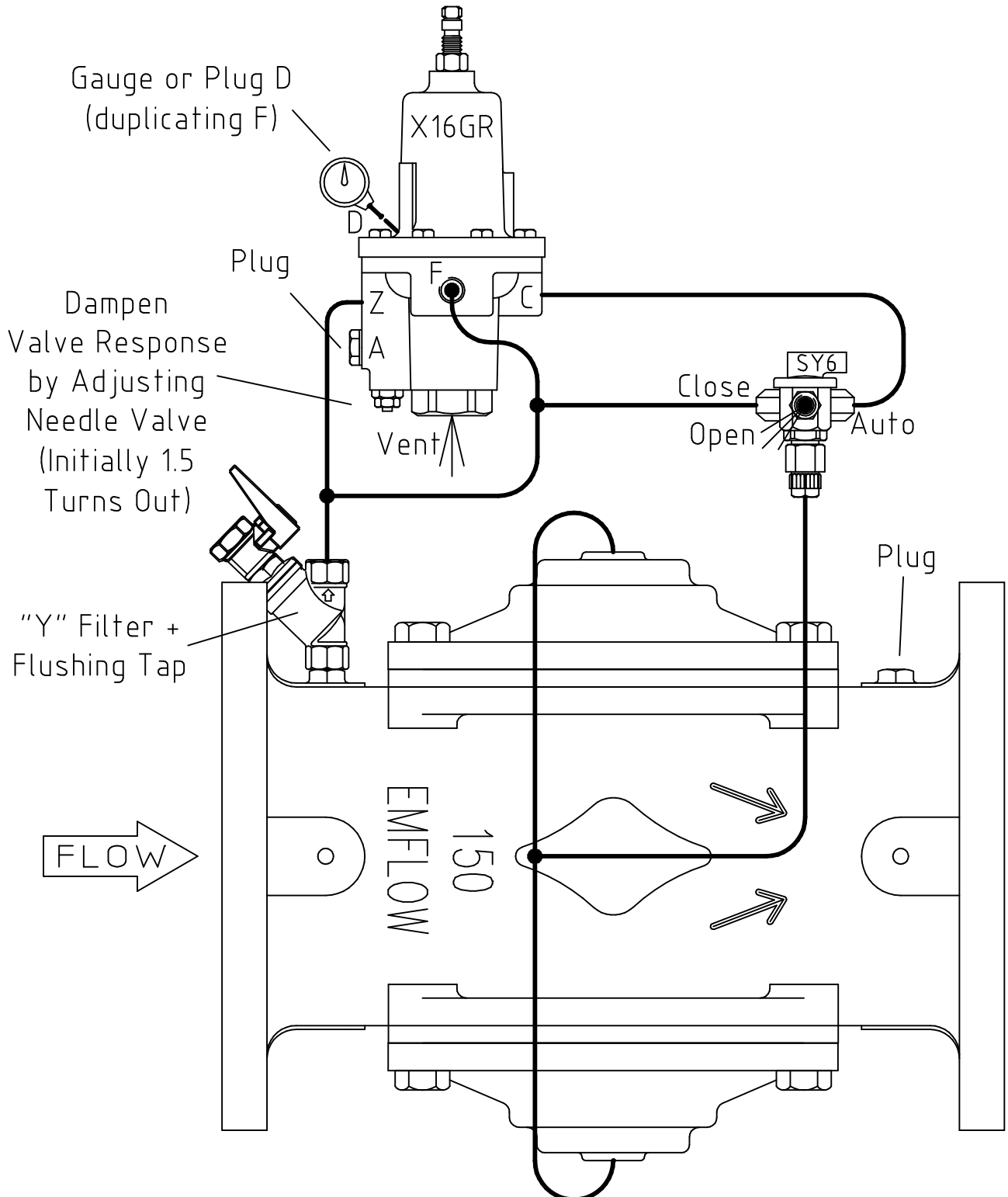
#231

PMB 51 Mannum
South Australia 5238
ph. (08) 8570 4251
fax. (08) 8570 4180

Manual, Pressure Sustaining Valve

Tap ~ SY6

Pilot ~ Bermad, Brass, 3 Way, #X-16-G-R

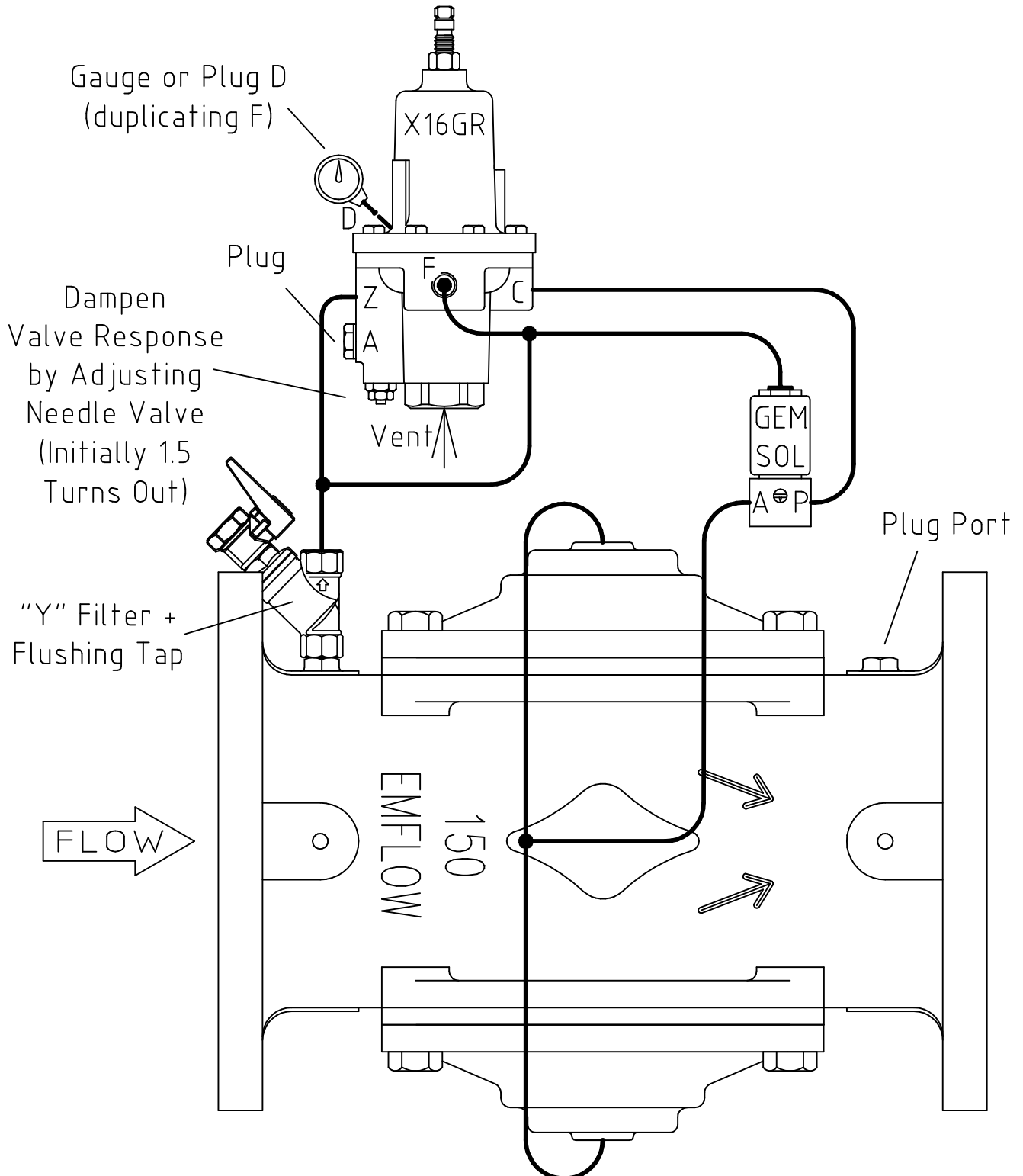




#232

PMB 51 Mannum
South Australia 5238
ph. (08) 8570 4251
fax. (08) 8570 4180

Electric, Pressure Sustaining, Normally Closed Valve
Solenoid ~ Baccara, Gem-Sol, 3-N/O Base
Pilot ~ Bermad, Brass, 3 Way, #X-16-G-R

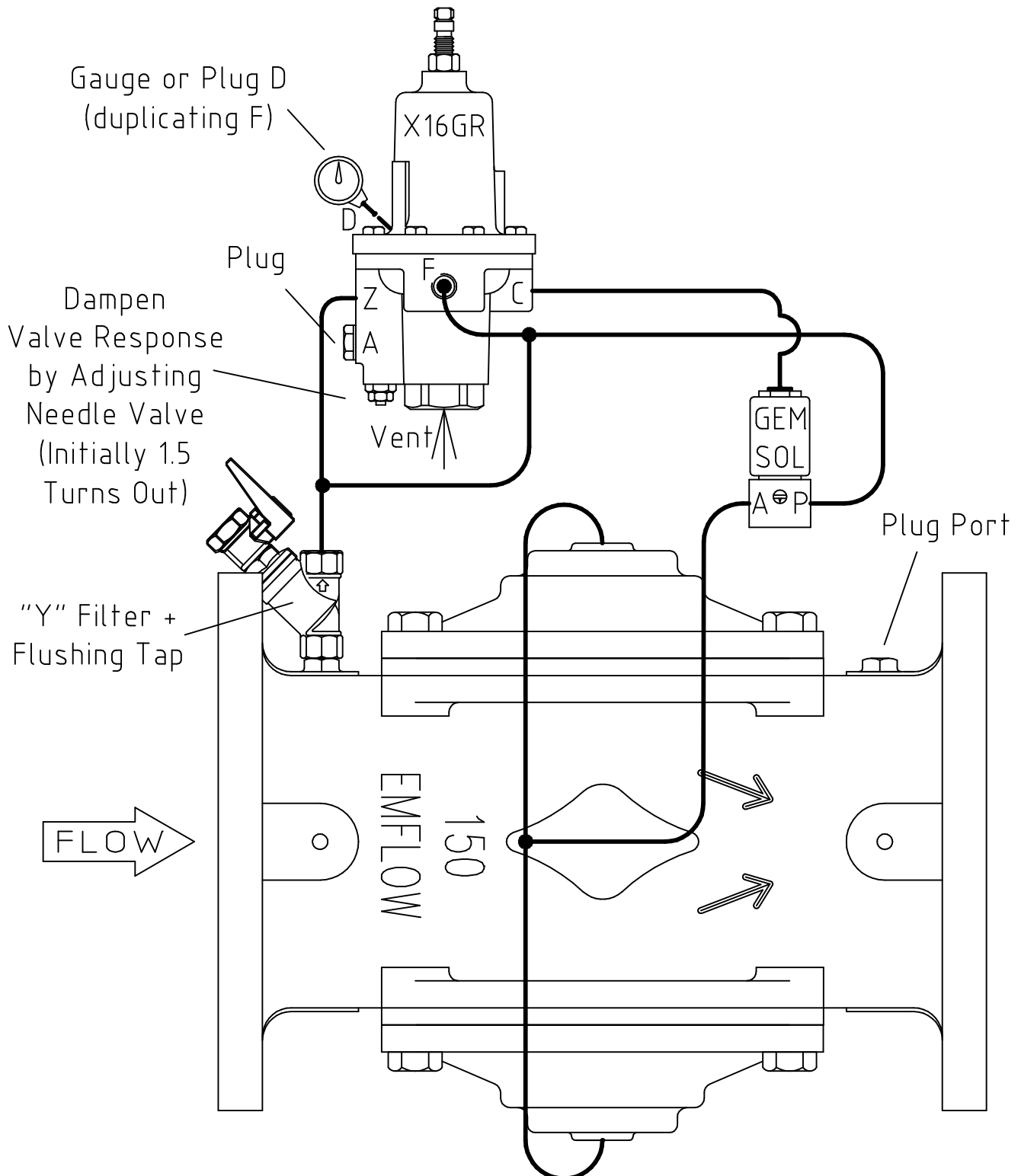




#233

PMB 51 Mannum
South Australia 5238
ph. (08) 8570 4251
fax. (08) 8570 4180

Electric, Pressure Sustaining, Normally Open Valve
Solenoid ~ Baccara, Gem-Sol, 3-N/O Base
Pilot ~ Bermad, Brass, 3 Way, #X-16-G-R

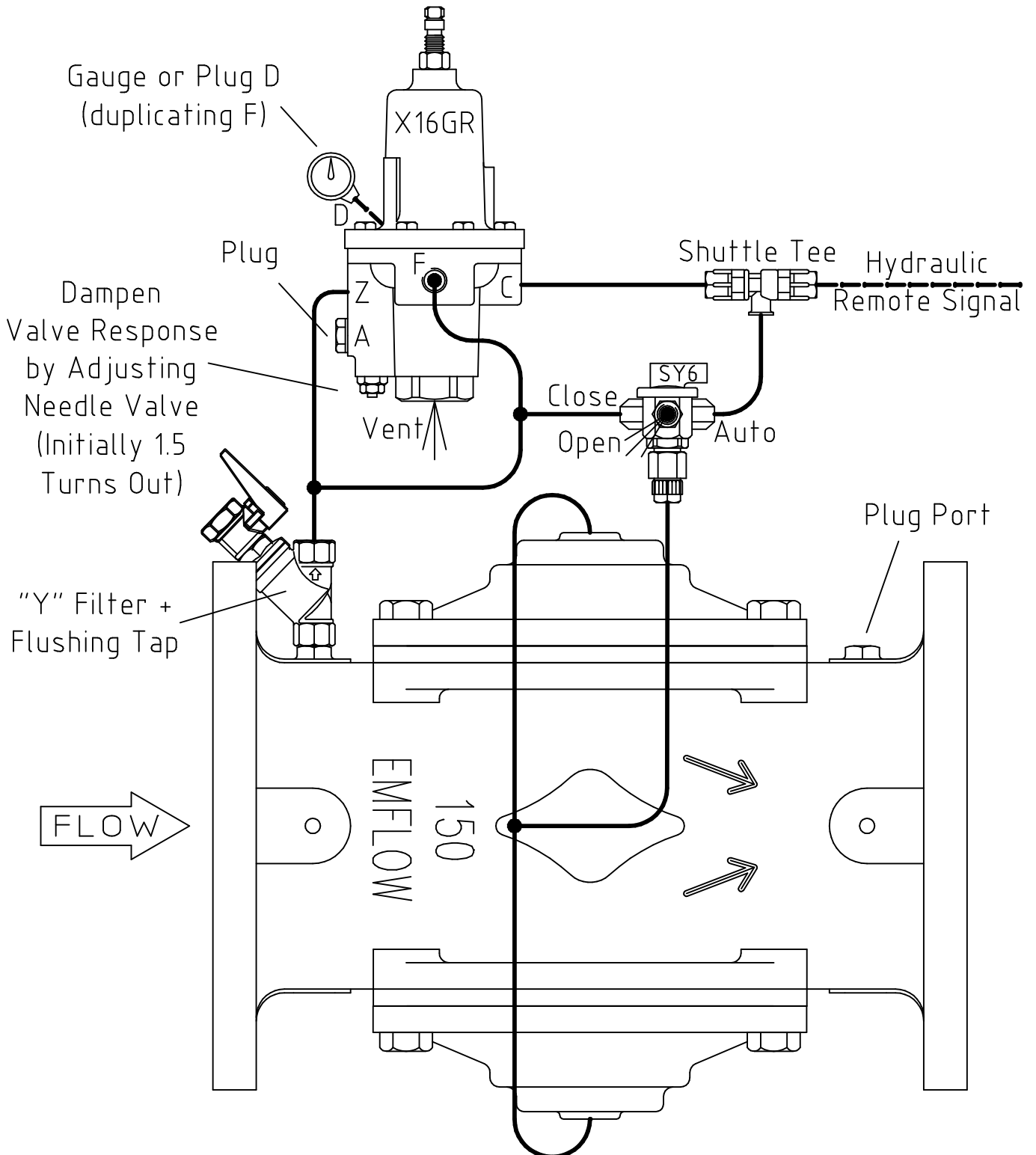




#234

PMB 51 Mannum
South Australia 5238
ph. (08) 8570 4251
fax. (08) 8570 4180

Hydraulic, Pressure Sustaining, Normally Open Valve
Relay ~ Shuttle Tee
Pilot ~ Bermad, Brass, 3 Way, #X-16-G-R

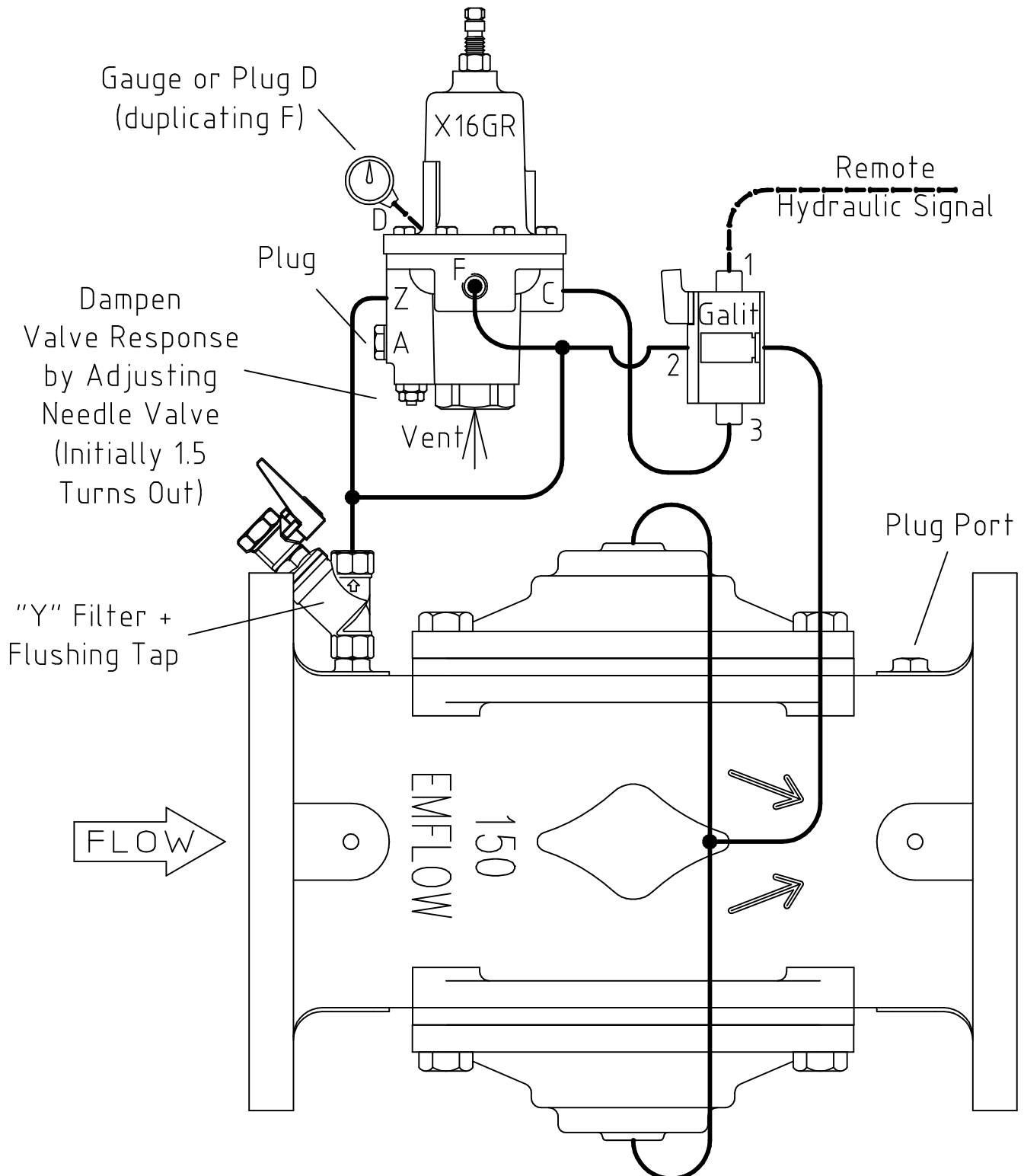




#235

PMB 51 Mannum
South Australia 5238
ph. (08) 8570 4251
fax. (08) 8570 4180

Hydraulic, Pressure Sustaining, Normally Closed Valve
Relay ~ Galit
Pilot ~ Bermad, Brass, 3 Way, #X-16-G-R

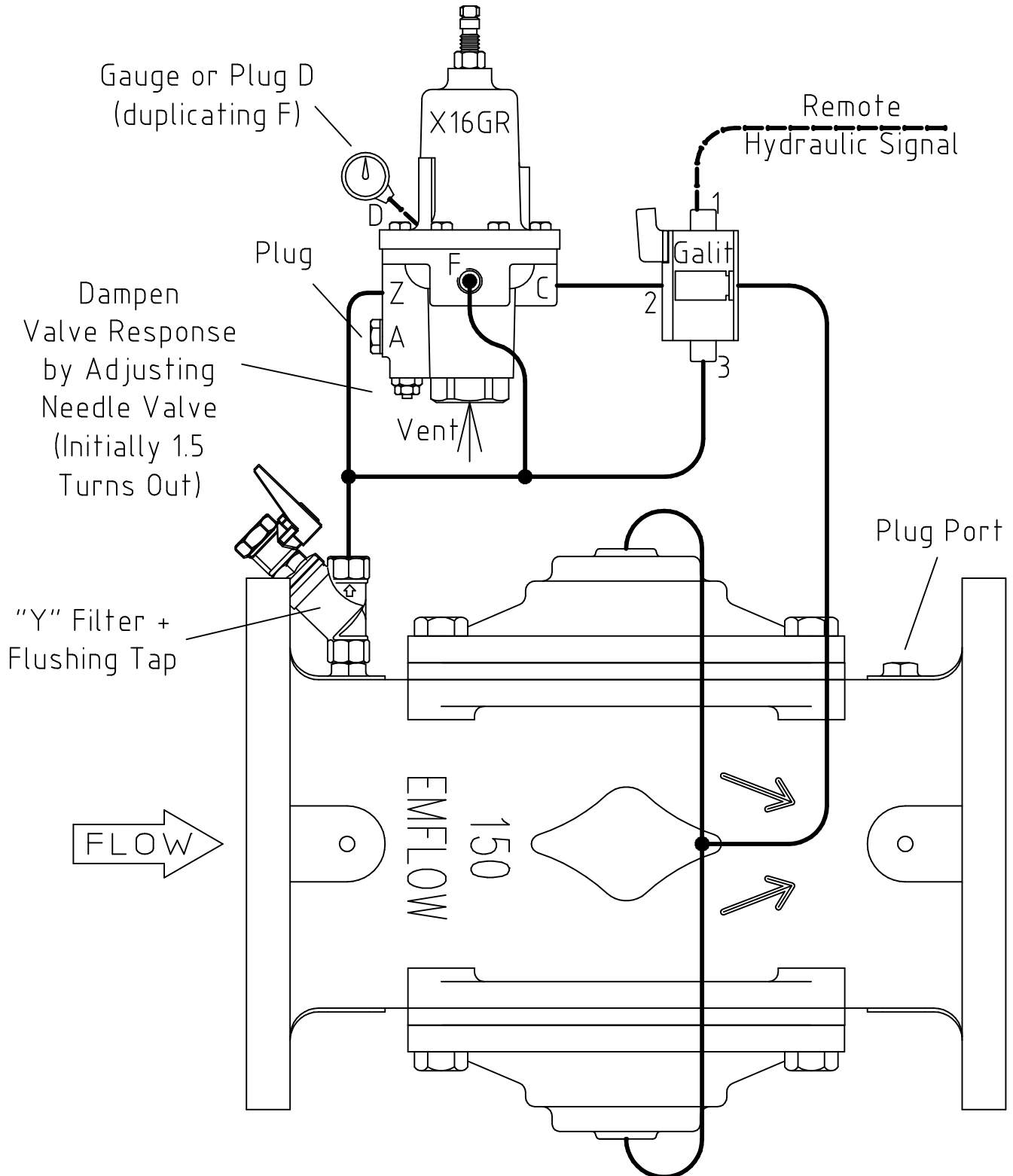




#236

PMB 51 Mannum
South Australia 5238
ph. (08) 8570 4251
fax. (08) 8570 4180

Hydraulic, Pressure Sustaining, Normally Open Valve
Relay ~ Galit
Pilot ~ Bermad, Brass, 3 Way, #X-16-G-R



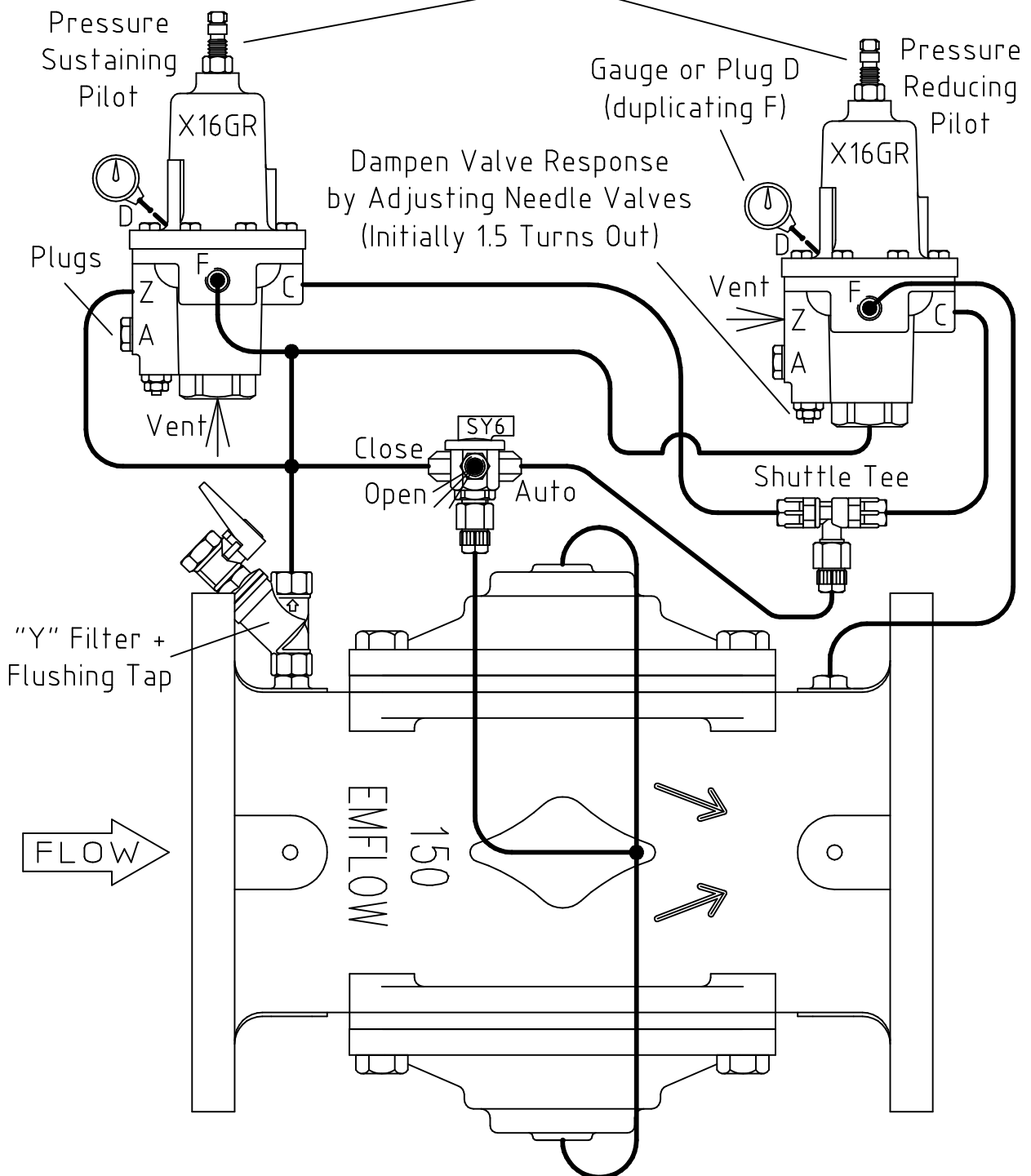


#249

PMB 51 Mannum
South Australia 5238
ph. (08) 8570 4251
fax. (08) 8570 4180

Manual, Pressure Sustaining & Reducing Valve
Tap ~ SY6
Pilots ~ Bermad, Brass, 3 Way, #X-16-G-R

Set Pressure Sustaining LOWER
than Pressure Reducing



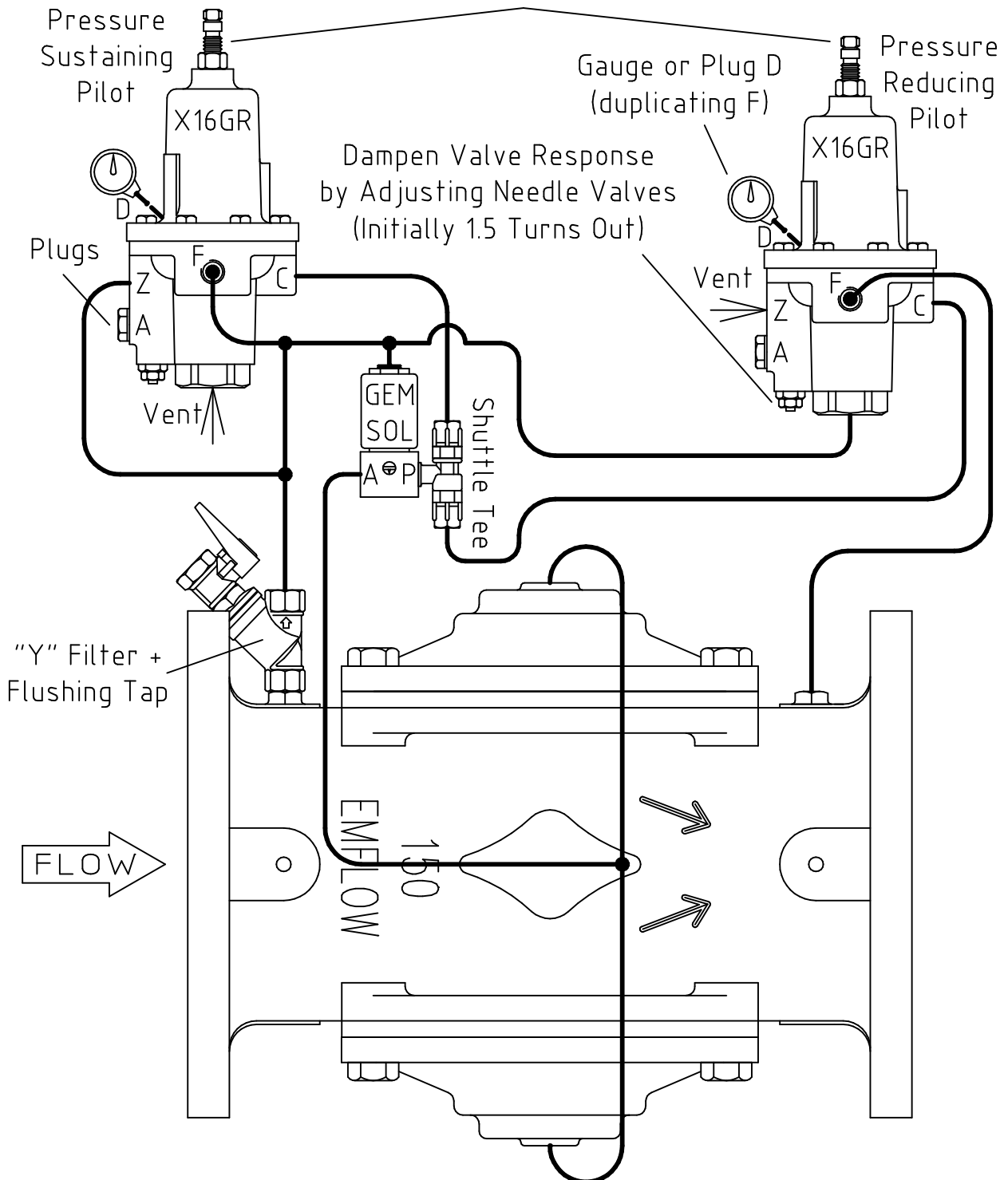


#250

PMB 51 Mannum
South Australia 5238
ph. (08) 8570 4251
fax. (08) 8570 4180

Hydraulic, Pressure Sustaining & Reducing, N/C Valve
Solenoid ~ Baccara, Gem-Sol, 3-N/O Base
Pilots ~ Bermad, Brass, 3 Way, #X-16-G-R

Set Pressure Sustaining LOWER
than Pressure Reducing



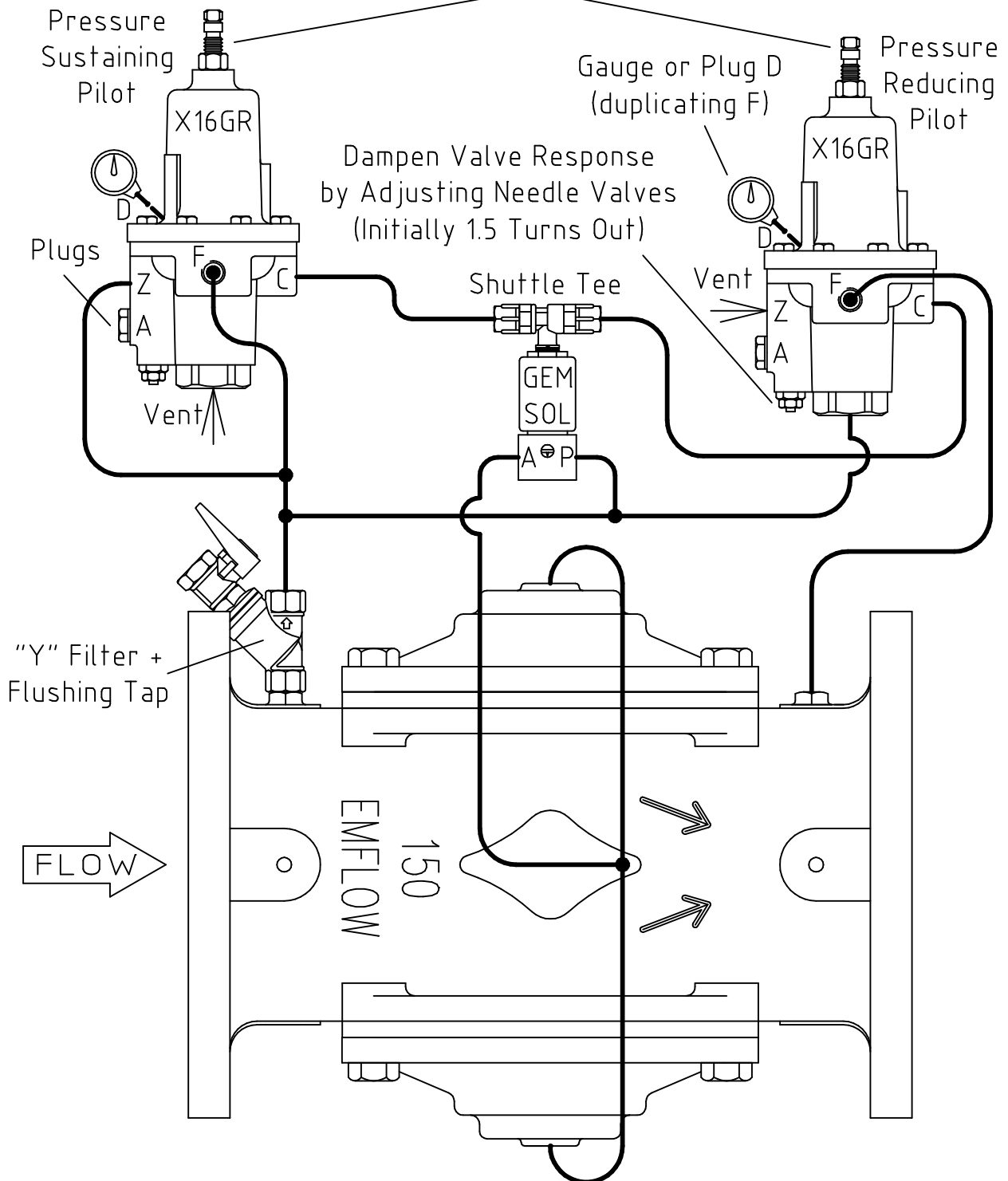


#251

PMB 51 Mannum
South Australia 5238
ph. (08) 8570 4251
fax. (08) 8570 4180

Hydraulic, Pressure Sustaining & Reducing, N/O Valve
Solenoid ~ Baccara, Gem-Sol, 3-N/O Base
Pilots ~ Bermad, Brass, 3 Way, #X-16-G-R

Set Pressure Sustaining LOWER
than Pressure Reducing





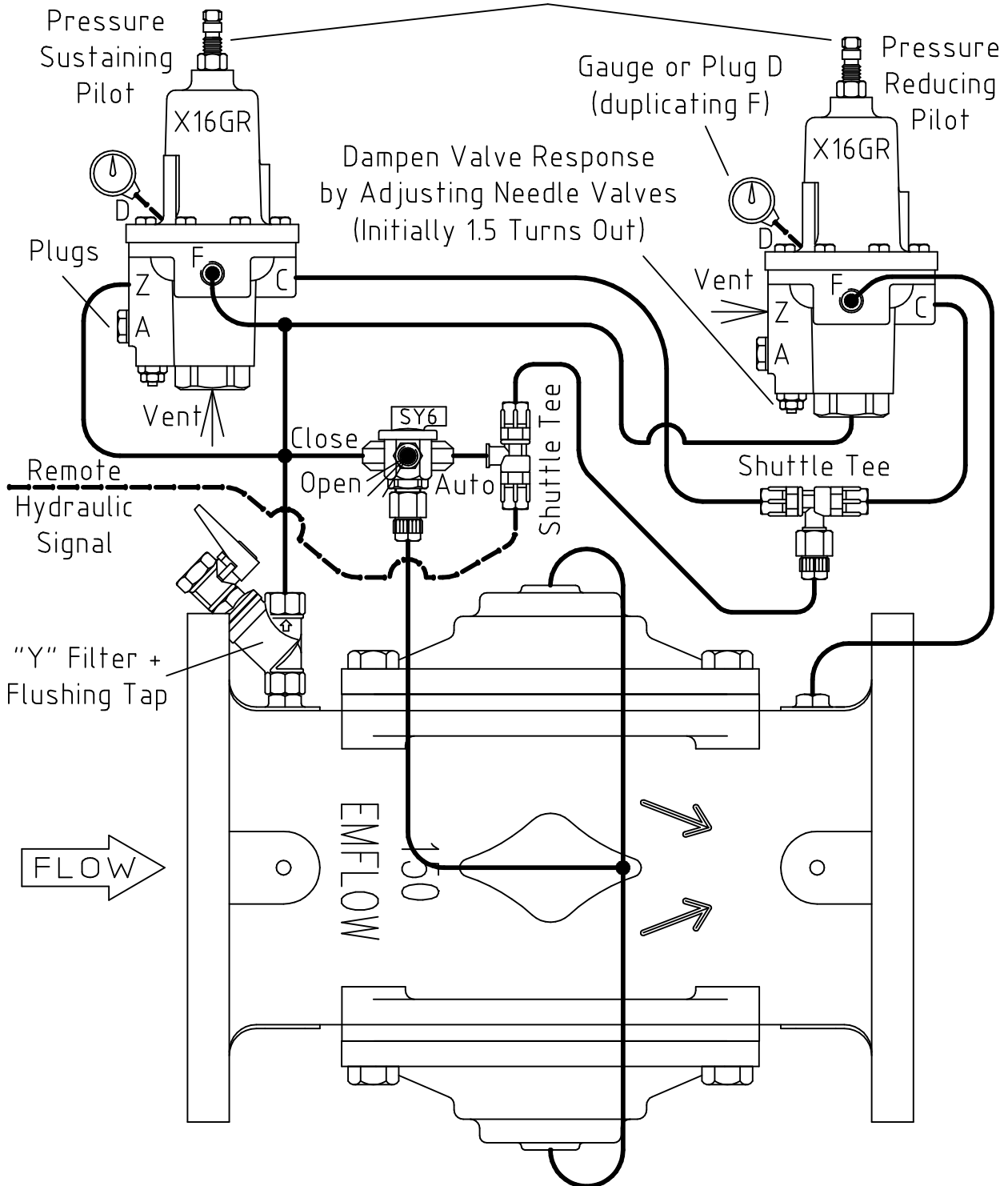
#252

PMB 51 Mannum
South Australia 5238
ph. (08) 8570 4251
fax. (08) 8570 4180

Hydraulic, Pressure Sustaining & Reducing, N/C Valve Relay ~ Shuttle Tee

Pilots ~ Bermad, Brass, 3 Way, #X-16-G-R

Set Pressure Sustaining LOWER
than Pressure Reducing





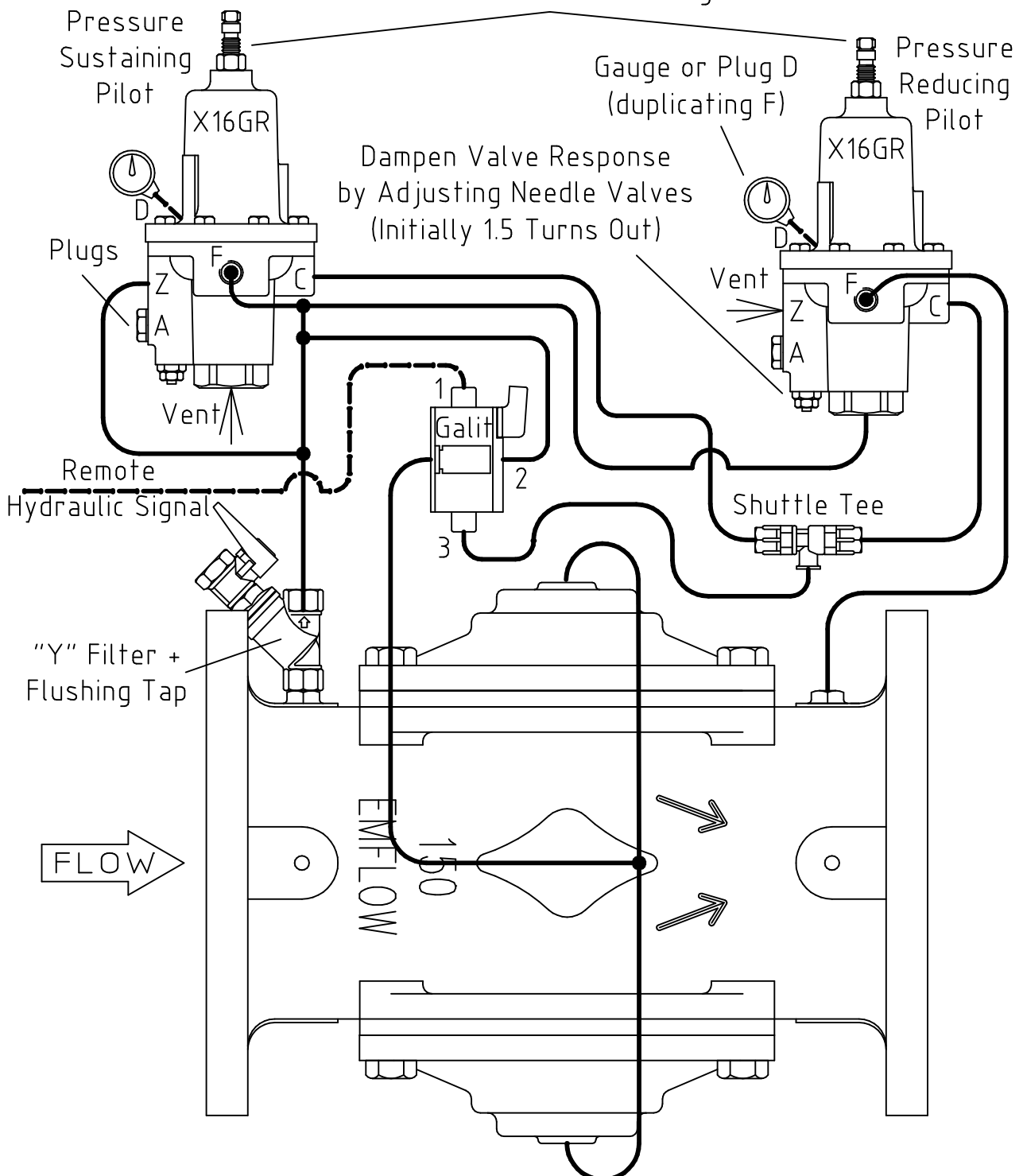
#253

PMB 51 Mannum
South Australia 5238
ph. (08) 8570 4251
fax. (08) 8570 4180

Hydraulic, Pressure Sustaining & Reducing, N/C Valve Relay ~ Galit

Pilots ~ Bermad, Brass, 3 Way, #X-16-G-R

Set Pressure Sustaining LOWER
than Pressure Reducing





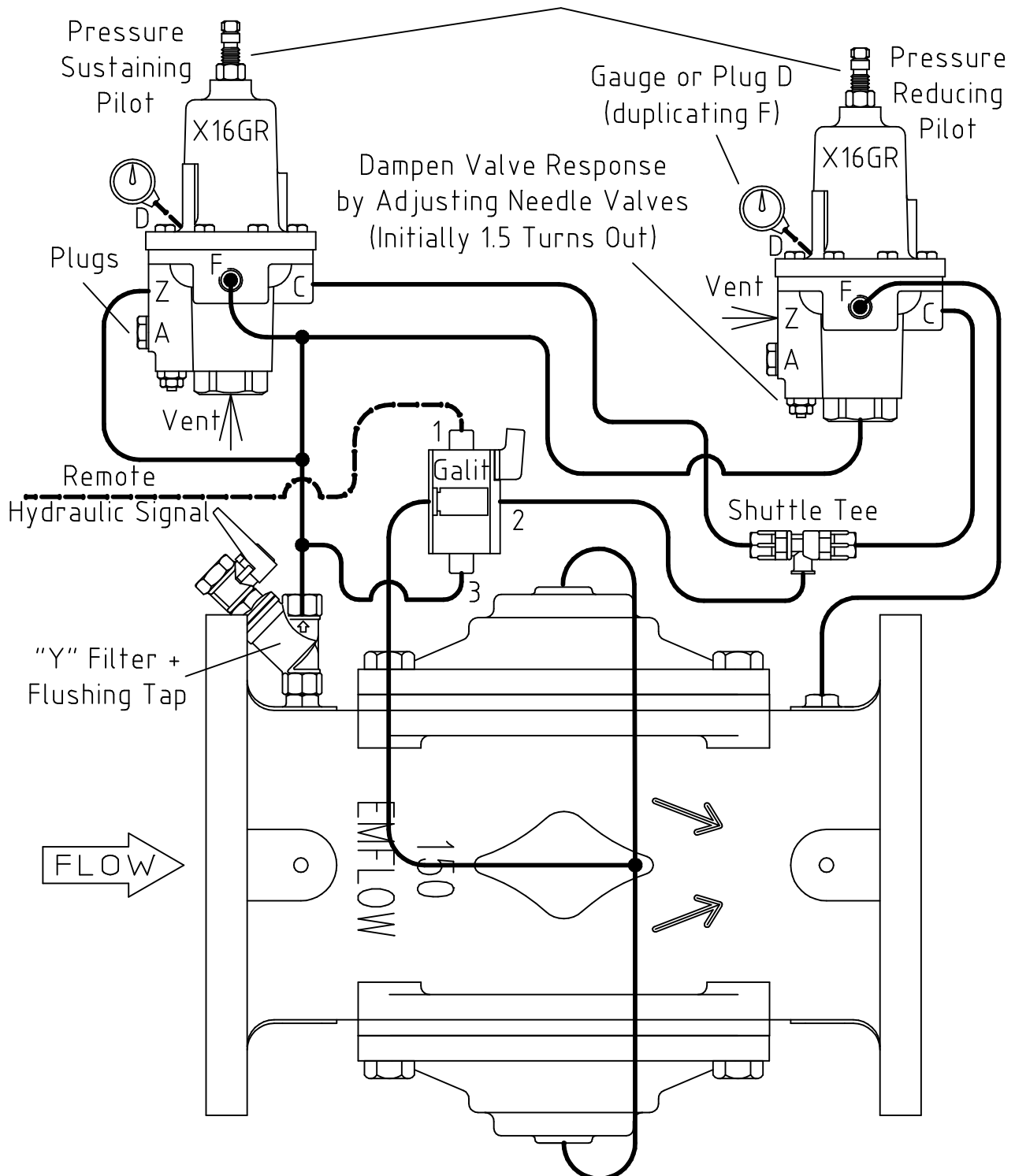
#254

PMB 51 Mannum
South Australia 5238
ph. (08) 8570 4251
fax. (08) 8570 4180

Hydraulic, Pressure Sustaining & Reducing, N/O Valve Relay ~ Galit

Pilots ~ Bermad, Brass, 3 Way, #X-16-G-R

Set Pressure Sustaining LOWER
than Pressure Reducing





#255

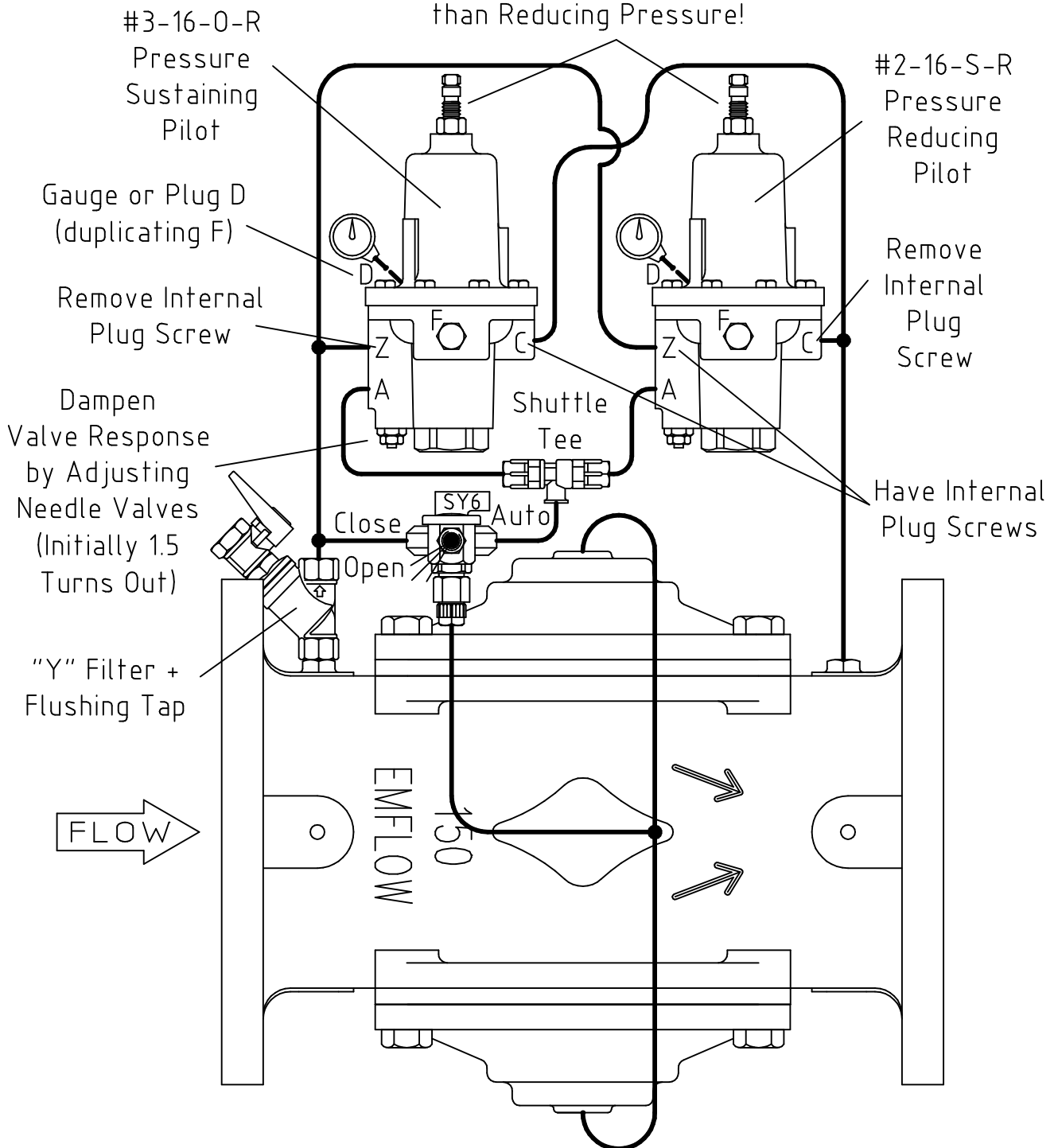
PMB 51 Mannum
South Australia 5238
ph. (08) 8570 4251
fax. (08) 8570 4180

Manual, Pressure Sustaining & Reducing Valve

Tap ~ SY6

Pilots ~ Bermad, Brass 2Way, #2-16-S-R & #3-16-O-R

Set Sustainin Pressure LOWER
than Reducing Pressure!



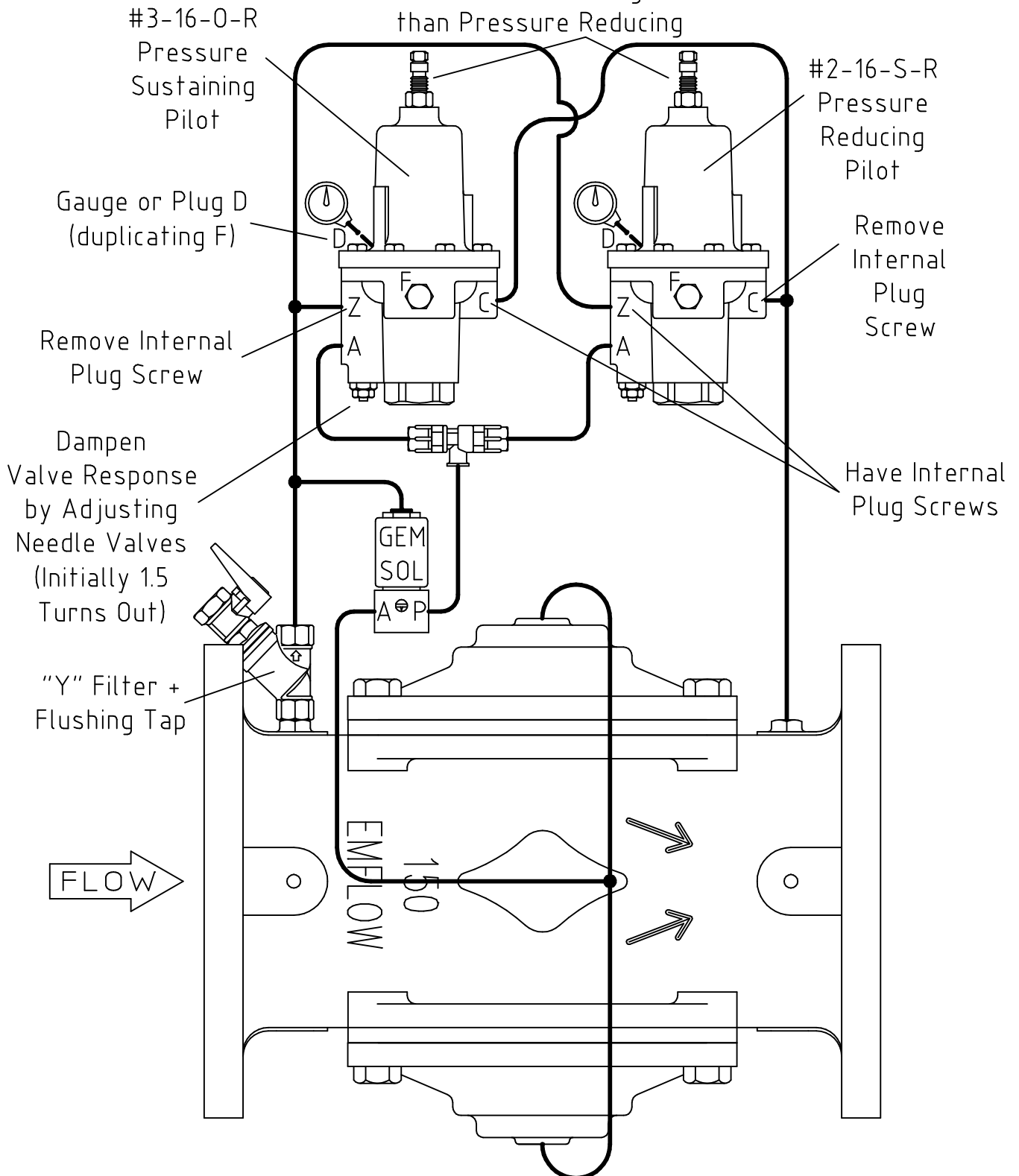


#256

PMB 51 Mannum
South Australia 5238
ph. (08) 8570 4251
fax. (08) 8570 4180

Electric, Pressure Sustaining & Reducing, N/C Valve
Solenoid ~ Baccara, Gem-Sol, 3-N/O Base
Pilots ~ Bermad, Brass 2Way, #2-16-S-R & #3-16-0-R

Set Pressure Sustaining LOWER
than Pressure Reducing



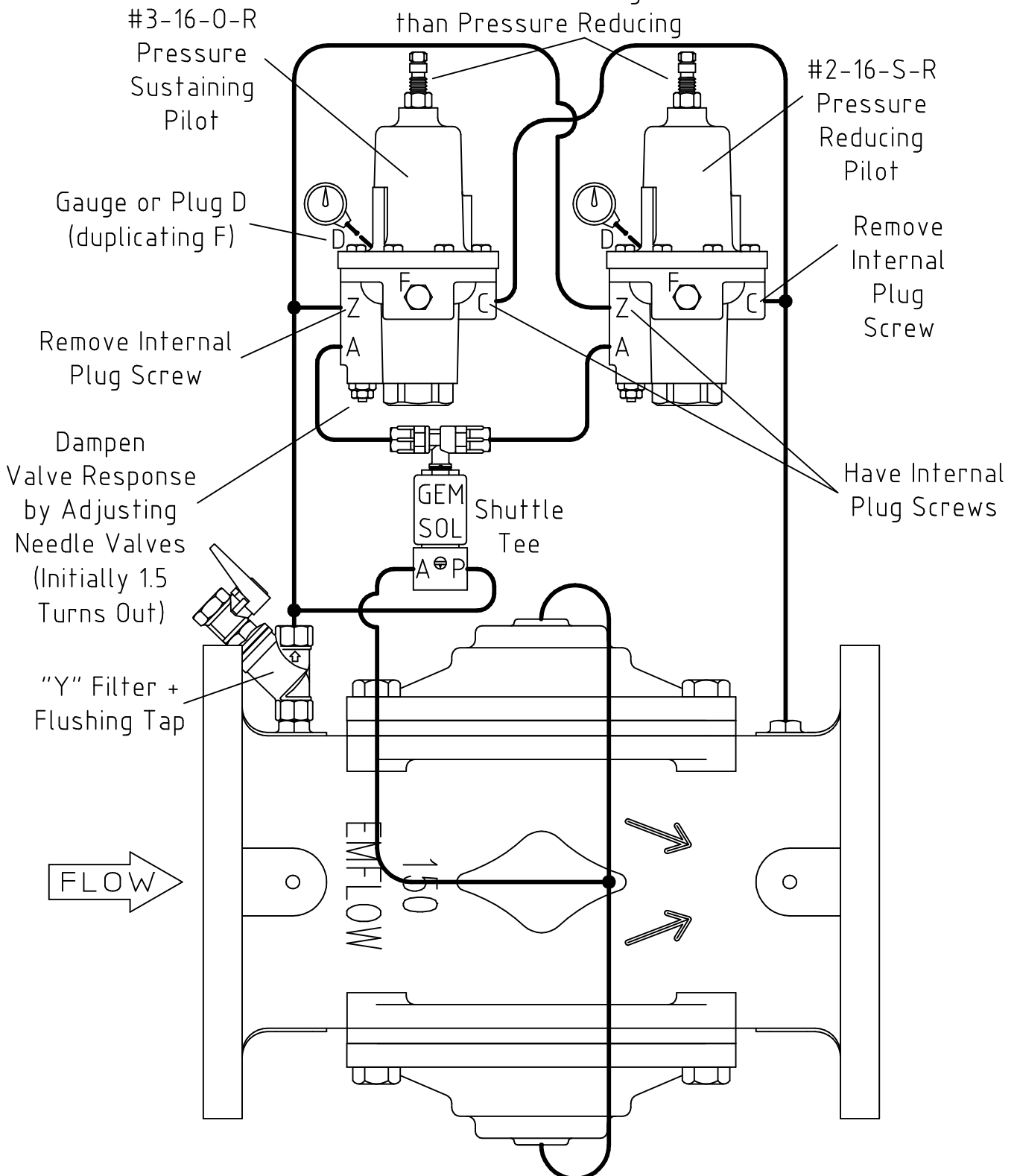


#257

PMB 51 Mannum
South Australia 5238
ph. (08) 8570 4251
fax. (08) 8570 4180

Electric, Pressure Sustaining & Reducing, N/O Valve
Solenoid ~ Baccara, Gem-Sol, 3-N/O Base
Pilots ~ Bermad, Brass 2Way, #2-16-S-R & #3-16-0-R

Set Pressure Sustaining LOWER
than Pressure Reducing





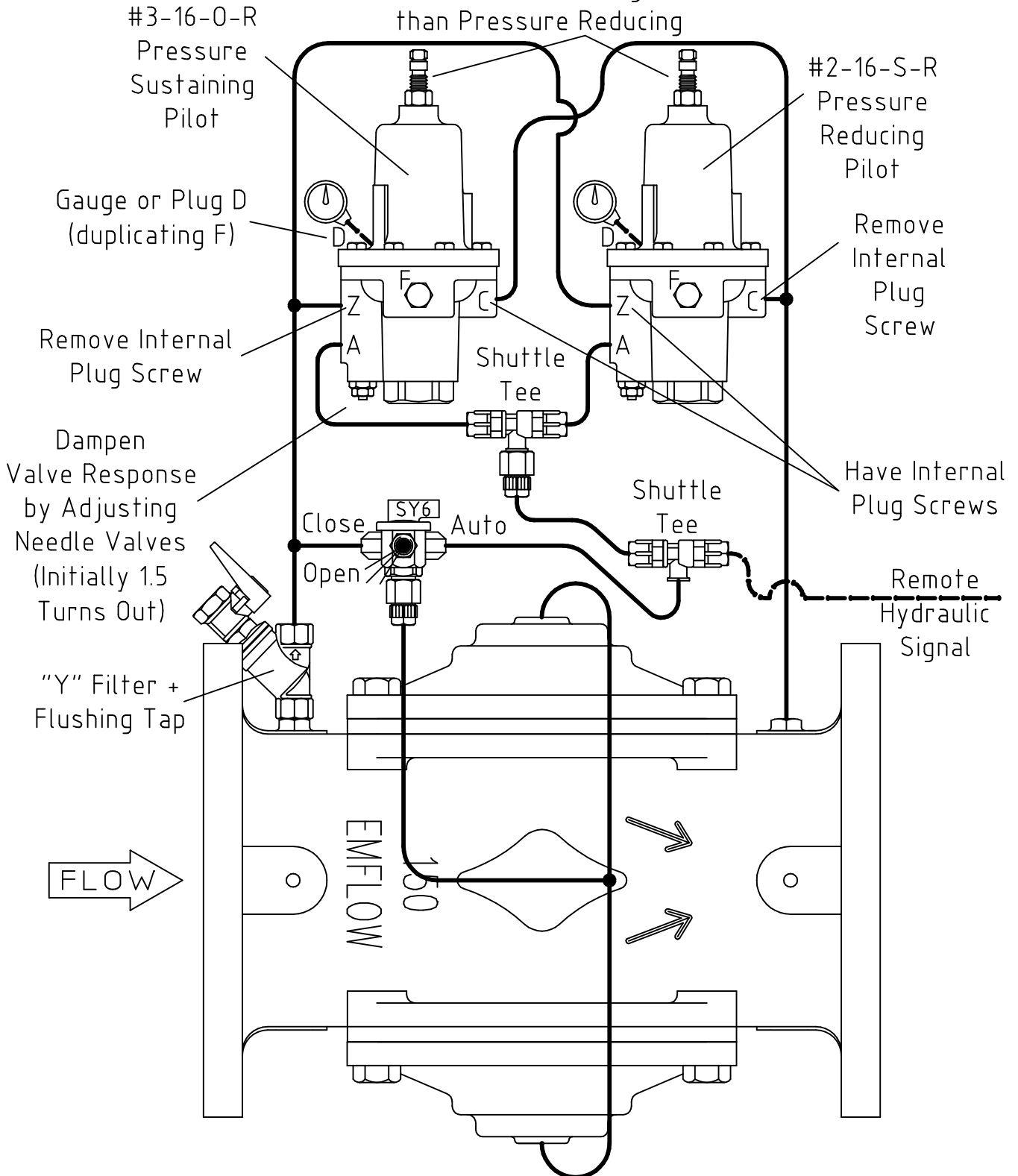
#258

PMB 51 Mannum
South Australia 5238
ph. (08) 8570 4251
fax. (08) 8570 4180

Hydraulic, Pressure Sustaining & Reducing, N/O Valve
Relay ~ Shuttle Tee

Pilots ~ Bermad, Brass 2Way, #2-16-S-R & #3-16-O-R

Set Pressure Sustaining LOWER
than Pressure Reducing





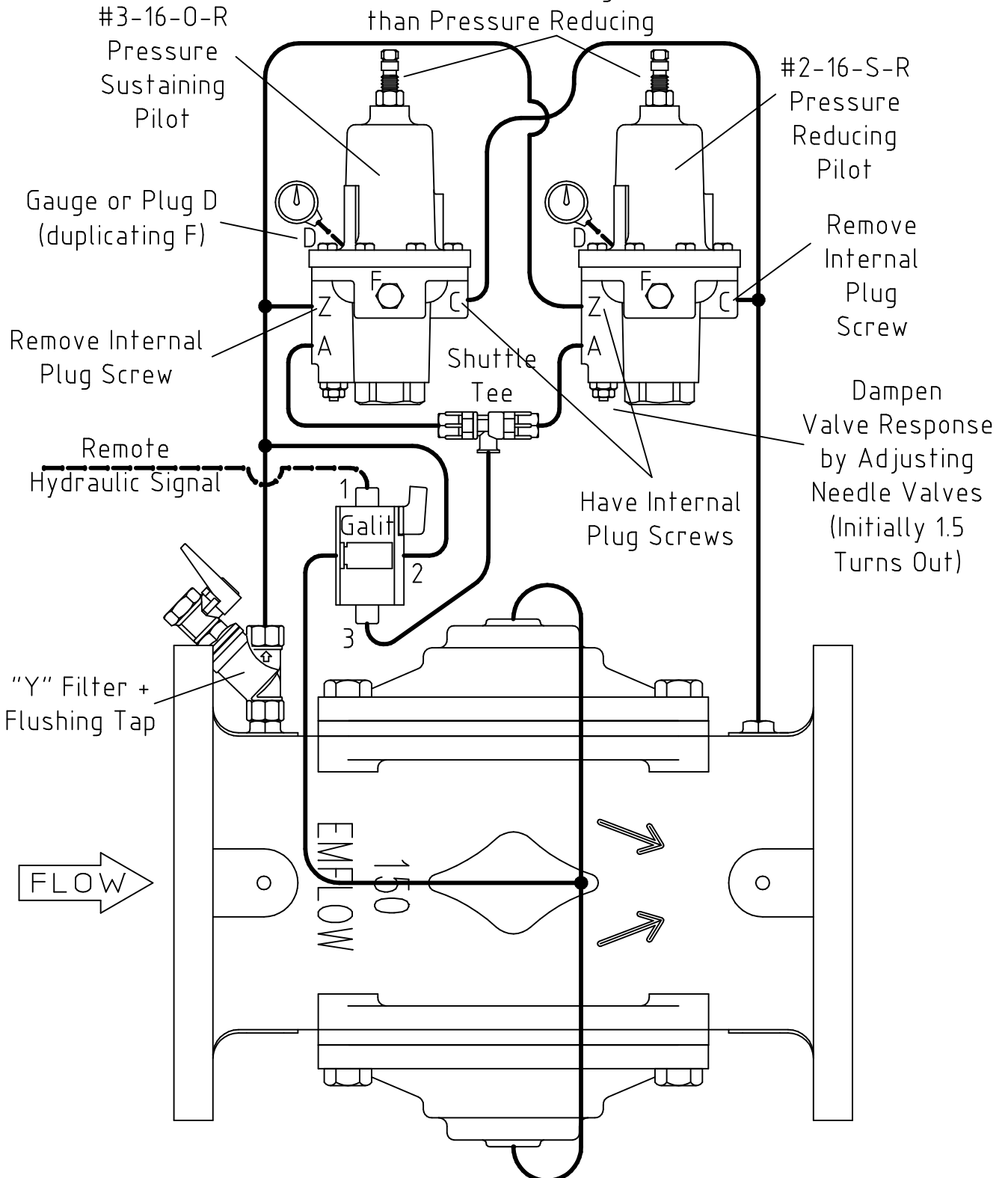
#259

PMB 51 Mannum
South Australia 5238
ph. (08) 8570 4251
fax. (08) 8570 4180

Hydraulic, Pressure Sustaining & Reducing, N/C Valve Relay ~ Galit

Pilots ~ Bermad, Brass 2Way, #2-16-S-R & #3-16-O-R

Set Pressure Sustaining LOWER
than Pressure Reducing





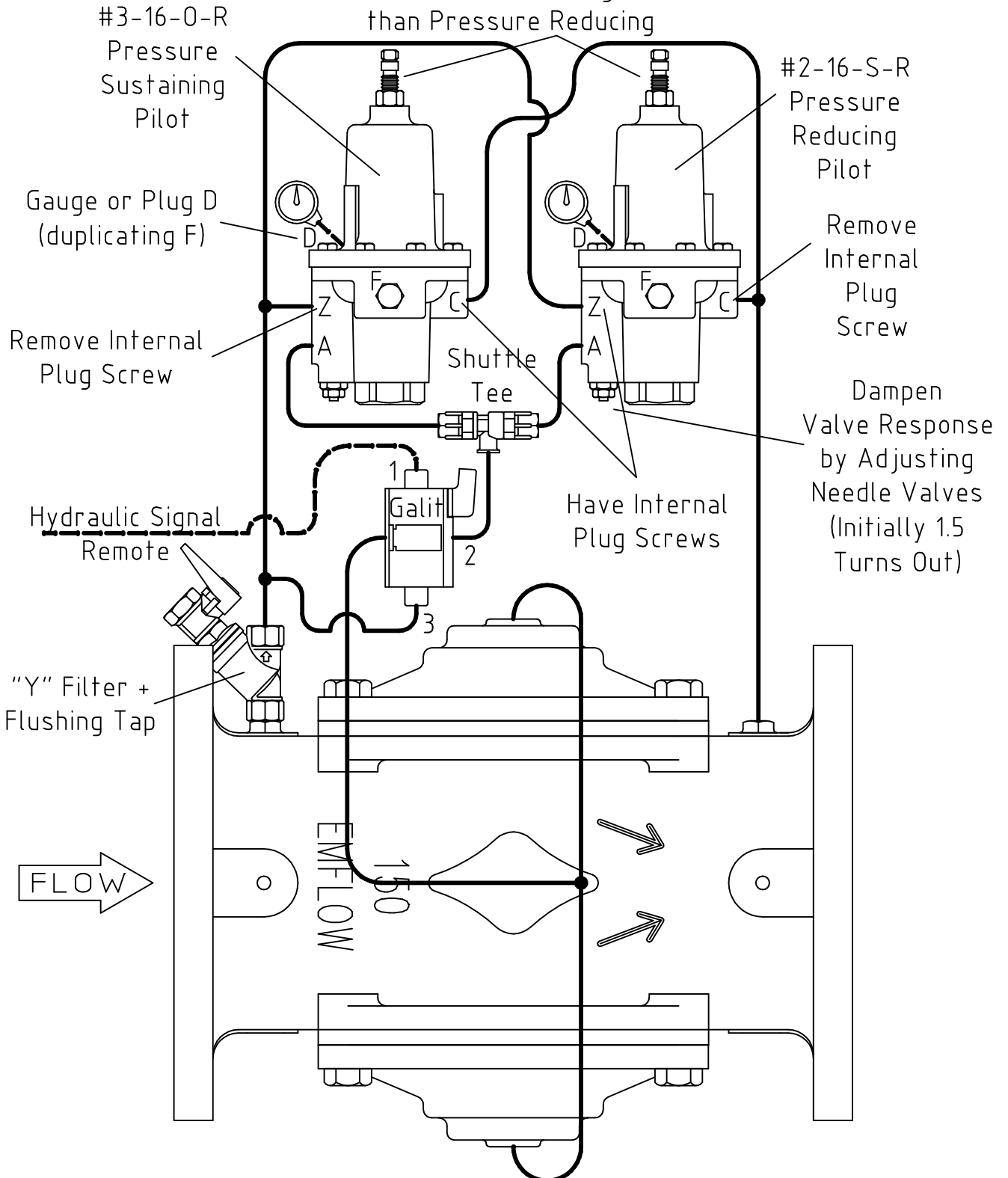
#260

PMB 51 Mannum
South Australia 5238
ph. (08) 8570 4251
fax. (08) 8570 4180

Hydraulic, Pressure Sustaining & Reducing, N/O Valve Relay ~ Galit

Pilots ~ Bermad, Brass 2Way, #2-16-S-R & #3-16-O-R

Set Pressure Sustaining LOWER
than Pressure Reducing

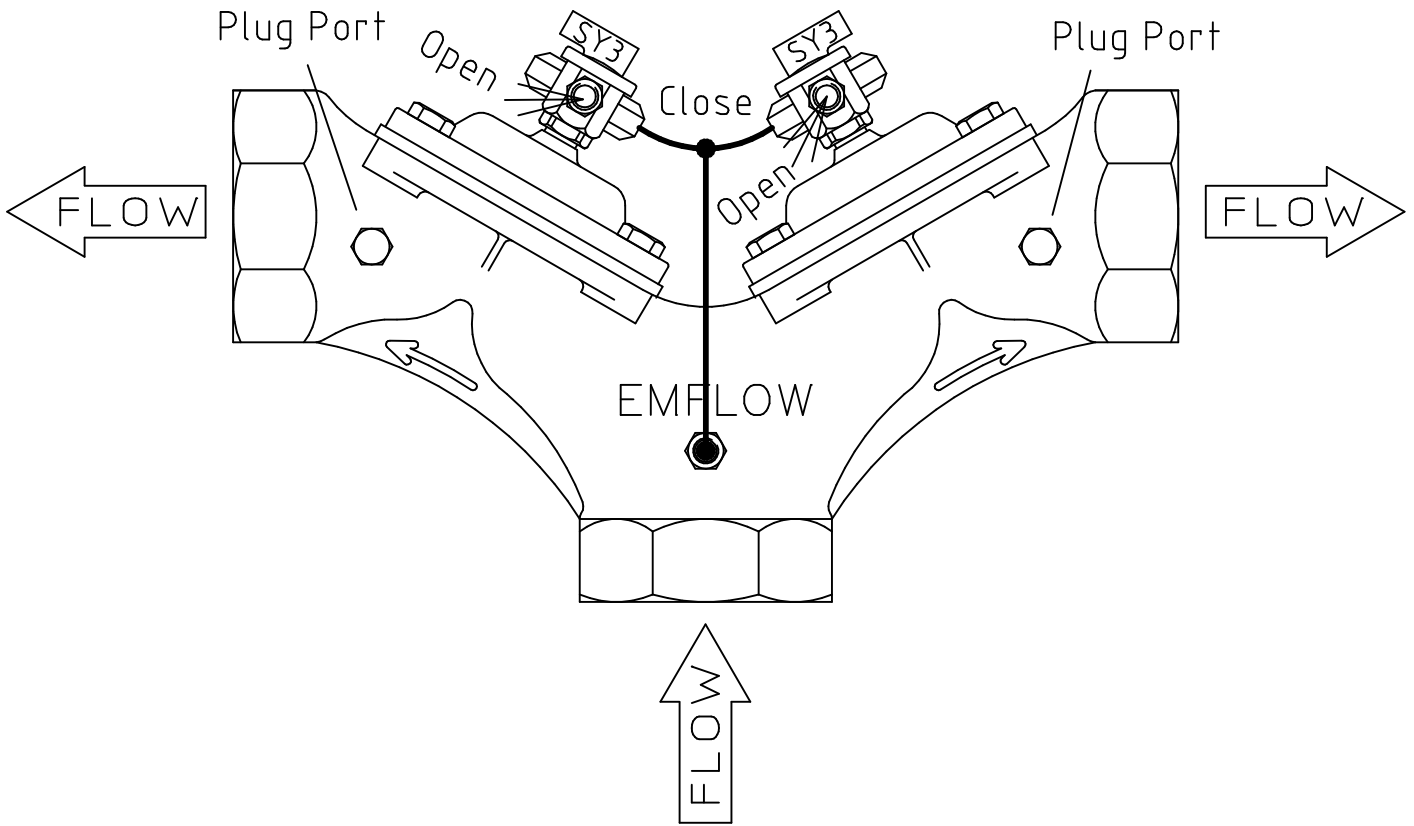




#261

PMB 51 Mannum
South Australia 5238
ph. (08) 8570 4251
fax. (08) 8570 4180

Manual Valve
Taps ~ SY3





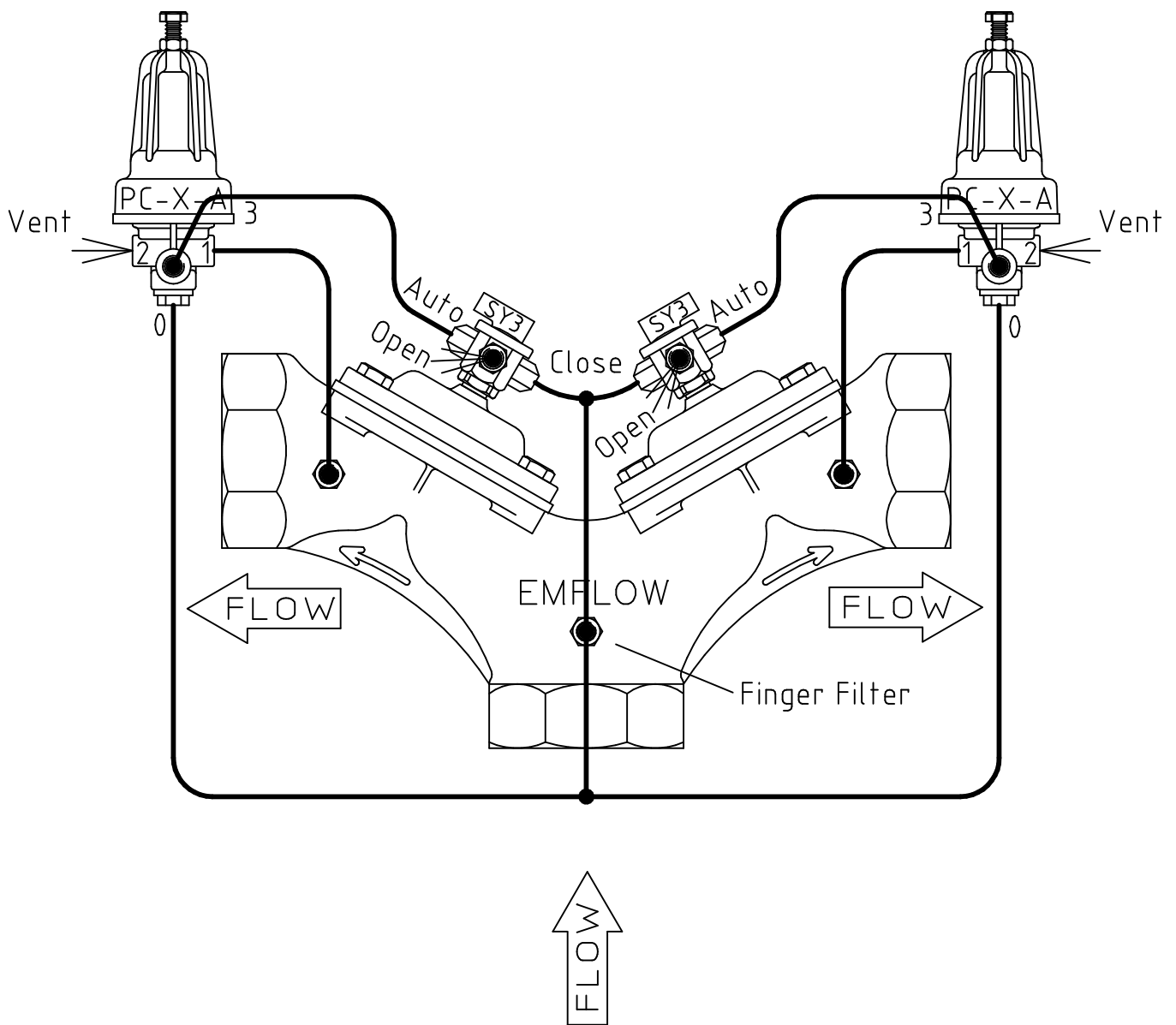
#264

PMB 51 Mannum
South Australia 5238
ph. (08) 8570 4251
fax. (08) 8570 4180

Manual, Pressure Reducing Valve

Taps ~ SY3

Pilots ~ Bermad, Plastic, 3 Way, PC-X-A

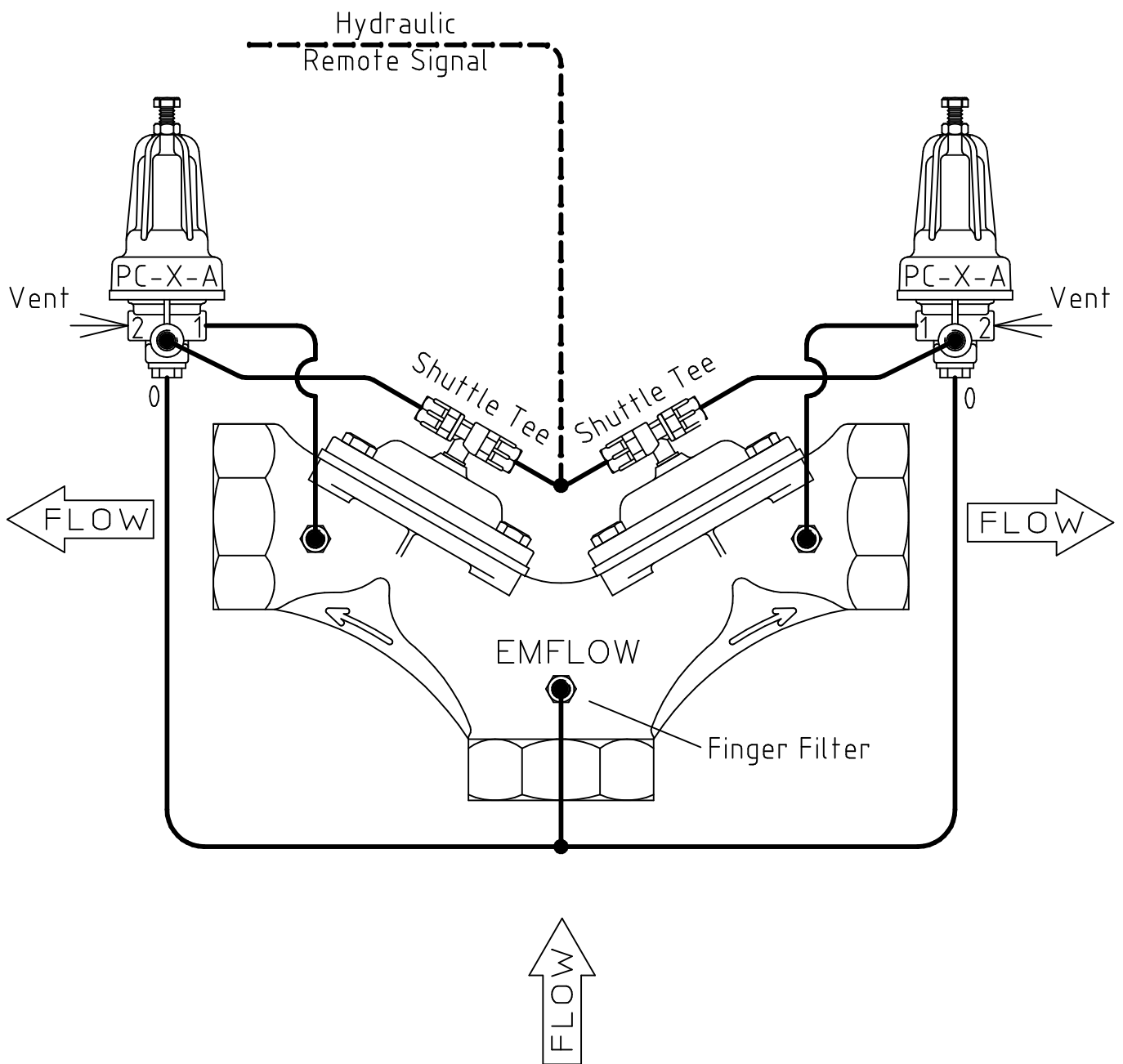




#265

PMB 51 Mannum
South Australia 5238
ph. (08) 8570 4251
fax. (08) 8570 4180

Manual, Pressure Reducing, N/O Valve
Relays ~ Shuttle Tee's
Pilots ~ Bermad, Plastic, 3 Way, PC-X-A





#266

PMB 51 Mannum
South Australia 5238
ph. (08) 8570 4251
fax. (08) 8570 4180

Hydraulic, Pressure Reducing, N/O Valve
Relays ~ Shuttle Tee's
Pilots ~ Bermad, Plastic, 3 Way, PC-X-A

